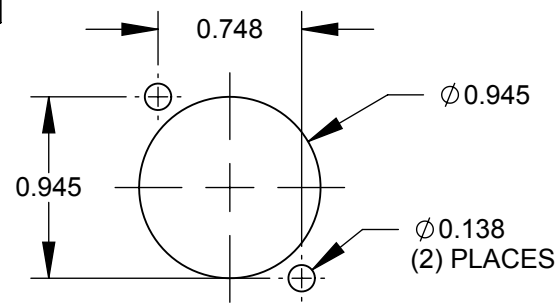
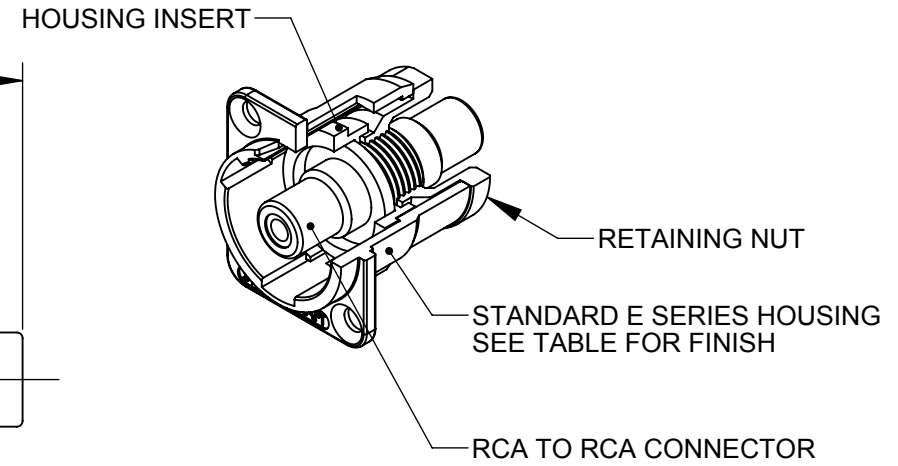
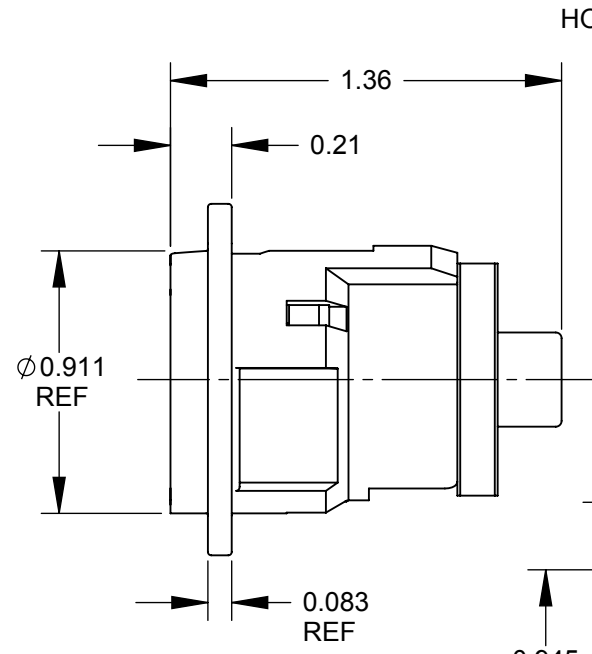


✓  $\phi 0.138$  THRU  
 $\phi 0.230 \times 82^\circ$   
 (2) PLACES REF



RECOMMENDED  
 PANEL CUT-OUT

| PART NUMBER | HOUSING FINISH |
|-------------|----------------|
| EHRCA2X     | NICKEL         |
| EHRCA2BX    | BLACK CHROME   |

NOTES:

- MATERIALS:  
 HOUSING - ZINC ALLOY  
 HOUSING INSERT - THERMOPLASTIC, BLACK  
 RETAINING NUT - THERMOPLASTIC, BLACK  
 RCA CONNECTOR - COPPER ALLOY, NICKEL PLATED
- THIS PRODUCT IS RoHS COMPLIANT.

**CUSTOMER DRAWING**

|           |       |         |    |     |  |       |      |                 |                     |
|-----------|-------|---------|----|-----|--|-------|------|-----------------|---------------------|
|           |       |         |    |     | THIS DRAWING DESCRIBES A DESIGN CONSIDERED PROPRIETARY IN NATURE, DEVELOPED AND MANUFACTURED BY SWITCHCRAFT INC. AND IS RELEASED ON A CONFIDENTIAL BASIS FOR IDENTIFICATION PURPOSES ONLY. |       |      |                 |                     |
|           |       |         |    |     | SIZE   | WIDTH | MULT | LBS/M           | TEMPER              |
|           |       |         |    |     | UNLESS OTHERWISE SPECIFIED   |       |      | FINISH          |                     |
|           |       |         |    |     | 1. ALL DIMENSIONS IN INCHES  |       |      | MATERIAL        |                     |
|           |       |         |    |     | - TWO PLACE DECIMALS $\pm 0.02$  |       |      | SPEC No.        |                     |
|           |       |         |    |     | - THREE PLACE DECIMALS $\pm 0.005$   |       |      | SCALE           |                     |
|           |       |         |    |     | FIRST USED ON  |       |      | 1.5:1           |                     |
| B         | 26415 | 7/17/09 | RS | TJK | DATE DRAWN   | BY    | CHKD | APVD            | <b>Switchcraft®</b> |
| A         | 26104 | 8/31/06 | RF | TJK | 8/31/06  | RF    | RF   | TJK             |                     |
| REVISIONS |       |         |    |     | DO NOT SCALE DRAWING   |       |      |                 |                     |
|           |       |         |    |     | NAME   |       |      | PART No.        |                     |
|           |       |         |    |     | E SERIES CONNECTOR, RCA, FEEDTHROUGH, RoHS   |       |      | EHRCA2_X SERIES |                     |
|           |       |         |    |     |  |       |      | REV             |                     |
|           |       |         |    |     |  |       |      | B               |                     |

## X-ON Electronics

Largest Supplier of Electrical and Electronic Components

*Click to view similar products for [RCA Phono Connectors](#) category:*

*Click to view products by [Switchcraft](#) manufacturer:*

Other Similar products are found below :

[16PJ035](#) [16PJ092-E](#) [16PJ092R-E](#) [174-0151-E](#) [174-0153-E](#) [174-4357-E](#) [174-4358-E](#) [174-4359-E](#) [17PP052](#) [280L](#) [174-0254-E](#) [174-4356-E](#)  
[17PP058](#) [333-0000](#) [343-0500](#) [RCA I.D. RED](#) [54B](#) [330F3](#) [336AX](#) [342-0000](#) [AP-165](#) [598](#) [AX101880](#) [16PJ150](#) [716SNS1P11PL-25](#) [585](#) [330-](#)  
[0000](#) [341-0000](#) [588](#) [431-0100](#) [171-ADRJRJ-E](#) [171-ADRPRP-E](#) [174-0154-E](#) [NYS355](#) [19-1268](#) [PJRAN1X1U01AUX](#) [ACJD-BLK](#) [553-0400](#)  
[553-0200](#) [NF2D-2](#) [NF2D-6](#) [NF2D-9](#) [NF2D-B-0](#) [NF2D-B-4](#) [NF2D-B-5](#) [299](#) [ACJB-BLK](#) [ACJB-RED](#) [ACJD-BLU](#) [ACJD-RED](#) [ACJD-](#)  
[WHT](#)