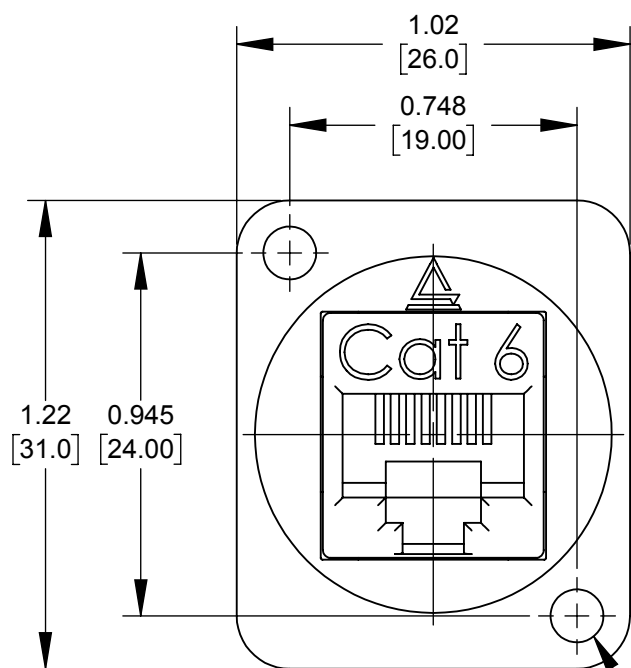
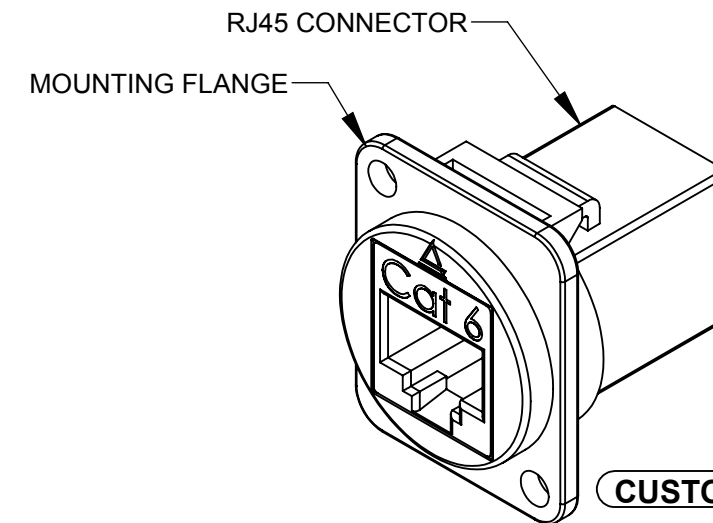
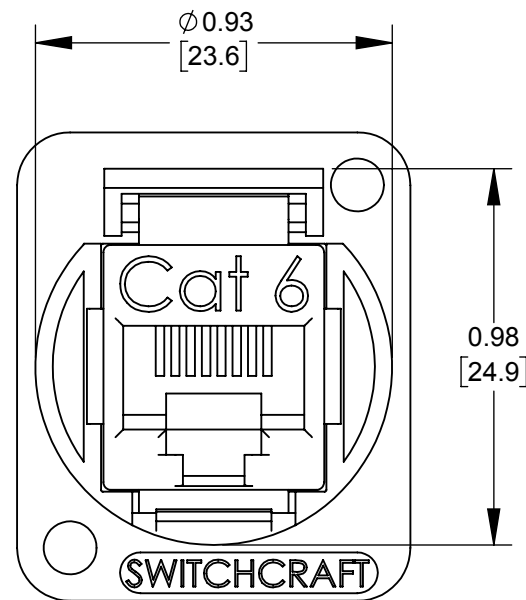
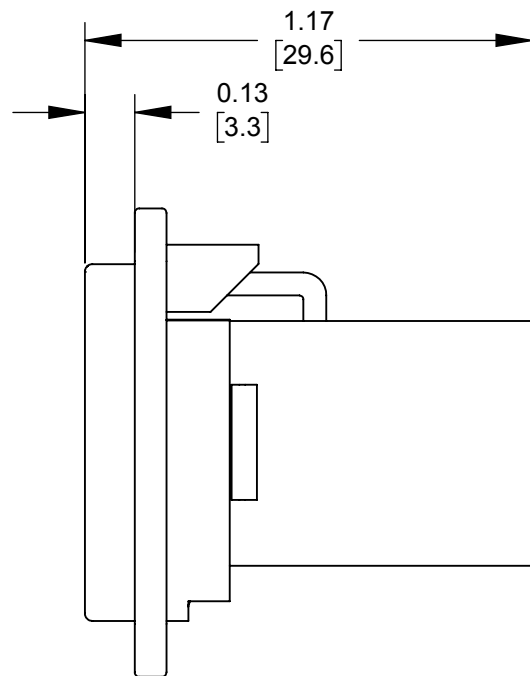


RECOMMENDED  
PANEL CUT-OUT  
REAR MOUNT ONLY

EHRJ45D6  
SHOWN



MOUNTING HOLE (2) PLACES  
SEE TABLE



PART NUMBER	MOUNTING FLANGE FINISH	MOUNTING HOLE
EHRJ45D6	NICKEL	Ø0.138 [3.50] THRU-HOLE
EHRJ45D6B	BLACK CHROME	Ø0.138 [3.50] THRU-HOLE
EHRJ45D6440	NICKEL	#4-40 THREAD
EHRJ45D6B440	BLACK CHROME	#4-40 THREAD
EHRJ45D6M3	NICKEL	M3 X 0.5 THREAD
EHRJ45D6BM3	BLACK CHROME	M3 X 0.5 THREAD

NOTES:

- SHIPPED ASSEMBLED WITHOUT PANEL MOUNTING HARDWARE. ADD "PKG" SUFFIX TO INCLUDE MOUNTING SCREWS AND INDIVIDUAL PACKAGING.
- MATERIALS:  
MOUNTING FLANGE - ZINC ALLOY, SEE TABLE FOR FINISH  
RJ45 BODY - THERMOPLASTIC, BLACK  
RJ45 CONTACTS - COPPER ALLOY, GOLD PLATED
- SPECIFICATIONS:  
RJ45 CONNECTOR MEETS TIA/EIA-568 STANDARD.  
PHYSICAL CHARACTERISTICS  
INSERTION LIFE: 750 MATING CYCLES WITH FCC PLUG  
OPERATING TEMP: -10°C TO +60°C (14°F TO +140°F)  
ELECTRICAL  
INSULATION RESISTANCE: 500MOHM  
DIELECTRIC WITHSTANDING VOLTAGE: 1000V  
DC CURRENT RATING: 1.5 AMPS  
DC RESISTANCE: 0.1OHM  
CONTACT RESISTANCE: 20mOHM
- THESE PRODUCTS ARE RoHS COMPLIANT.

REV	ECO NUMBER	DATE	BY	APVD
0A	CREATED FOR PDR 18006	6/21/19	JGK	*
REVISIONS				

UNLESS OTHERWISE SPECIFIED

- ALL DIMENSIONS IN INCHES [mm]  
- TWO PLACE DECIMALS ±0.02 [0.5]  
- THREE PLACE DECIMALS ±0.005 [0.13]

DO NOT SCALE DRAWING

THIS DRAWING DESCRIBES A DESIGN CONSIDERED PROPRIETARY IN NATURE, DEVELOPED AND MANUFACTURED BY SWITCHCRAFT INC. AND IS RELEASED ON A CONFIDENTIAL BASIS FOR IDENTIFICATION PURPOSES ONLY.									
SIZE	WIDTH	MULT	LBS/M	TEMPER					
FINISH					MATERIAL				
SPEC No.					SPEC No.				
FIRST USED ON				SCALE					
				2:1					
DATE DRAWN	BY	CHKD	APVD						
6/21/19	JGK	JGK	TJK						
			7/10/19	7/10/19					
NAME								PART No.	
METAL FLANGE, REAR MOUNT RJ45, CAT6 CONNECTOR, UNSHIELDED, RoHS								EHRJ45D6 SERIES	
									REV
									0A

## X-ON Electronics

Largest Supplier of Electrical and Electronic Components

*Click to view similar products for [Modular Connectors / Ethernet Connectors](#) category:*

*Click to view products by [SWITCHCRAFT](#) manufacturer:*

Other Similar products are found below :

[8949-H88/06BLKA/SN](#) [74441-0010/BKN](#) [MP1010RX-1000](#) [MP44RX-1000](#) [PHP-6P6C-5](#) [GAX-3-66](#) [GAX-8-62](#) [GDCX-PA-66-50](#) [GDCX-PN-64](#) [GDCX-PN-66](#) [GDCX-PN-66-50](#) [GDLX-A-66](#) [GDLX-N-66](#) [GDLX-S-66](#) [GDLX-S-88K](#) [GDTX-S-88-50](#) [GDX-PA-1010](#) [GLX-N-1010M-BLK](#) [GLX-S-88M-BLK](#) [GMX-N-1010](#) [GMX-S-1010](#) [GMX-S-66](#) [GMX-SMT4-N-88](#) [GPX-2-64](#) [GSGX-N-2-88](#) [GSGX-N-4-88](#) [GSX-NS2-88-3.05](#) [GSX-NS2-88-3.05-50](#) [GSX-NS-88-3.05-50](#) [PT-108A-8C-UL](#) [PT-J951-8C](#) [PTS-J531-8CS-50UL](#) [1-1775629-2](#) [A-2014-0-4](#) [GWLX-S-88-GR](#) [GWLX-S9-88-YG](#) [DC-1021-8-WH-6](#) [1300530003](#) [1324640-4](#) [RJ11FTVC2G](#) [RJ11FTVC2N](#) [RJFTVX2SA1G](#) [132764-001](#) [1413235](#) [MP88X-1000](#) [MPS88RX-5000](#) [E5288-S000K3-L](#) [E5908-15A242-L](#) [155302-001](#) [AX100653](#)