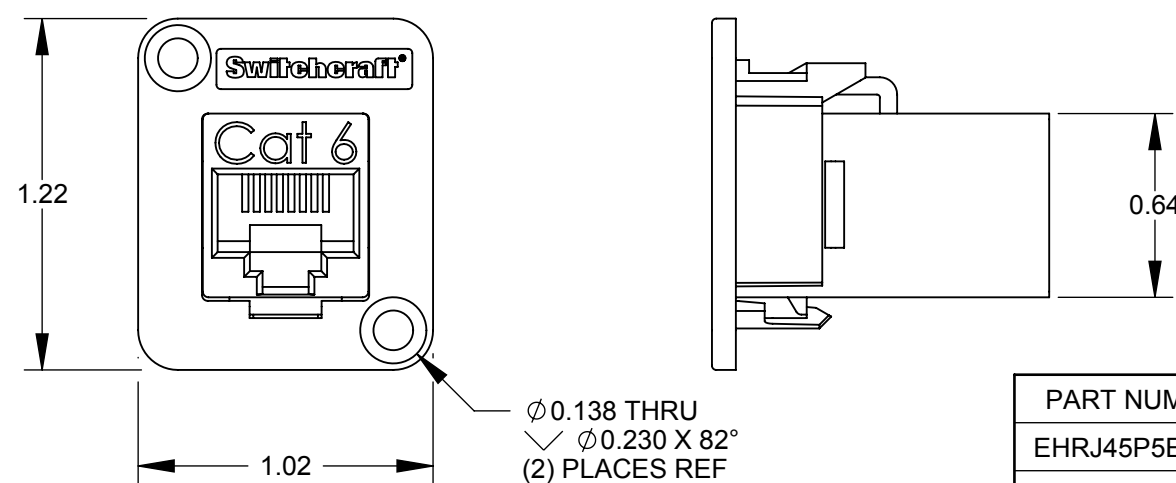
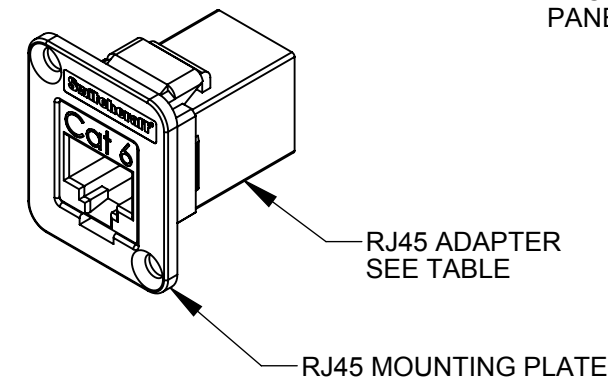
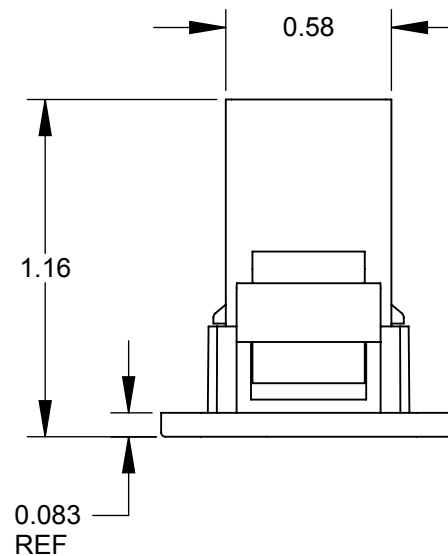
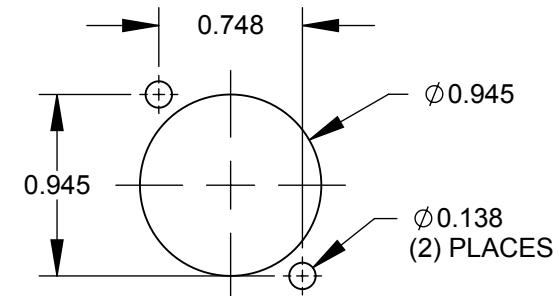


SHIELDED VERSIONS
EHRJ45P5ES
SHOWN



UNSHIELDED VERSIONS
EHRJ45P6
SHOWN



RECOMMENDED
PANEL CUT-OUT

PART NUMBER	RJ45 ADAPTER
EHRJ45P5E	CAT5e UNSHIELDED
EHRJ45P5ES	CAT5e SHIELDED
EHRJ45P6	CAT6 UNSHIELDED
EHRJ45P6S	CAT6 SHIELDED

NOTES:

- ADAPTER MEETS:
CAT5e: TIA/EIA-568-B.2 STANDARD
CAT6: TIA/EIA-568-B.2-1 STANDARD
- MATERIALS:
RJ45 MOUNTING PLATE - THERMOPLASTIC, BLACK
RJ45 HOUSING - THERMOPLASTIC, BLACK
RJ45 SHIELD - COPPER ALLOY, NICKEL PLATED
- FOR SCREWS TO BE SHIPPED WITH ASSEMBLY, ADD SUFFIX -PKG TO PART NUMBER.
- WHEN MOUNTING ASSEMBLY, USE A SCREW TORQUE OF 10 INCH-LBS MAXIMUM.
- THIS PRODUCT IS RoHS COMPLIANT.

CUSTOMER DRAWING

REVISIONS					UNLESS OTHERWISE SPECIFIED					THIS DRAWING DESCRIBES A DESIGN CONSIDERED PROPRIETARY IN NATURE, DEVELOPED AND MANUFACTURED BY SWITCHCRAFT INC. AND IS RELEASED ON A CONFIDENTIAL BASIS FOR IDENTIFICATION PURPOSES ONLY.					
A	26387	5/15/09	RS	TJK	1. ALL DIMENSIONS IN INCHES - TWO PLACE DECIMALS ±0.02 - THREE PLACE DECIMALS ±0.005					SIZE	WIDTH	MULT	LBS/M	TEMPER	
REV	ECO NUMBER	DATE	BY	APVD	DO NOT SCALE DRAWING					FINISH		MATERIAL			
										SPEC No.		SCALE			SPEC No.
										FIRST USED ON		SCALE 1.5:1			
										DATE DRAWN	BY	CHKD	APVD	Switchcraft®	
										7/7/08	JGK	RS	TJK		
										NAME		PART No.			REV
										EH SERIES RJ45, RoHS		EHRJ45P SERIES			A

X-ON Electronics

Largest Supplier of Electrical and Electronic Components

Click to view similar products for [Modular Connectors](#) / [Ethernet Connectors](#) category:

Click to view products by [Switchcraft](#) manufacturer:

Other Similar products are found below :

[RJE231881317T](#) [MP1010RX-1000](#) [MP44RX-1000](#) [GAX-3-66](#) [GAX-8-62](#) [93606-0253](#) [GD-A-44](#) [GDCX-PA-66-50](#) [GDCX-PN-64](#) [GDCX-PN-66](#) [GDCX-PN-66-50](#) [GDLX-A-66](#) [GDLX-A-88](#) [GDLX-N-66](#) [GDLX-S-88K](#) [GDTX-S-88-50](#) [GDX-PA-1010](#) [GLX-N-1010M-BLK](#) [GLX-N-44M](#) [GLX-S-88M-BLK](#) [GMX-N-1010](#) [GMX-S-1010](#) [GMX-S-66](#) [GMX-SMT2-N-1010](#) [GMX-SMT2-N-64-50](#) [GMX-SMT2-S6-88](#) [GMX-SMT4-N-88](#) [GPX-2-64](#) [GRT1-BT1-5](#) [GSGX-N-2-88](#) [GSX-NS2-88-3.05](#) [GSX-NS2-88-3.05-50](#) [GSX-NS-88-3.05-30](#) [GSX-NS-88-3.05-50](#) [GSX-NS-88-3.68](#) [1-1775629-2](#) [GWLX-S-88-GR](#) [GWLX-S9-88-YG](#) [1300500326](#) [1300500227](#) [1300530003](#) [1300570002](#) [1324640-4](#) [RJ11FTVC2G](#) [RJ11FTVC2N](#) [RJFTVX2SA1G](#) [132764-001](#) [1400000](#) [1413176](#) [1413235](#)