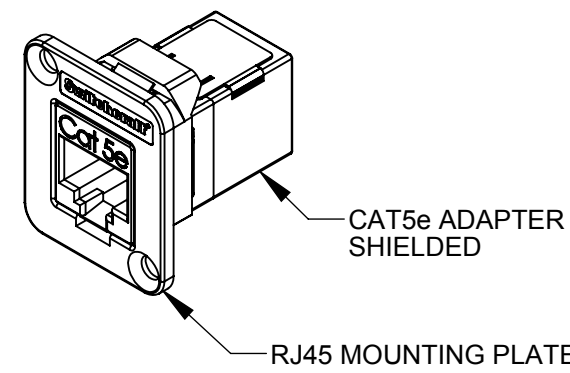
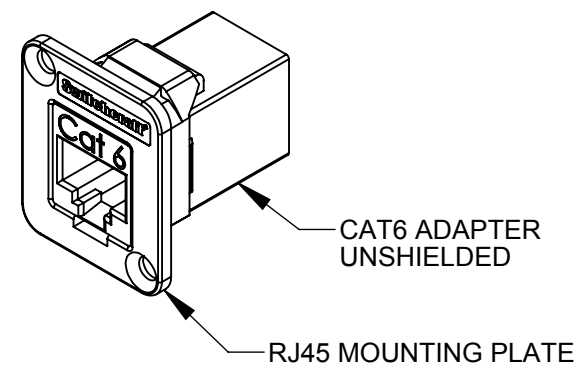


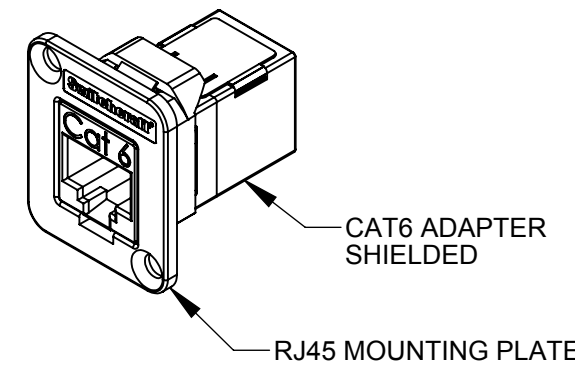
**EHRJ45P5E**  
UNSHIELDED



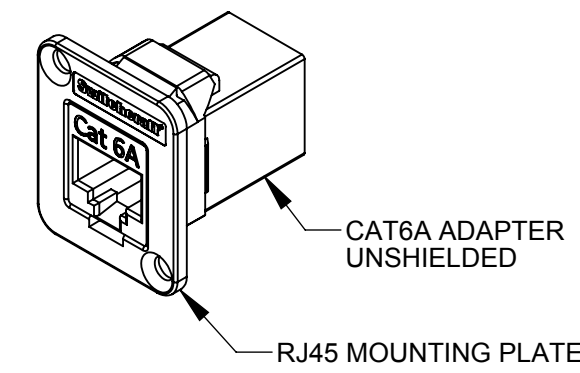
**EHRJ45P5ES**  
SHIELDED



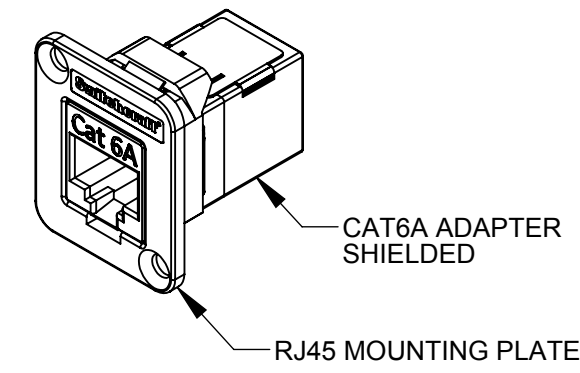
**EHRJ45P6**  
UNSHIELDED



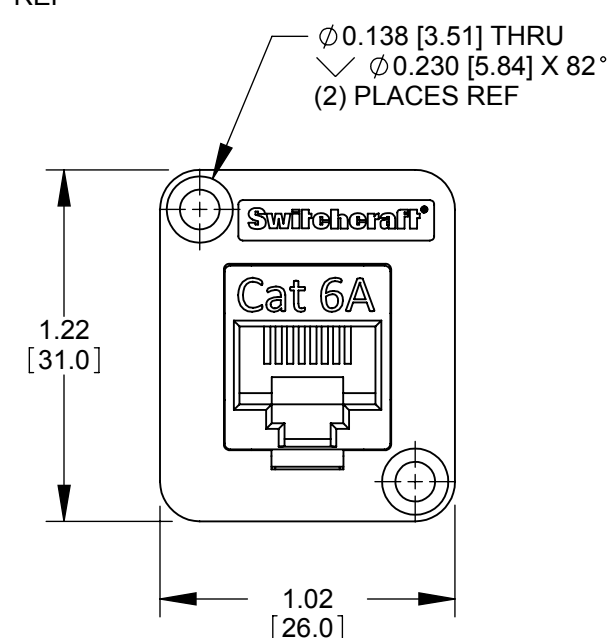
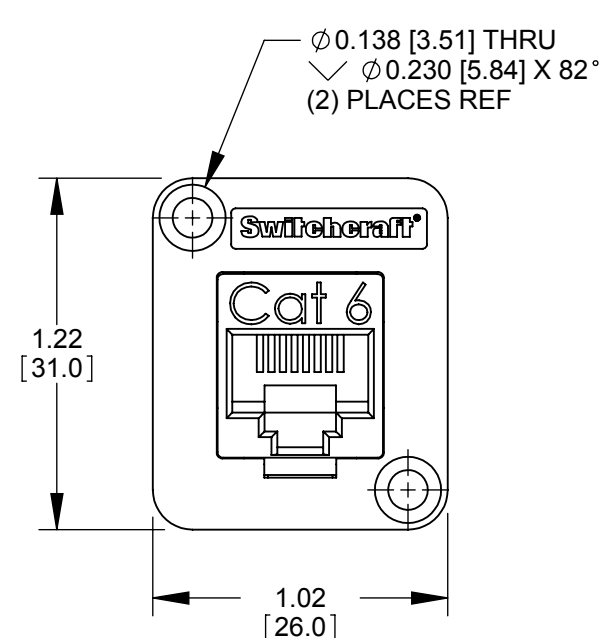
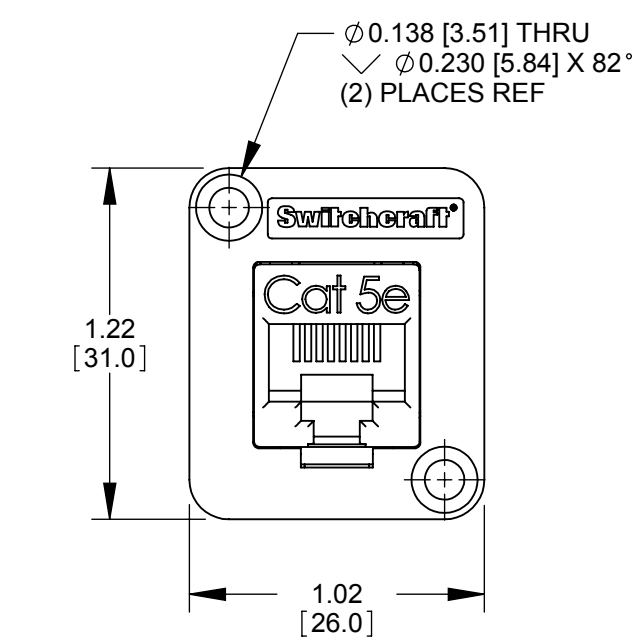
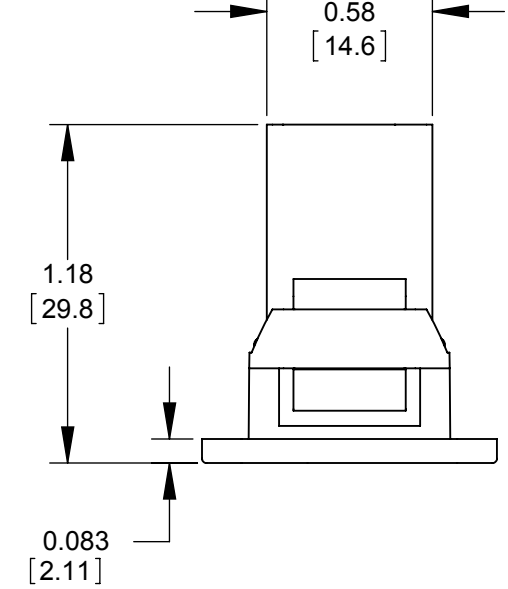
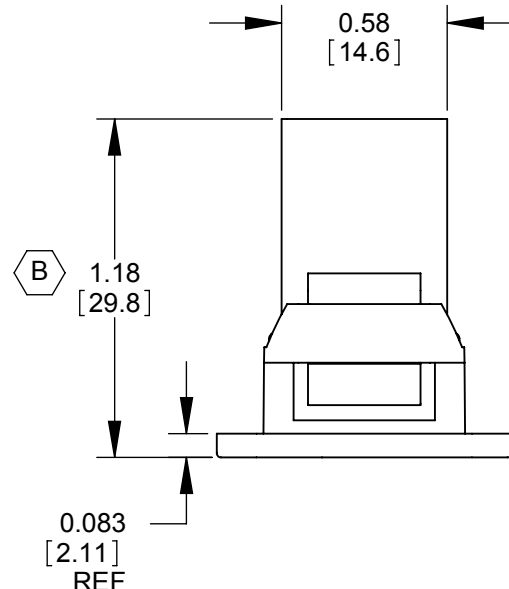
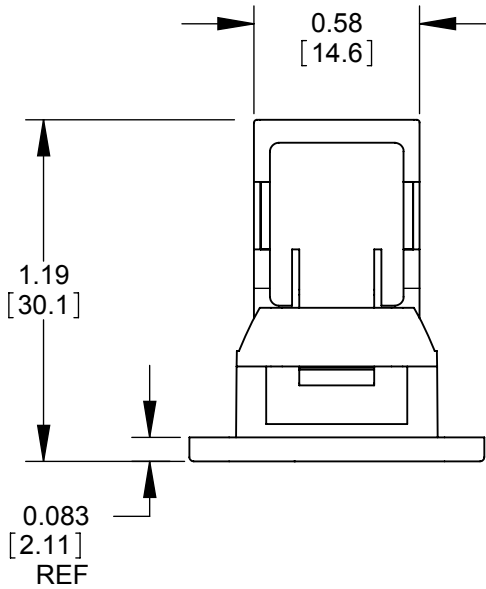
**EHRJ45P6S**  
SHIELDED



**EHRJ45P6A**  
UNSHIELDED



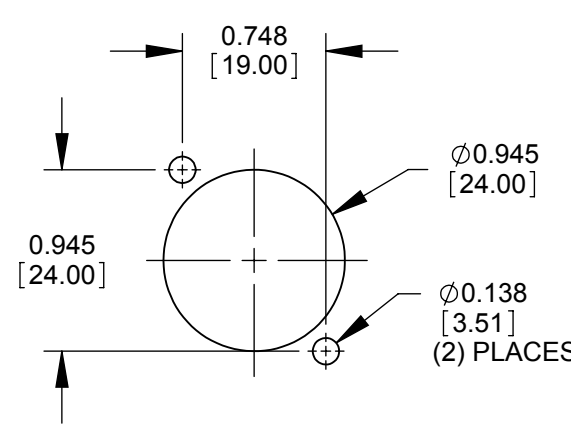
**EHRJ45P6AS**  
SHIELDED



**EHRJ45P5E - UNSHIELDED**  
**EHRJ45P5ES - SHIELDED (SHOWN)**

**EHRJ45P6 - UNSHIELDED (SHOWN)**  
**EHRJ45P6S - SHIELDED**

**EHRJ45P6A - UNSHIELDED (SHOWN)**  
**EHRJ45P6AS - SHIELDED**



**RECOMMENDED PANEL CUT-OUT**

- NOTES:
- ADAPTER MEETS:  
CAT5e: TIA/EIA-568-B.2 STANDARD  
CAT6: TIA/EIA-568-B.2-1 STANDARD  
CAT6A: TIA/ANSI-568-C.2 STANDARD
  - MATERIALS:  
RJ45 MOUNTING PLATE - THERMOPLASTIC, BLACK  
RJ45 HOUSING - THERMOPLASTIC, BLACK  
RJ45 SHIELD - COPPER ALLOY, NICKEL PLATED
  - FOR SCREWS TO BE SHIPPED WITH ASSEMBLY, ADD SUFFIX -PKG TO PART NUMBER.
  - WHEN MOUNTING ASSEMBLY, USE A SCREW TORQUE OF 10 INCH-LBS MAXIMUM.
  - THIS PRODUCT IS RoHS COMPLIANT.

PART NUMBER	RJ45 ADAPTER
EHRJ45P5E	CAT5e UNSHIELDED
EHRJ45P5ES	CAT5e SHIELDED
EHRJ45P6	CAT6 UNSHIELDED
EHRJ45P6S	CAT6 SHIELDED
EHRJ45P6A	CAT6A UNSHIELDED
EHRJ45P6AS	CAT6A SHIELDED

**CUSTOMER DRAWING**

UNLESS OTHERWISE SPECIFIED				THIS DRAWING DESCRIBES A DESIGN CONSIDERED PROPRIETARY IN NATURE, DEVELOPED AND MANUFACTURED BY SWITCHCRAFT INC. AND IS RELEASED ON A CONFIDENTIAL BASIS FOR IDENTIFICATION PURPOSES ONLY.							
1. ALL DIMENSIONS IN INCHES [mm]		- TWO PLACE DECIMALS ±0.02 [0.5]		SIZE	WIDTH	MULT	LBS/M	TEMPER			
- THREE PLACE DECIMALS ±0.005 [0.13]		SCALE 1.5:1		FINISH SPEC No.		MATERIAL SPEC No.					
REV	ECO NUMBER	DATE	BY	APVD	DATE DRAWN	BY	CHKD	RS	APVD	TJK	
D	27721	6-21-16	TO	TJK	7/7/08	JGK	RS	7/28/09	10/24/09		
C	27585	10/08/15	PC	TJK	NAME: EH SERIES RJ45 ADAPTER, RoHS						
B	27247	1/24/14	JGK	TJK	PART No. EHRJ45P SERIES						
A	26387	5/15/09	RS	TJK	SHEET 1 OF 1						
REVISIONS				DO NOT SCALE DRAWING				SolidWorks CAD File			



SHEET 1 OF 1

## X-ON Electronics

Largest Supplier of Electrical and Electronic Components

*Click to view similar products for [Modular Connectors / Ethernet Connectors](#) category:*

*Click to view products by [Switchcraft](#) manufacturer:*

Other Similar products are found below :

[8949-H88/06BLKA/SN](#) [74441-0010/BKN](#) [MP1010RX-1000](#) [MP44RX-1000](#) [PHJ-4P4C-1-V-4](#) [PHP-6P6C-5](#) [GAX-3-66](#) [GAX-8-62](#) [GDCX-PA-66-50](#) [GDCX-PN-64](#) [GDCX-PN-66](#) [GDCX-PN-66-50](#) [GDLX-A-66](#) [GDLX-N-66](#) [GDLX-S-66](#) [GDLX-S-88K](#) [GDTX-S-88-50](#) [GDX-PA-1010](#) [GLX-N-1010M-BLK](#) [GLX-S-88M-BLK](#) [GMX-N-1010](#) [GMX-S-1010](#) [GMX-S-66](#) [GMX-SMT4-N-88](#) [GPX-2-64](#) [GSGX-N-2-88](#) [GSGX-N-4-88](#) [GSX-NS2-88-3.05](#) [GSX-NS2-88-3.05-50](#) [GSX-NS-88-3.05-50](#) [PT-108A-8C-UL](#) [PT-J951-8C](#) [PTS-J531-8CS-50UL](#) [1-1775629-2](#) [A-2014-0-4](#) [GWLX-S-88-GR](#) [GWLX-S9-88-YG](#) [DC-1021-8-WH-6](#) [1300530003](#) [1324640-4](#) [RJ11FTVC2G](#) [RJ11FTVC2N](#) [RJFTVX2SA1G](#) [132764-001](#) [1413235](#) [MP88X-1000](#) [MPS88RX-5000](#) [E5288-S000K3-L](#) [E5908-15A242-L](#) [155302-001](#)