



EH TQG PANEL MOUNT CONNECTORS

NEW PRODUCT BULLETIN 605

FEATURES & BENEFITS

- Same high quality connectors as our popular TQG Series, except both male and female versions utilize the same size panel cut-out, simplifying installation and modification.
- Rugged metal construction.
- Available in nickel or black finish.
- Available with 3, 4, 5, 6 or 7 contacts for male, plated in silver or gold and 3, 4 and 5 contacts for female.
- RoHS Compliant.
- The perfect match for our QGPK Series of I/O panels and our WP Series of wall-plates. More info available on our website.

APPLICATIONS

- Communications equipment
- Wall plates
- Custom I/O panels
- Pro audio equipment



SWITCHCRAFT®

A H E I C O C O M P A N Y

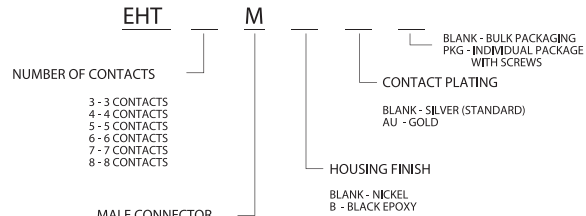


5555 N Elston Ave | Chicago, IL 60630 | P: 773.792.2700 | F: 773.792.2129 | www.switchcraft.com | Made in USA.

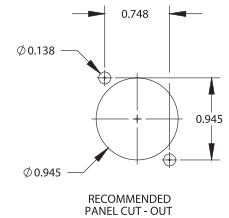
EH TQG PANEL MOUNT CONNECTORS

NEW PRODUCT BULLETIN 605

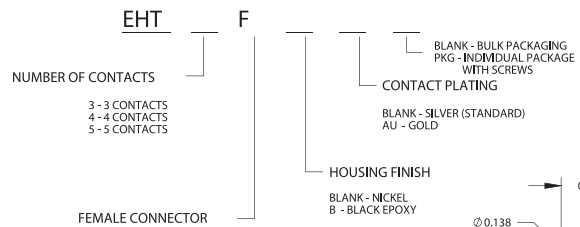
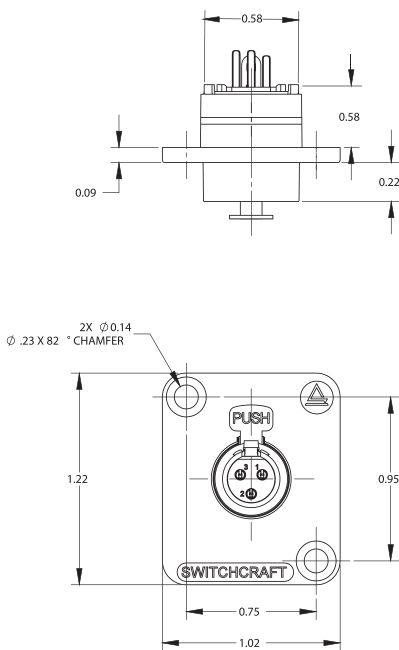
MALE EH TQG PANEL CONNECTORS



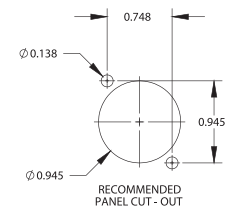
- NOTES:
- MATERIALS:
 PLATE - ZINC ALLOY, PLATED
 SHELL - COPPER ALLOY, NICKEL PLATED
 INSERT - THERMOPLASTIC, BROWN
 CONTACT PINS - COPPER ALLOY, PLATED
 WASHER - COPPER ALLOY, NICKEL PLATED
 NUT - COPPER ALLOY, NICKEL PLATED
 - THIS PART IS RoHS COMPLIANT.



FEMALE EH TQG PANEL CONNECTORS



- NOTES:
- MATERIALS:
 HOUSING - ZINC ALLOY, PLATED
 INNER HOUSING - COPPER ALLOY, NICKEL PLATED
 FRONT AND REAR INSERTS - THERMOPLASTIC, BROWN
 CONTACT PINS - COPPER ALLOY, PLATED
 SOLDER TERMINAL - COPPER ALLOY, TIN PLATED
 LATCH - COPPER ALLOY, NICKEL PLATED
 RELEASE LEVER - STEEL, NICKEL PLATED
 LEVER RETURN SPRING, STAINLESS STEEL
 - THIS PART IS RoHS COMPLIANT.



Please visit www.switchcraft.com for the most up-to-date product specifications. Made in USA.

X-ON Electronics

Largest Supplier of Electrical and Electronic Components

Click to view similar products for [XLR Connectors](#) category:

Click to view products by [SWITCHCRAFT](#) manufacturer:

Other Similar products are found below :

[707-0300](#) [A3F01](#) [A3M01](#) [QGP3F](#) [HA16PRM-3SG\(71\)](#) [AA3FL](#) [AAA4FWZ](#) [AAA4MWZ](#) [AC5FPZB](#) [AC6AFDZV](#) [D4FB](#) [DE4MW](#)
[E3MBAUSW](#) [99.265.0400.0](#) [A3F04](#) [AC3FG](#) [AC4-FCP](#) [AQG4F](#) [2504FP](#) [R6MZ](#) [3FD-V-I-B](#) [3MD-V-I-B](#) [TA01](#) [TA3MWX](#) [TA5MLWX](#)
[TRASM4M1X](#) [TRASM7M1X](#) [ML1](#) [TS05TS](#) [3FD-L-I-\(O\)](#) [D6FDB](#) [DB25FTRS](#) [DHNF-BAG-MAD](#) [DHNF-BAG-O](#) [DHNM-BAG](#)
[XLRF05TRS](#) [XLRM05XLRF](#) [XLRM05XLRFB](#) [XLRM10XLRF](#) [E3FBAUSW](#) [E3FSW](#) [E3MSW](#) [SR03](#) [TA4FLWX](#) [TA6FLWX](#)
[TRAPC8M1X](#) [TRASM6M1X](#) [TRS10TRS](#) [TRSF05XLRM](#) [TRSF10XLRM](#)