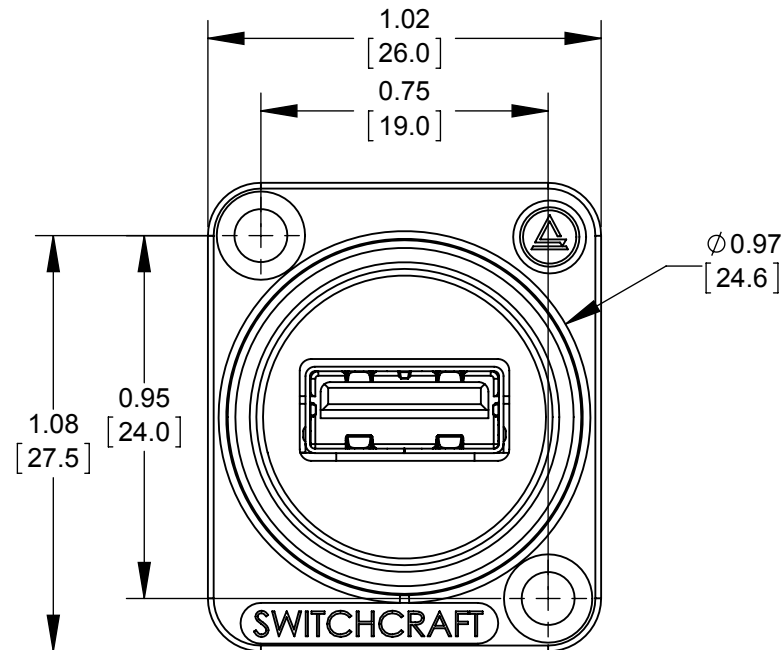
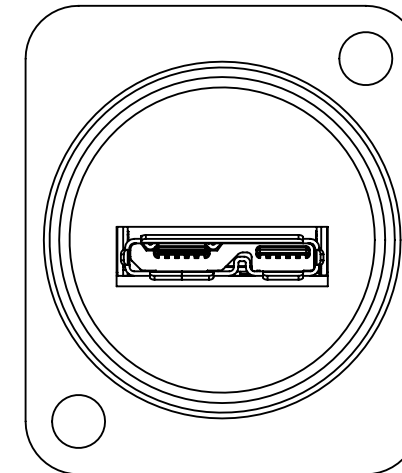
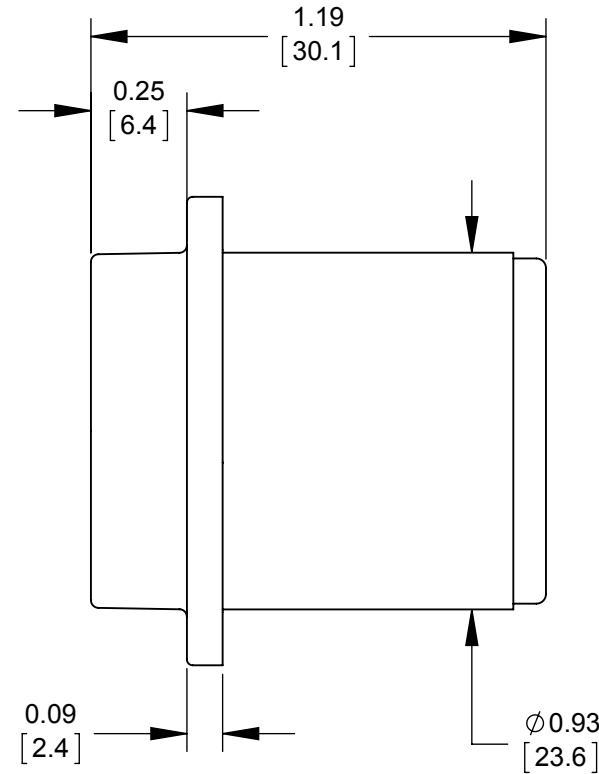


RECOMMENDED  
PANEL CUT-OUT



FRONT



BACK

**SPECIFICATIONS**

**1. FRONT CONNECTOR**

- **TYPE:** USB 3.0A
- **MECHANICAL CHARACTERISTICS:**
  - INSERTION FORCE: 7.8 lb
  - WITHDRAWAL FORCE 1.8 lb
- **CONTACT PLATING:** GOLD

**2. BACK CONNECTOR**

- **TYPE:** MICRO USB 3.0 AB
- **MECHANICAL CHARACTERISTICS:**
  - INSERTION FORCE: 7.8 lb
  - WITHDRAWAL FORCE 1.76 lb
- **CONTACT PLATING:** GOLD

**3. OVERALL:**

- **MECHANICAL:**
  - **VIBRATION:** MIL-STD 202G METHOD 201A
- **ENVIRONMENTAL:**
  - **THERMAL SHOCK:** MIL-STD-202G METHOD 107G CONDITION A
  - **OPERATING TEMP:** 0 TO 65 °C
- **HOUSING MATERIAL:** THERMOPLASTIC, BLACK.

**CUSTOMER DRAWING**

NOTES:  
1- ALL PARTS ARE RoHS COMPLIANT.

REV	ECO NUMBER	DATE	BY	APVD
0A	PRELIMINARY	4/11/16	NS	SRC
REVISIONS				

UNLESS OTHERWISE SPECIFIED

- 1. ALL DIMENSIONS IN INCHES [mm]
- TWO PLACE DECIMALS ±0.02 [0.5]
- THREE PLACE DECIMALS ±0.005 [0.13]

DO NOT SCALE DRAWING

THIS DRAWING DESCRIBES A DESIGN CONSIDERED PROPRIETARY IN NATURE, DEVELOPED AND MANUFACTURED BY SWITCHCRAFT INC. AND IS RELEASED ON A CONFIDENTIAL BASIS FOR IDENTIFICATION PURPOSES ONLY.									
SIZE *	WIDTH *	MULT *	LBS/M *	TEMPER *					
FINISH *					MATERIAL *				
SPEC No. *					SPEC No. *				
FIRST USED ON *			SCALE 1:1						
DATE DRAWN	BY	CHKD	APVD						
4/11/16	NS	NS	SRC	4/11/16	4/11/16	SHEET 1 OF 1			
NAME EH SERIES USB 3.0 TYPE A TO MICRO USB 3.0 TYPE AB					PART No. EHUSB3ACAB		REV 0A		

SolidWorks CAD File

## X-ON Electronics

Largest Supplier of Electrical and Electronic Components

*Click to view similar products for [USB Connectors](#) category:*

*Click to view products by [Switchcraft](#) manufacturer:*

Other Similar products are found below :

[65-647-8-BK-BU](#) [950](#) [952](#) [E8144-B01021-L](#) [A-USB A-LP-SMT-C](#) [A-USB B-TOP-C](#) [MUSBA511N5](#) [MUSBD11135](#) [217450-1](#) [CA 6 W LD](#)  
[KMBVX-TH-5S-B30](#) [896-30-004-00-000000](#) [KUSBVX-BS1N-W30](#) [KUSBX-AP-KIT-SCBLK](#) [KUSBX-AS2N-W](#) [KUSBX-SMT2AP1S-W](#)  
[KUSBX-SMT2AP1S-W30](#) [935](#) [957](#) [30-498-6](#) [17-210051](#) [1734082-1](#) [30-1574](#) [30-470](#) [30-489](#) [30-541](#) [30-572-3](#) [MAB 8 SN V](#) [A-USB A-](#)  
[2P-C](#) [MIKROE-1451](#) [USBFTV2PEM2G](#) [USBFTVC6ZN](#) [KUSBX-AS2N-W30](#) [KUSBX-SLAS1N-W](#) [KUSBX-SMT-AS1N-W30](#) [4689-1](#) [1-](#)  
[1734084-2](#) [E8110-001-01](#) [33UBARS1-04SW11](#) [33UBAR-04SW11](#) [USBF21ZNSCC](#) [USBBFTV6ZC](#) [MUSBB151341](#) [10135326-001LF](#)  
[M9177/3-1](#) [USB-A-S-F-B-VT](#) [925](#) [4198](#) [690-024-633-031](#) [KUSBEX-BSFS1N-W](#)