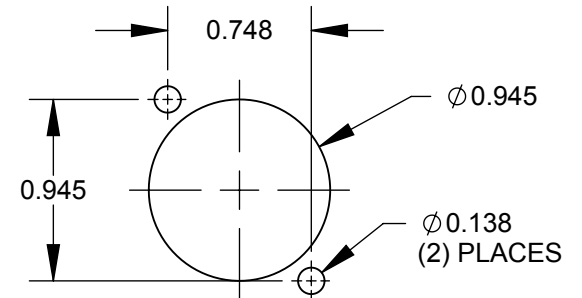
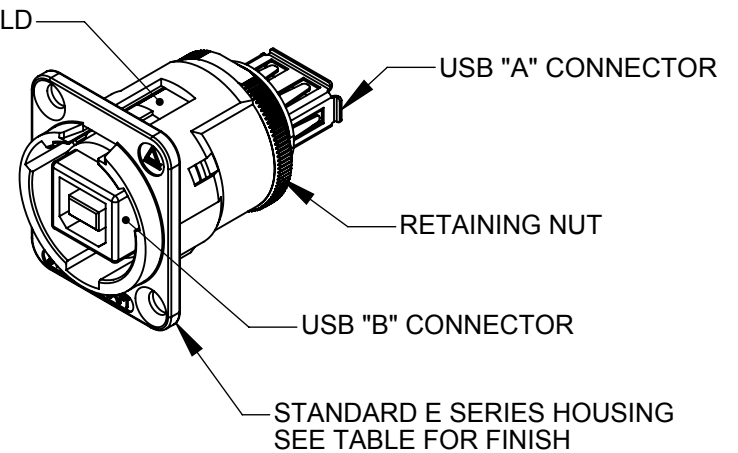
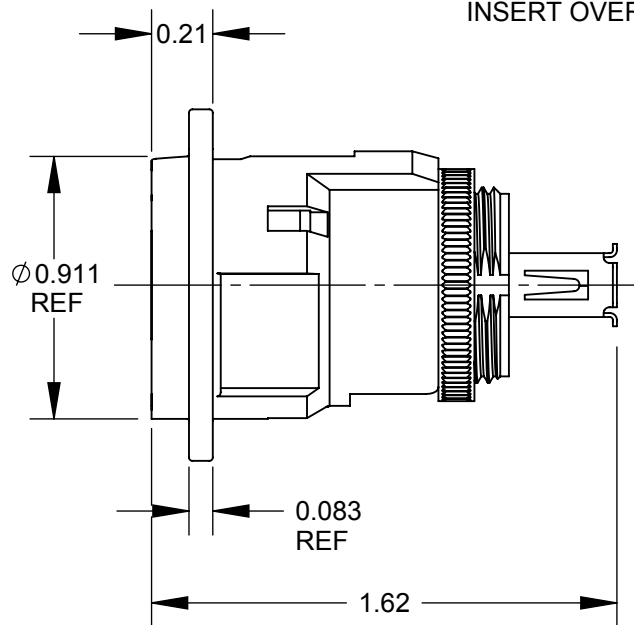


✓ $\varnothing 0.138$ THRU
 $\varnothing 0.230 \times 82^\circ$
 (2) PLACES
 REF



NOTES:

- MATERIALS:
 INSERT OVERMOLD - THERMOPLASTIC, BLACK
 RETAINING NUT - BRASS, NICKEL PLATED
 HOUSING - ZINC ALLOY
- THIS PRODUCT IS RoHS COMPLIANT.

PART NUMBER	HOUSING FINISH
EHUSBBAX	NICKEL
EHUSBBABX	BLACK CHROME

RECOMMENDED
PANEL CUT-OUT

CUSTOMER DRAWING

☆ STAR SYMBOL DENOTES CRITICAL DIMENSION UNLESS OTHERWISE SPECIFIED 1. ALL DIMENSIONS IN INCHES - TWO PLACE DECIMALS ± 0.01 - THREE PLACE DECIMALS ± 0.005 - ANGLES $\pm 1^\circ$					THIS DRAWING DESCRIBES A DESIGN CONSIDERED PROPRIETARY IN NATURE, DEVELOPED AND MANUFACTURED BY SWITCHCRAFT INC. AND IS RELEASED ON A CONFIDENTIAL BASIS FOR IDENTIFICATION PURPOSES ONLY.				
					SIZE	WIDTH	MULT	LBS/M	TEMPER
REVISIONS A 26076 7/15/06 RS TJK					FINISH SPEC No.		MATERIAL SPEC No.		
					FIRST USED ON		SCALE 1.5:1		
REV	ECO NUMBER	DATE	BY	APVD	DATE DRAWN	BY	CHKD	APVD	
					5/5/09	RS	RS 5/7/09	TJK 7/15/09	
DO NOT SCALE DRAWING					NAME E SERIES CONNECTOR, USB B FEMALE TO A FEMALE, RoHS				
					PART No.			REV	
					EHUSBBA_X SERIES			A	



X-ON Electronics

Largest Supplier of Electrical and Electronic Components

Click to view similar products for [USB Connectors](#) category:

Click to view products by [Switchcraft](#) manufacturer:

Other Similar products are found below :

[65-647-8-BK-BU](#) [950](#) [952](#) [E8144-B01021-L](#) [A-USB B-TOP-C](#) [MUSBA511N5](#) [MUSBD11135](#) [217450-1](#) [CA 6 W LD](#) [KMBVX-TH-5S-B30](#)
[896-30-004-00-000000](#) [KUSBVX-BS1N-W30](#) [KUSBX-AP-KIT-SCBLK](#) [KUSBX-AS2N-W](#) [KUSBX-SMT2AP1S-W](#) [KUSBX-SMT2AP1S-](#)
[W30](#) [935](#) [957](#) [30-498-6](#) [17-210051](#) [1734082-1](#) [30-1574](#) [30-470](#) [30-489](#) [30-541](#) [30-572-3](#) [MAB 8 SN V](#) [A-USB A-2P-C](#) [MIKROE-1451](#)
[USBFTV2PEM2G](#) [USBFTVC6ZN](#) [KUSBX-AS2N-W30](#) [KUSBX-SLAS1N-W](#) [KUSBX-SMT-AS1N-W30](#) [4689-1](#) [1-1734084-2](#) [E8110-001-](#)
[01](#) [33UBARS1-04SW11](#) [33UBAR-04SW11](#) [USBF21ZNSCC](#) [USBBFTV6ZC](#) [MUSBB151341](#) [10135326-001LF](#) [M9177/3-1](#) [USB-A-S-F-B-](#)
[VT](#) [925](#) [4198](#) [690-024-633-031](#) [KUSBEX-BSFS1N-W](#) [USBFTVC6MRG](#)