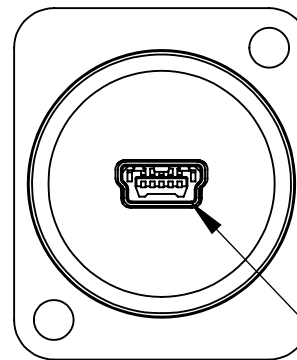
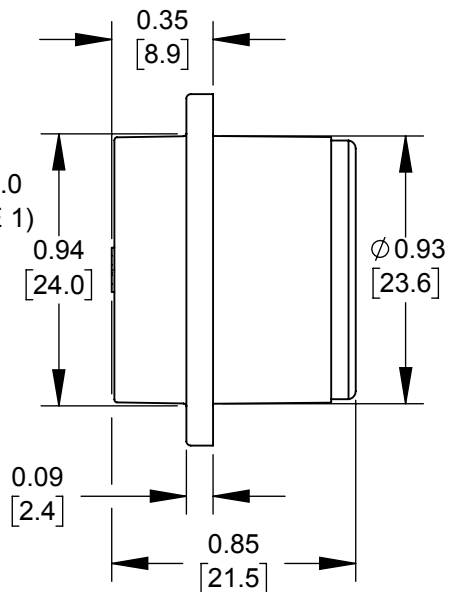


FRONT VIEW

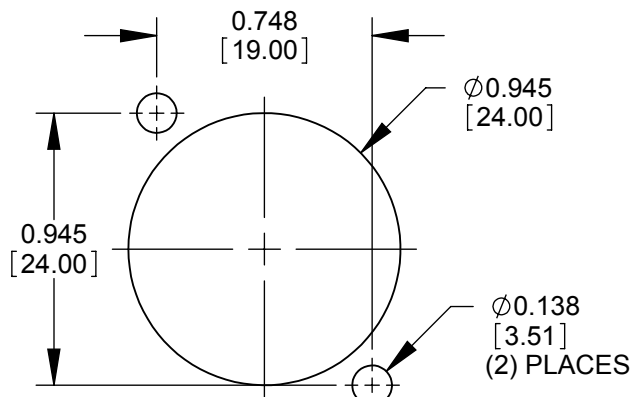
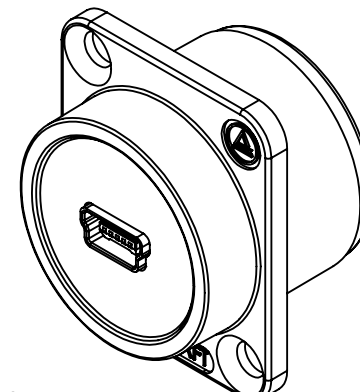
$\phi 0.138$ [3.5] THRU
 $\checkmark \phi 0.230$ [5.84] x 82°
 (2) PLACES

MINI USB 2.0
(SEE NOTE 1)



REAR VIEW

MINI USB 2.0
(SEE NOTE 1)



RECOMMENDED
PANEL CUT-OUT

CUSTOMER DRAWING

NOTES:

- RECEPTACLE IS USB 2.0 MINI TYPE "B".
- MATERIALS:
 USB 2.0 MINI -
 INSULATOR - THERMOPLASTIC, BLACK
 SHELL - COPPER ALLOY, NICKEL PLATED
 CONTACTS - COPPER ALLOY, GOLD PLATED
 PCB - FR4
 EH HOUSING - THERMOPLASTIC, BLACK
- THIS PRODUCT IS RoHS COMPLIANT.

					THIS DRAWING DESCRIBES A DESIGN CONSIDERED PROPRIETARY IN NATURE, DEVELOPED AND MANUFACTURED BY SWITCHCRAFT INC. AND IS RELEASED ON A CONFIDENTIAL BASIS FOR IDENTIFICATION PURPOSES ONLY.							
					SIZE	WIDTH	MULT	LBS/M	TEMPER			
					UNLESS OTHERWISE SPECIFIED			FINISH				
					1. ALL DIMENSIONS IN INCHES [mm]			MATERIAL				
					- TWO PLACE DECIMALS ±0.02 [0.5]			SPEC No.				
					- THREE PLACE DECIMALS ±0.005 [0.13]			SCALE				
					FIRST USED ON		3:2					
					DATE DRAWN	BY	CHKD	APVD				
					8/22/18	JGK	*	*				
										SHEET 1 OF 1		
										NAME		
					EH USB 2.0 MINI FEED-THRU, RoHS					EHUSBMNMN		0A
REVISIONS					DO NOT SCALE DRAWING							



X-ON Electronics

Largest Supplier of Electrical and Electronic Components

Click to view similar products for [USB Connectors](#) category:

Click to view products by [Switchcraft](#) manufacturer:

Other Similar products are found below :

[65-647-8-BK-BU](#) [950](#) [952](#) [E8144-B01021-L](#) [A-USB B-TOP-C](#) [MUSBA511N5](#) [MUSBD11135](#) [217450-1](#) [KMBVX-TH-5S-B30](#) [896-30-004-00-000000](#) [KUSBVX-BS1N-W30](#) [KUSBX-AP-KIT-SCBLK](#) [KUSBX-AS2N-W](#) [KUSBX-SMT2AP1S-W](#) [KUSBX-SMT2AP1S-W30](#) [935](#) [957](#) [30-498-6](#) [17-210051](#) [1734082-1](#) [30-1574](#) [30-470](#) [30-489](#) [30-541](#) [30-572-3](#) [A-USB A-2P-C](#) [MIKROE-1451](#) [USBFTV2PEM2G](#) [USBFTVC6ZN](#) [KUSBX-AS2N-W30](#) [KUSBX-SLAS1N-W](#) [KUSBX-SMT-AS1N-W30](#) [4689-1](#) [1-1734084-2](#) [E8110-001-01](#) [33UBARS1-04SW11](#) [33UBAR-04SW11](#) [USBF21ZNSCC](#) [USBBFTV6ZC](#) [10135326-001LF](#) [USB-A-S-F-B-VT](#) [925](#) [4198](#) [690-024-633-031](#) [KUSBEX-BSFS1N-W](#) [USBFTVC6MRG](#) [UA-20BMFA-SL8001](#) [17-250101](#) [USBFTVC7ZC](#) [USBFTV75NF459](#)