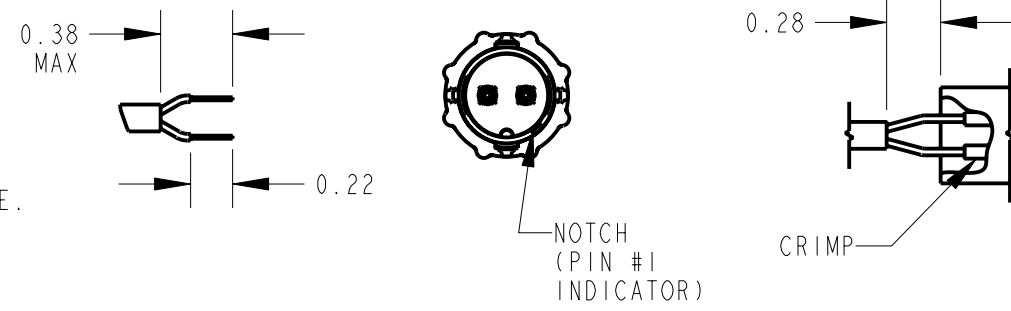


**STEP 1**  
STRIP CABLE AS SHOWN.  
FEED THE END OF THE CABLE THROUGH THE BOOT, CABLE CLAMP HOUSING, AND COUPLING RING IN THE ORDER AND POSITION SHOWN. CRIMP CONDUCTOR TO CONTACT. CONTACT #1 TO BE NEXT TO NOTCH.

\*\*REMAINING CONTACTS TO BE PLACED COUNTER CLOCKWISE.



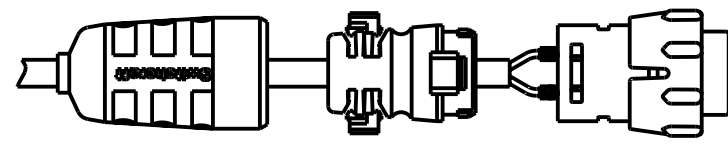
### SPECIFICATIONS

**MECHANICAL:**  
SHOCK: MIL-STD 202 METHOD 213B, COND. K.  
VIBRATION: MIL-STD 202 METHOD 201  
LIFE: 300 INSERTION/WITHDRAWAL CYCLES (MINIMUM)

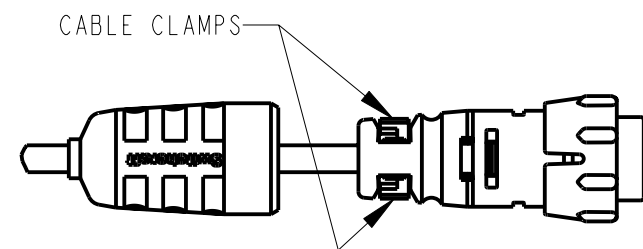
**ELECTRICAL**  
DIELECTRIC WITHSTANDING VOLTAGE: 1,000 VAC  
INSULATION RESISTANCE: 100 MEGOHMS (MIN) AT 77°F  
CONTACT RESISTANCE: 5.0 MILLOHMS MAX.  
CURRENT RATING: 7.5 AMPS (#20 CONTACT)  
6.5 AMPS (7 & 8 PIN #20 CONTACT)  
13.0 AMPS (#16 CONTACT)

**ENVIRONMENTAL**  
TEMPERATURE LIMITS: -40°C TO +65°C (NON-OPERATING)  
MOISTURE RESISTANCE: MIL-STD 202 METHOD 106F  
INSULATION RESISTANCE: MIL-STD 202 METHOD 302, COND. B  
THERMAL SHOCK: MIL-STD 202 METHOD 107G  
SALT SPRAY: MIL-STD 202 METHOD 101D, COND. B  
WATER TIGHTNESS TEST: U.S. COAST GUARD CFR 46 PART 110.20

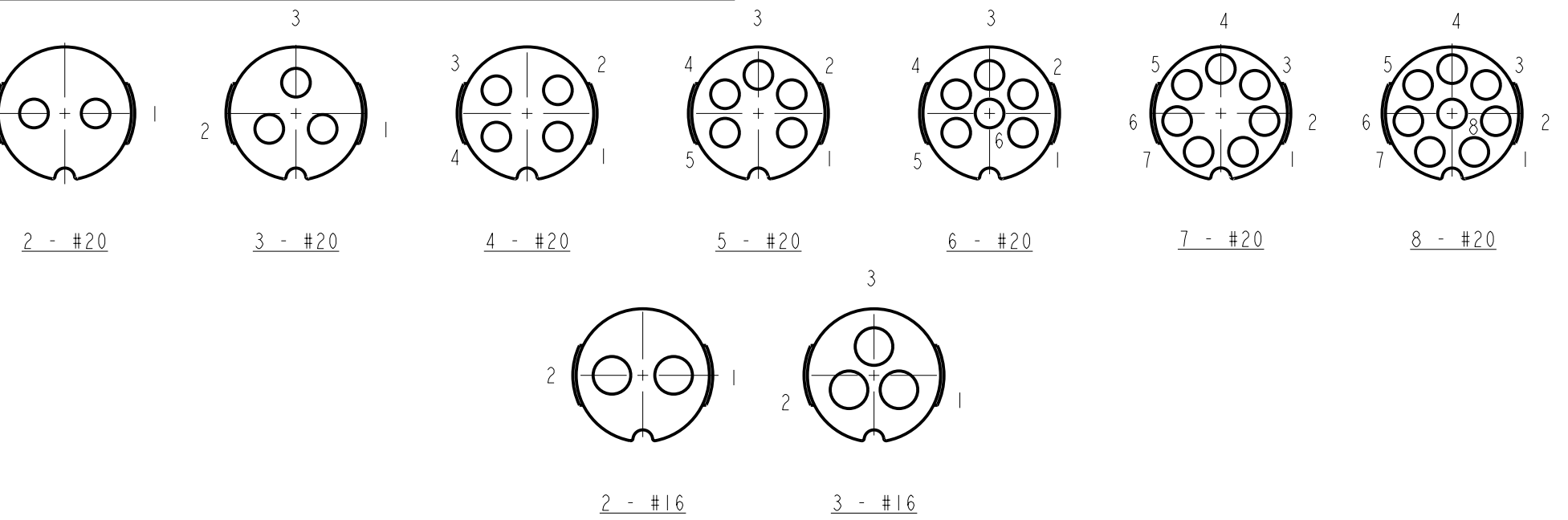
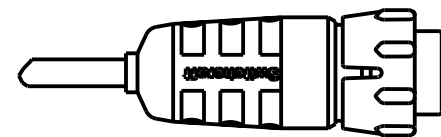
**STEP 2**  
ALIGN COUPLING RING'S TABS WITH CORD CONNECTOR'S SIDE NOTCHES AND PUSH THE COUPLING RING ONTO CORD CONNECTOR.



**STEP 3**  
PUSH THE CABLE CLAMP HOUSING FORWARD UNTIL IT LOCKS INTO THE CONNECTOR BODY AND SNAP THE TWO CLAMPS INTO ITS COMPARTMENTS.



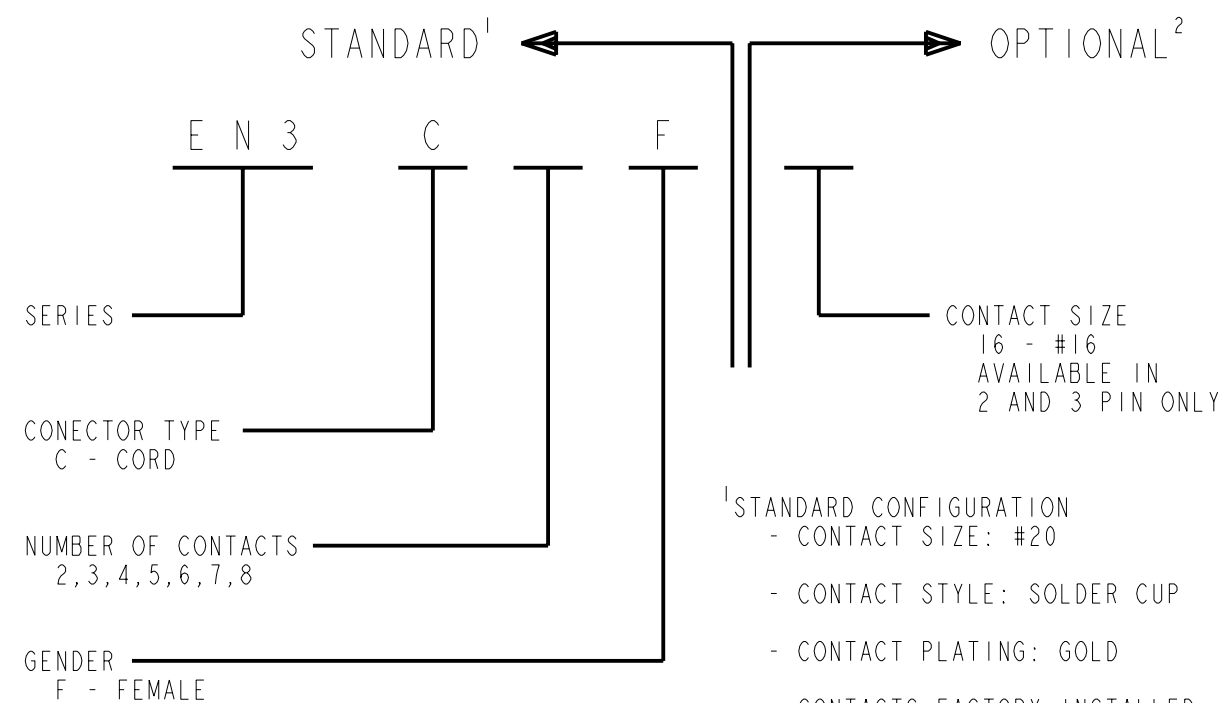
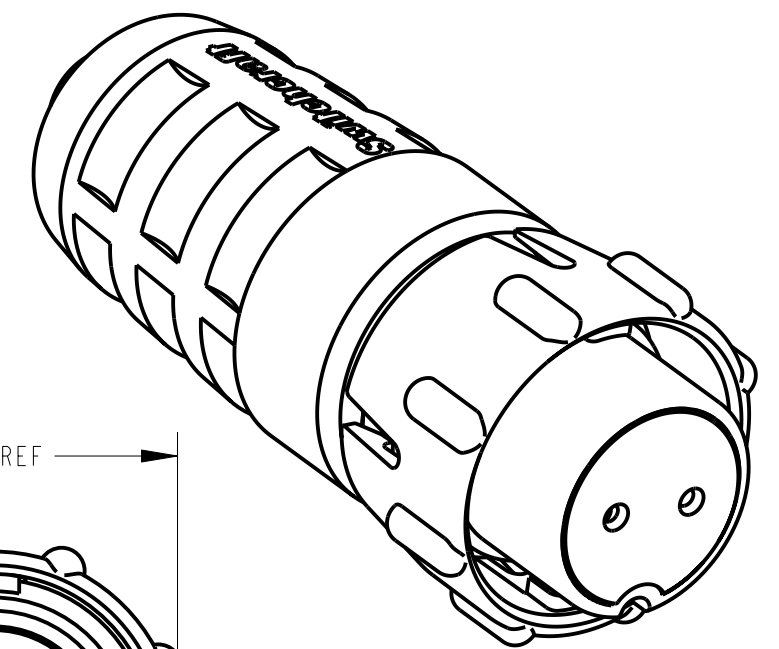
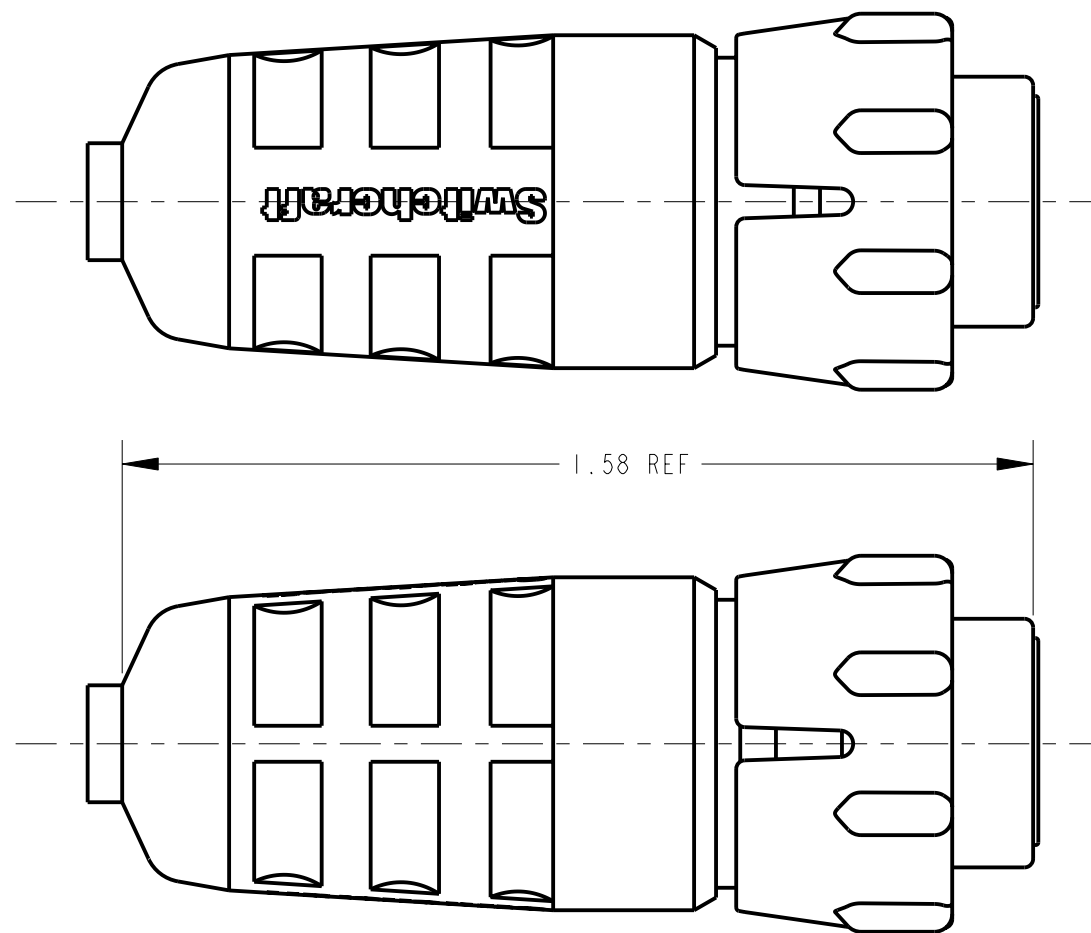
**STEP 4**  
PUSH THE BOOT ALL THE WAY FORWARD TO SEAT TIGHTLY ONTO THE CABLE CLAMP HOUSING.



### CONTACT ARRANGEMENTS

SHOWN ARE REAR VIEWS OF FEMALE CORD CONNECTORS

**MATERIALS:**  
CORD CONNECTOR SHELL, CONTACT LOCKING DISK, COUPLING RING AND CABLE CLAMP ASSEMBLY:  
THERMOPLASTIC POLYMER GLASS FIBER, FLAME RETARDANT  
REAR BOOT AND CONNECTOR SHELL INTERIOR:  
THERMOPLASTIC RUBBER  
CONTACTS: COPPER BASE ALLOY GOLD-PLATED OVER NICKEL UNDERPLATE



<sup>1</sup>STANDARD CONFIGURATION  
- CONTACT SIZE: #20  
- CONTACT STYLE: SOLDER CUP  
- CONTACT PLATING: GOLD  
- CONTACTS FACTORY INSTALLED  
- PACKAGED IN BULK

<sup>2</sup>OPTIONAL CONFIGURATION  
- LEAVE BLANK FOR STANDARD CONFIGURATION

CUSTOMER DRAWING

★ STAR SYMBOL DENOTES CRITICAL DIMENSION				THIS DRAWING DESCRIBES A DESIGN CONSIDERED PROPRIETARY IN NATURE, DEVELOPED AND MANUFACTURED BY SWITCHCRAFT INC. AND IS RELEASED ON A CONFIDENTIAL BASIS FOR IDENTIFICATION PURPOSES ONLY.				
UNLESS OTHERWISE SPECIFIED				SIZE	WIDTH	MULT	LBS/M	TEMPER
1. ALL DIMENSIONS IN INCHES - TWO PLACE DECIMALS ±0.01 - THREE PLACE DECIMALS ±0.005 - ANGLES ±1° - ALL DIA. CONCENTRIC WITHIN 0.005 T.I.R.				FINISH		MATERIAL		
2. FEATURES ON THE SAME CENTERLINE MUST BE ALIGNED WITHIN ±0.002				SPEC No.		SPEC No.		
3. REMOVE ALL BURRS				FIRST USED ON		SCALE		
DO NOT SCALE DRAWING				DATE DRAWN		APVD		
REVISIONS				BY		FL		
				CHKD		SCALE		
				SG		3:1		
				2-6-95		2-6-95		
				NAME				
				FEMALE CORD CONNECTOR				
				PART No.				
				EN3C_F				
				REV				
				G				

## X-ON Electronics

Largest Supplier of Electrical and Electronic Components

*Click to view similar products for [Standard Circular Connector](#) category:*

*Click to view products by [Switchcraft](#) manufacturer:*

Other Similar products are found below :

[C015](#) [10F006](#) [001](#) [1](#) [5M2530B10P](#) [600259N006](#) [600273N007](#) [600432N009](#) [6280-2PG-519](#) [6280-3PG-311](#) [6280-3SG-311](#) [6280-7SG-3DC](#)  
[6280-7SG-522](#) [6282-5PG-311](#) [6282-6PG-519](#) [6282-8SG-311](#) [6283-11](#) [6283-15](#) [6290](#) [6382-2PG-311](#) [6382-2PG-3DC](#) [6382-2SG-321](#) [6382-2SG-3DC](#) [6382-4SG-516](#) [67-03E20-37P](#) [681-PMG](#) [CXS3102A14S2P](#) [CXS3102A181S](#) [CXS3106A14S6S](#) [MB12P-1](#) [MB12R-6](#) [7251-2PG-300](#) [7251-2SG-300](#) [7251-4PG-300](#) [7251-4SG-300](#) [7251-5PG-300](#) [7251-5SG-300](#) [7251-6SG-300](#) [7251-7PG-300](#) [7251-8PG-300](#) [7271-6SG-300](#) [7282-3PG-300-CH3](#) [73000005663](#) [75-190216-08S](#) [75-190218-10P](#) [75-474118-10P](#) [75-474618-01S](#) [75-474620-07P](#) [799539-000](#) [MI8-SE](#) [80-190222-18P](#) [805-005-07NF11-19PC](#) [805-005-07NF15-7PA](#)