

NOTE: #7 AND #8 PIN NOT AVAILABLE IN FEMALE PANEL CONNECTORS

**SPECIFICATIONS**

**MECHANICAL:**  
 SHOCK: MIL-STD 202 METHOD 213B, COND. K.  
 VIBRATION: MIL-STD 202 METHOD 201  
 LIFE: 300 INSERTION/WITHDRAWAL CYCLES (MINIMUM)

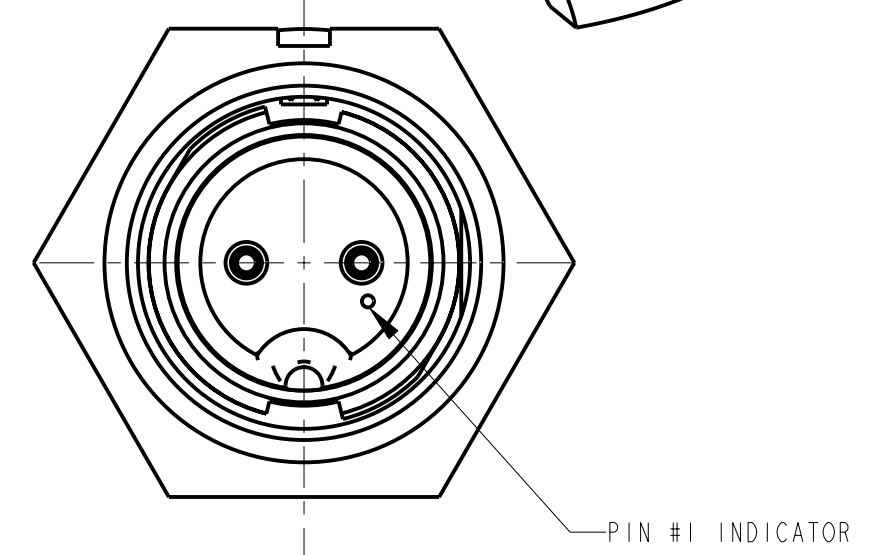
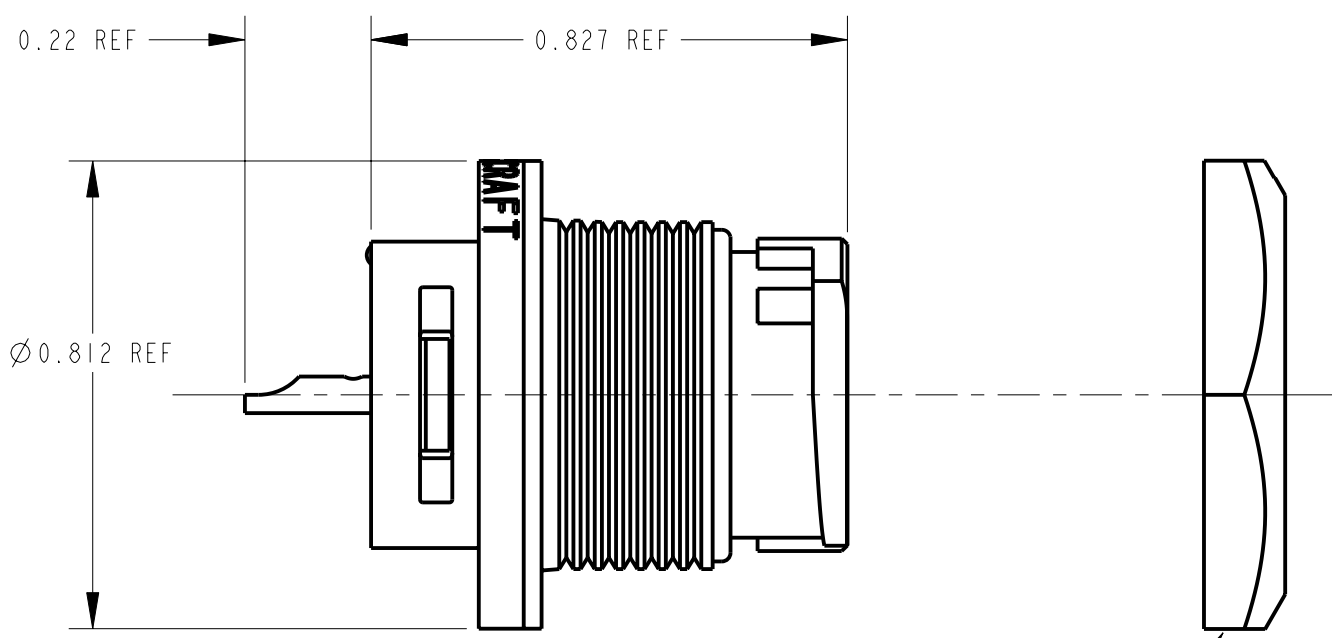
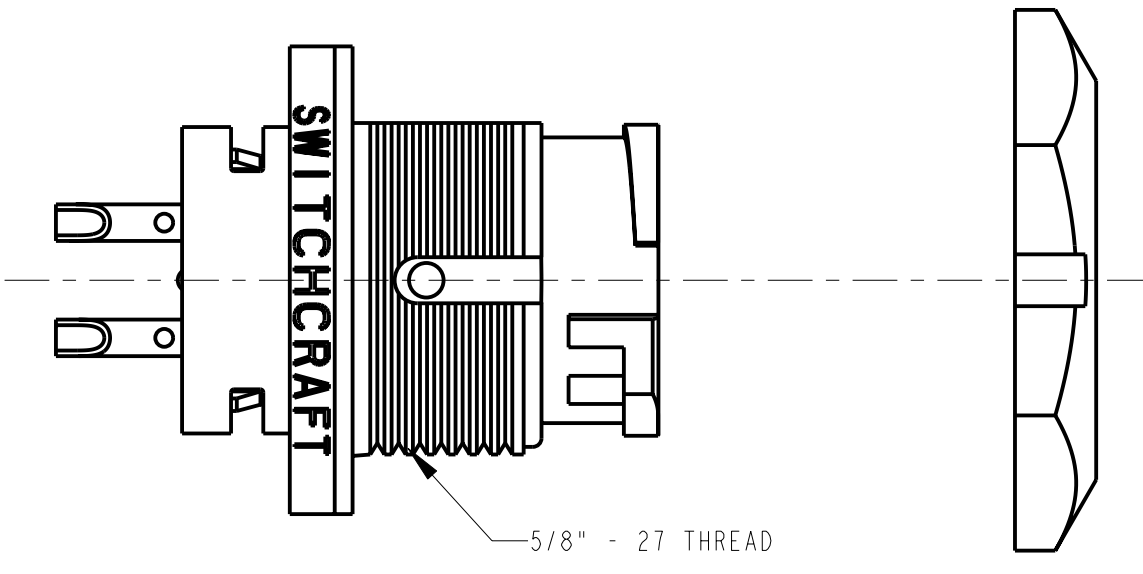
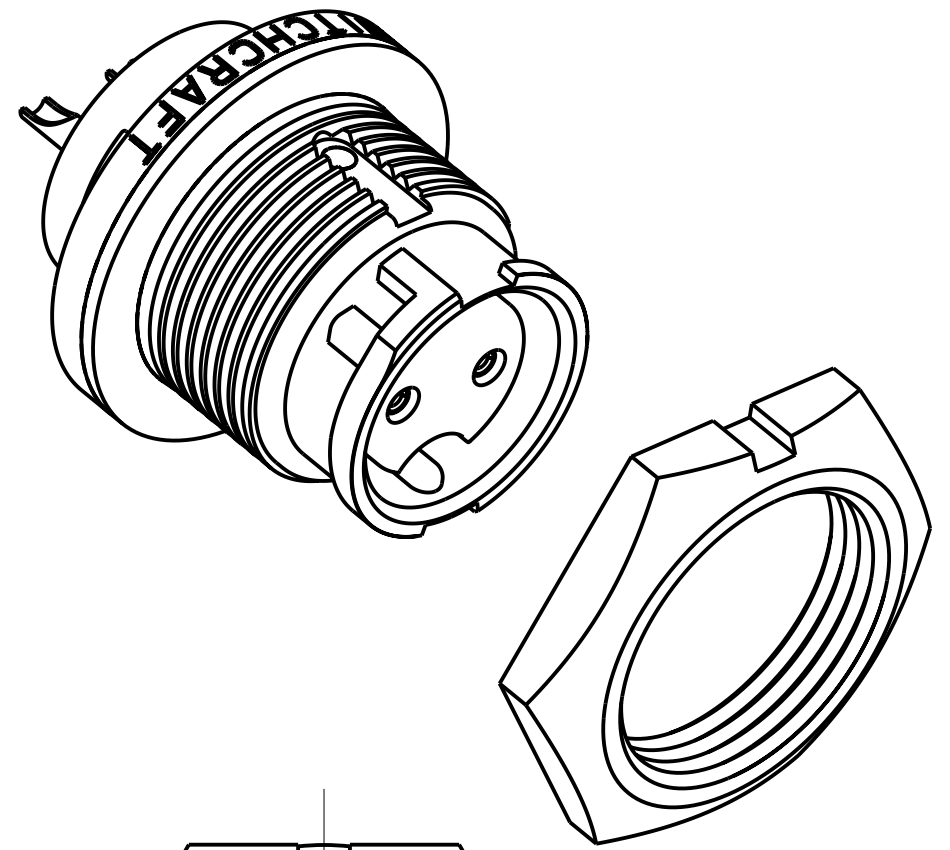
**ELECTRICAL**  
 DIELECTRIC WITHSTANDING VOLTAGE: 1,000 VAC  
 INSULATION RESISTANCE: 100 MEGOHMS (MIN) AT 77°F  
 CONTACT RESISTANCE: 5.0 MILLOHMS MAX.  
 CURRENT RATING: 7.5 AMPS (#20 CONTACT)  
 13.0 AMPS (#16 CONTACT)

**ENVIRONMENTAL**  
 TEMPERATURE LIMITS: -40°C TO +65°C (NON-OPERATING)  
 MOISTURE RESISTANCE: MIL-STD 202 METHOD 106F  
 INSULATION RESISTANCE: MIL-STD 202 METHOD 302, COND. B  
 THERMAL SHOCK: MIL-STD 202 METHOD 107G  
 SALT SPRAY: MIL-STD 202 METHOD 101D, COND. B  
 WATER TIGHTNESS TEST: U.S. COAST GUARD CFR 46 PART 110.20

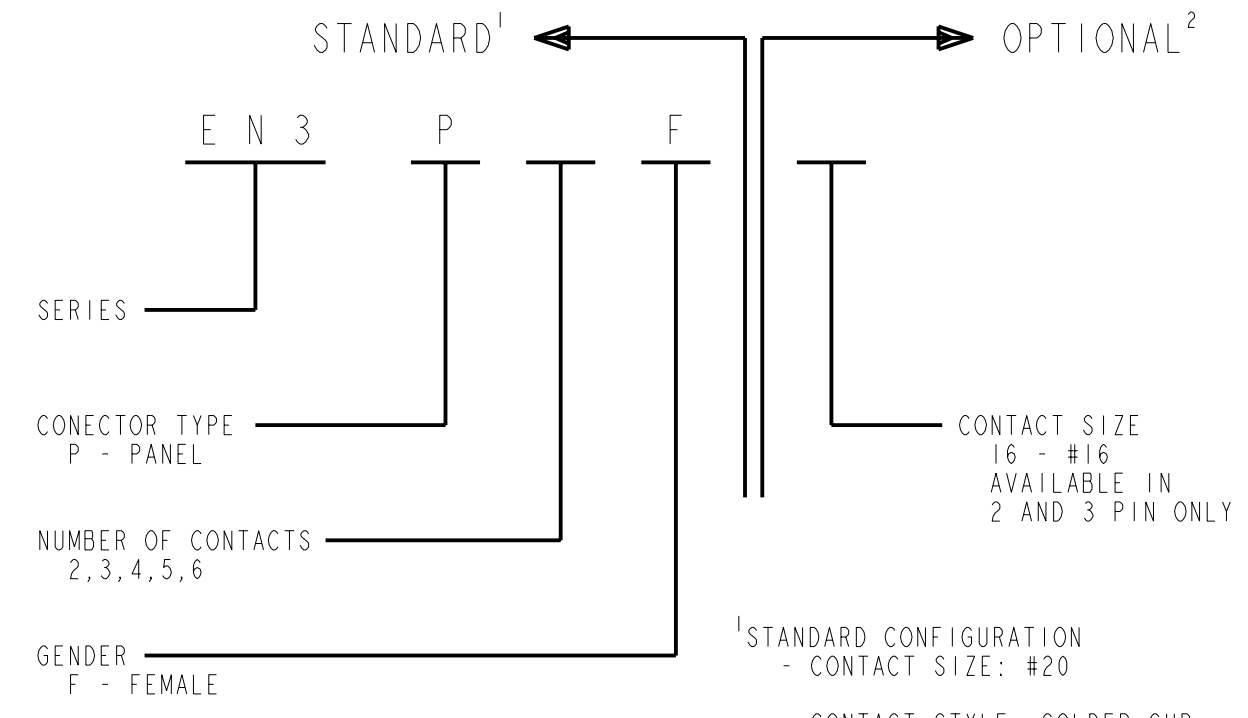
- NOTES:**
- HEX NUT TORQUE: 8 TO 10 INCH-LBS. OF TORQUE (MUST NOT EXCEED 10 INCH-LBS.)
  - HEX NUT SHIPPED UNASSEMBLED.

**CONTACT ARRANGEMENT**

SHOWN ARE REAR VIEWS OF FEMALE PANEL CONNECTORS



**MATERIALS:**  
 PANEL CONNECTOR SHELL, CONTACT LOCKING DISC: THERMOPLASTIC POLYMER GLASS FIBER, FLAME RETARDANT  
 CONNECTOR SHELL INTERIOR: THERMOPLASTIC RUBBER  
 CONTACTS: COPPER BASE ALLOY GOLD-PLATED OVER NICKEL UNDERPLATE  
 HEX NUT: THERMOPLASTIC



- <sup>1</sup>STANDARD CONFIGURATION  
 - CONTACT SIZE: #20  
 - CONTACT STYLE: SOLDER CUP  
 - CONTACT PLATING: GOLD  
 - CONTACTS FACTORY INSTALLED  
 - PACKAGED IN BULK
- <sup>2</sup>OPTIONAL CONFIGURATION  
 - LEAVE BLANK FOR STANDARD CONFIGURATION

CUSTOMER DRAWING

H	24661	3-4-04	JL	EB	★ STAR SYMBOL DENOTES CRITICAL DIMENSION	THIS DRAWING DESCRIBES A DESIGN CONSIDERED PROPRIETARY IN NATURE, DEVELOPED AND MANUFACTURED BY SWITCHCRAFT INC. AND IS RELEASED ON A CONFIDENTIAL BASIS FOR IDENTIFICATION PURPOSES ONLY.
G	ECO #23595	1-31-01	TJK	TJK	UNLESS OTHERWISE SPECIFIED	SIZE WIDTH MULT LBS/M TEMPER
F	ECO #22232	2-23-98	SG	SC	1. ALL DIMENSIONS IN INCHES - TWO PLACE DECIMALS ±0.01 - THREE PLACE DECIMALS ±0.005 - ANGLES ±1° - ALL DIA. CONCENTRIC WITHIN 0.005 T.I.R.	FINISH SPEC No. MATERIAL SPEC No.
E	ECO #21577	12-30-93	MM	FL	2. FEATURES ON THE SAME CENTERLINE MUST BE ALIGNED WITHIN ±0.002	FIRST USED ON SCALE 3:1
D	ECO #21461	12-2-96	MM	FL	3. REMOVE ALL BURRS	DATE DRAWN BY CHKD APVD 1-28-95 SG 2-27-95 FL 2-27-95
C	ECO #19818	10-9-95	RC	KS	DO NOT SCALE DRAWING	NAME SHEET OF REV FEMALE PANEL CONNECTORS EN3P_F SERIES
B	FIRST DRAWN	1-28-95	SG	FL		PART No. EN3P_F
REV	ECO NUMBER	DATE	BY	APVD		REV H

## X-ON Electronics

Largest Supplier of Electrical and Electronic Components

*Click to view similar products for [Standard Circular Connector](#) category:*

*Click to view products by [Switchcraft](#) manufacturer:*

Other Similar products are found below :

[5M2530B10P](#) [600259N006](#) [600273N007](#) [6134-336-13149](#) [6134-337-11149](#) [6134-337-2390](#) [6134-341-17149](#) [6280-4SG-516](#) [6280-7SG-3DC](#)  
[6290](#) [6291A](#) [66200A-10](#) [680-SMG](#) [681-PMG](#) [CXS3102A14S2P](#) [CXS3102A181S](#) [7271-6SG-300](#) [7282-3PG-300-CH3](#) [75-474014-05S](#) [75-](#)  
[474618-01S](#) [75-474618-04P](#) [75-474618-04S](#) [799539-000](#) [MI8-SE](#) [805-005-07NF11-19PC](#) [805-005-07NF15-7PA](#) [8280-4PG-516](#) [8280-7PG-](#)  
[519](#) [8282-5PG-519](#) [836783-1](#) [MP-4102-25P-C](#) [862256-1](#) [864019-2](#) [866857-1](#) [867865-1](#) [PT01SP-14-18P](#) [PT08P-14-5S](#) [120-1833-000](#)  
[QCM019PC2DC012B](#) [1-2069279-1](#) [121583-0217](#) [121667-0020](#) [129591AU](#) [1000B BULK](#) [RD10A16-19-P6CS051/1](#) [RD10A20-31-](#)  
[P8CS051/1](#) [RD16A14-12-S6CS051/2](#) [1301240290](#) [1301240347](#) [1301860202](#) [1301240268](#)