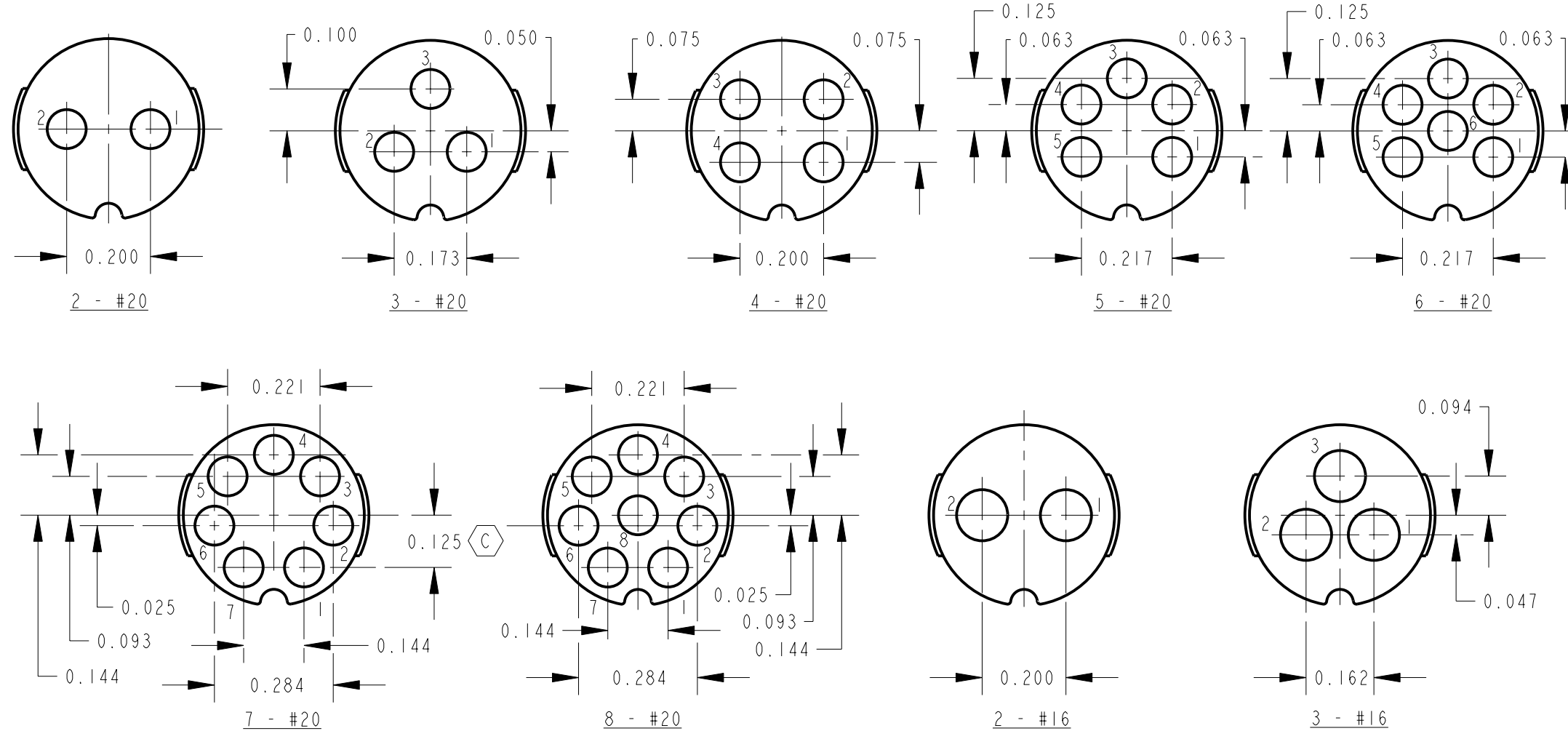
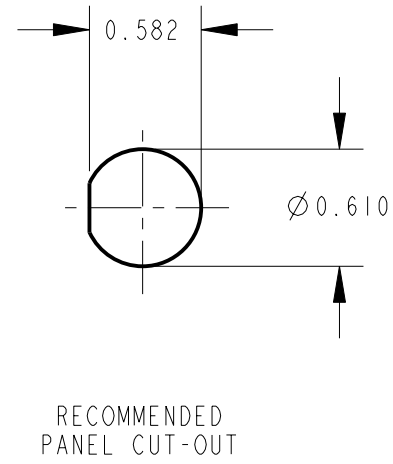
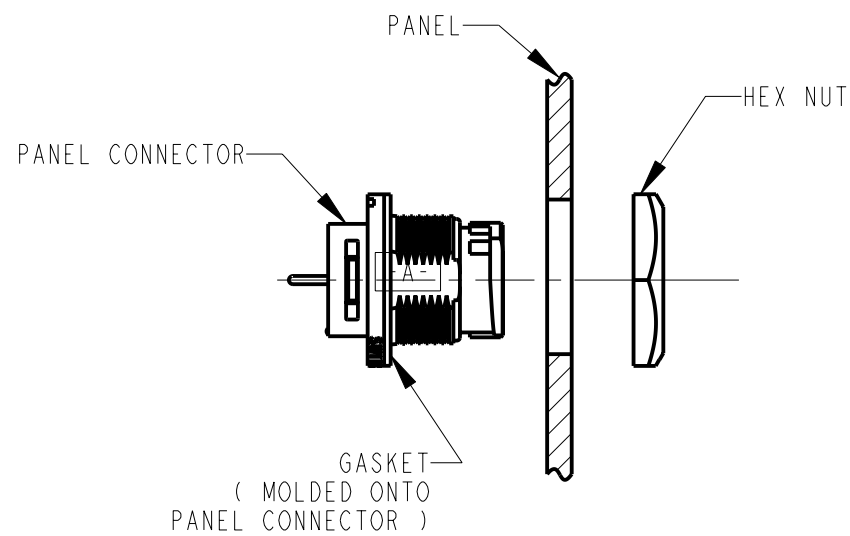


SWITCHCRAFT PANEL CONNECTOR ASSEMBLY INSTRUCTIONS



HOLE LAYOUTS VIEWED FROM FRONT OF CONNECTOR
 RECOMMENDED HOLE SIZE: #20 CONTACT: .046" DIA.
 #16 CONTACT: .055" DIA.

SPECIFICATIONS

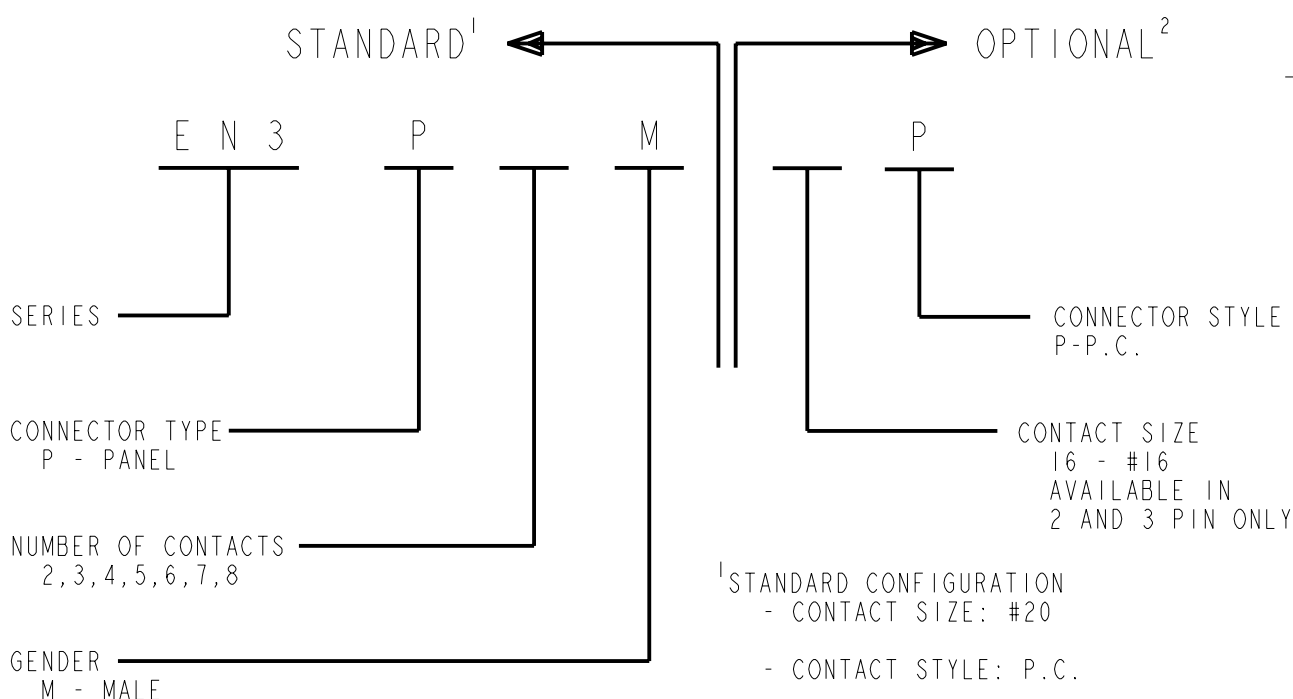
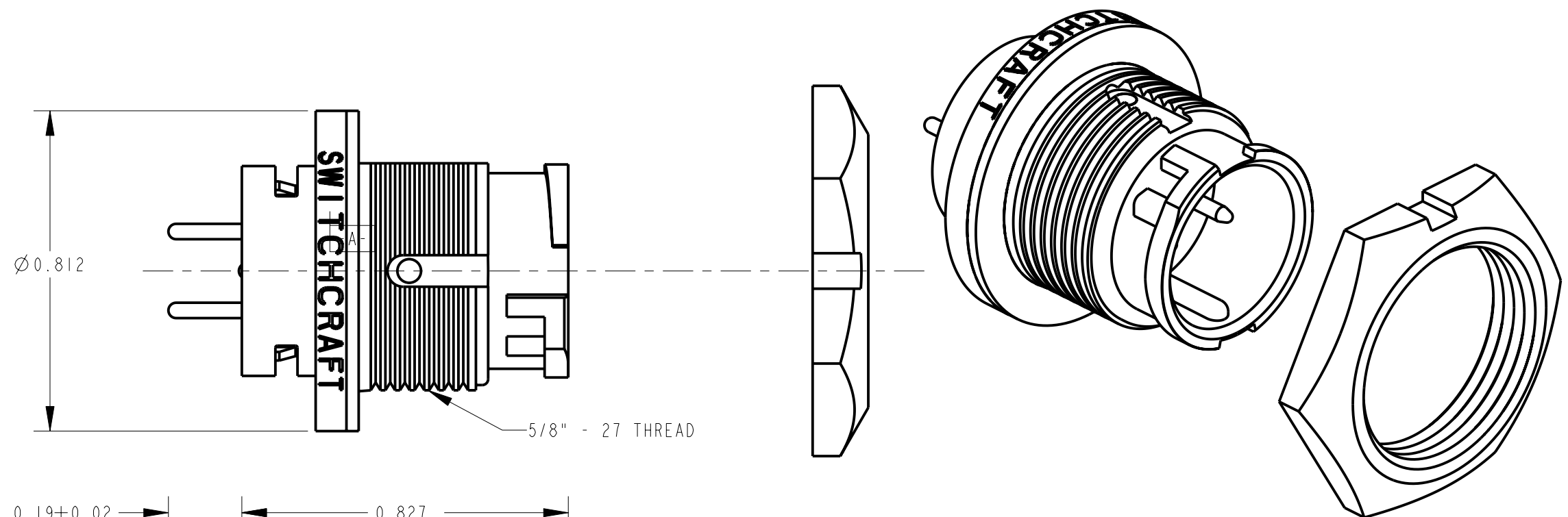
MECHANICAL:
 SHOCK: MIL-STD 202 METHOD 213B, COND. K.
 VIBRATION: MIL-STD 202 METHOD 201
 LIFE: 300 INSERTION/WITHDRAWAL CYCLES (MINIMUM)

ELECTRICAL
 DIELECTRIC WITHSTANDING VOLTAGE: 1,000 VAC
 INSULATION RESISTANCE: 100 MEGOHMS (MIN) AT 77°F
 CONTACT RESISTANCE: 5.0 MILLOHMS MAX.
 CURRENT RATING: 7.5 AMPS (#20 CONTACT)
 6.5 AMPS (7 & 8 PIN #20 CONTACT)
 13.0 AMPS (#16 CONTACT)

ENVIRONMENTAL
 TEMPERATURE LIMITS: -40°C TO +65°C (NON-OPERATING)
 MOISTURE RESISTANCE: MIL-STD 202 METHOD 106F
 INSULATION RESISTANCE: MIL-STD 202 METHOD 302, COND. B
 THERMAL SHOCK: MIL-STD 202 METHOD 107G
 SALT SPRAY: MIL-STD 202 METHOD 101D, COND. B
 WATER TIGHTNESS TEST: U.S. COAST GUARD CFR 46 PART 110.20

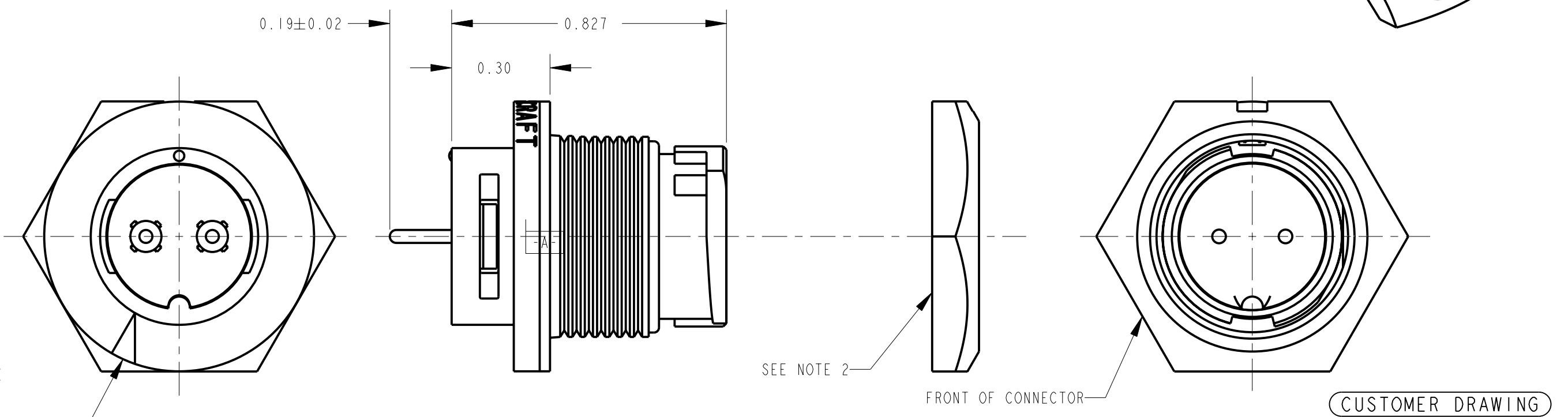
- NOTES:
- HEX NUT TORQUE: 8 TO 10 INCH-LBS. OF TORQUE (MUST NOT EXCEED 10 INCH-LBS.)
 - HEX NUT SHIPPED UNASSEMBLED.

MATERIALS:
 PANEL CONNECTOR SHELL, CONTACT LOCKING DISC: THERMOPLASTIC POLYMER GLASS FIBER, FLAME RETARDANT
 CONNECTOR SHELL INTERIOR: THERMOPLASTIC RUBBER
 CONTACTS: COPPER BASE ALLOY GOLD-PLATED OVER NICKEL UNDERPLATE
 HEX NUT: THERMOPLASTIC



¹STANDARD CONFIGURATION
 - CONTACT SIZE: #20
 - CONTACT STYLE: P.C.
 - CONTACTS FACTORY INSTALLED
 - PACKAGED IN BULK

²OPTIONAL
 CONNECTOR STYLE P-P.C.
 CONTACT SIZE 16 - #16 AVAILABLE IN 2 AND 3 PIN ONLY



★ STAR SYMBOL DENOTES CRITICAL DIMENSION				THIS DRAWING DESCRIBES A DESIGN CONSIDERED PROPRIETARY IN NATURE, DEVELOPED AND MANUFACTURED BY SWITCHCRAFT INC. AND IS RELEASED ON A CONFIDENTIAL BASIS FOR IDENTIFICATION PURPOSES ONLY.						
F	24661	3-4-04	JL	EB	UNLESS OTHERWISE SPECIFIED	SIZE	WIDTH	MULT	LBS/M	TEMPER
E	23595	2-6-01	JL	DK	1. ALL DIMENSIONS IN INCHES	FINISH				
D	22232	2-20-98	SG	SC	- TWO PLACE DECIMALS ±0.01	SPEC No.				
C	ECO #21600	4-18-97	OM	FL	- THREE PLACE DECIMALS ±0.005	MATERIAL				
B	ECO #21461	11-1-96	MM	FL	- ANGLES ±1°	SPEC No.				
A	RELEASE TO MFG. ECO #21376	9-19-96	SG	FL	- ALL DIA. CONCENTRIC WITHIN 0.005 T.I.R.	FIRST USED ON				
REV	ECO NUMBER	DATE	BY	APVD	2. FEATURES ON THE SAME CENTERLINE MUST BE ALIGNED WITHIN ±0.002	DATE DRAWN	BY	CHKD	APVD	SCALE
REVISIONS					3. REMOVE ALL BURRS	3-8-96	CCB	CCB	FL	3:1
					DO NOT SCALE DRAWING	Switchcraft®				
						SHEET OF				
						NAME				
						PART No.				
						MALE PANEL CONNECTOR				
						EN3P_M_P				
						REV				
						F				

X-ON Electronics

Largest Supplier of Electrical and Electronic Components

Click to view similar products for [Standard Circular Connector](#) category:

Click to view products by [Switchcraft](#) manufacturer:

Other Similar products are found below :

[5M2530B10P](#) [600259N006](#) [600273N007](#) [6134-336-13149](#) [6134-337-11149](#) [6134-337-2390](#) [6134-341-17149](#) [6280-4SG-516](#) [6280-7SG-3DC](#)
[6290](#) [6291A](#) [66200A-10](#) [680-SMG](#) [681-PMG](#) [CXS3102A14S2P](#) [CXS3102A181S](#) [7271-6SG-300](#) [7282-3PG-300-CH3](#) [75-474014-05S](#) [75-](#)
[474618-01S](#) [75-474618-04P](#) [75-474618-04S](#) [799539-000](#) [MI8-SE](#) [805-005-07NF11-19PC](#) [805-005-07NF15-7PA](#) [8280-4PG-516](#) [8280-7PG-](#)
[519](#) [8282-5PG-519](#) [836783-1](#) [MP-4102-25P-C](#) [862256-1](#) [864019-2](#) [866857-1](#) [867865-1](#) [PT01SP-14-18P](#) [PT08P-14-5S](#) [120-1833-000](#)
[QCM019PC2DC012B](#) [1-2069279-1](#) [121583-0217](#) [121667-0020](#) [129591AU](#) [1000B BULK](#) [RD10A16-19-P6CS051/1](#) [RD10A20-31-](#)
[P8CS051/1](#) [RD16A14-12-S6CS051/2](#) [1301240290](#) [1301240347](#) [1301860202](#) [1301240268](#)