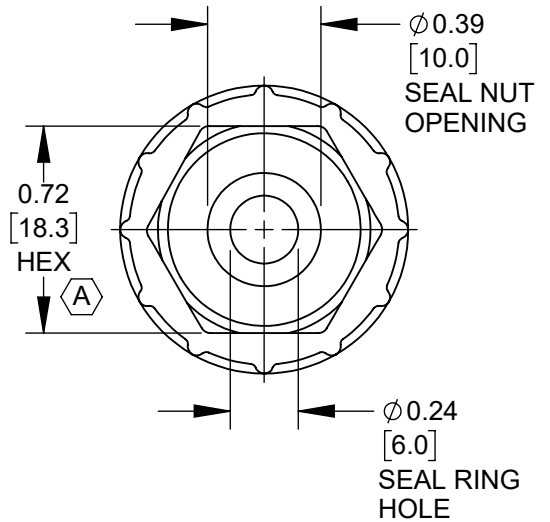
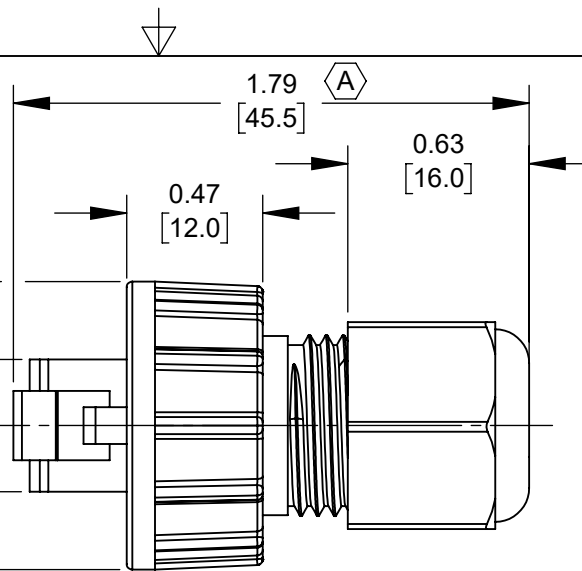


13/16-28 UNS
THREAD

0.26
[6.6]
RJ45 PLUG

Ø 1.00
[25.4]

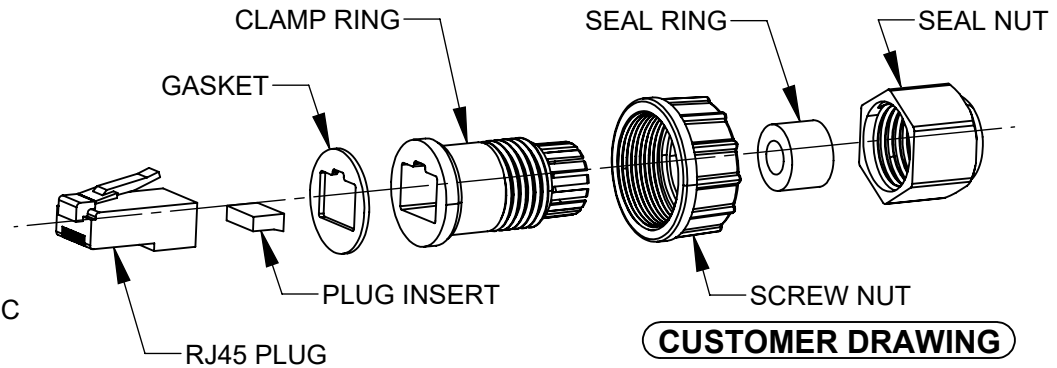
0.46
[11.7]



NOTES:

1. IP67 RATED WHEN PROPERLY ASSEMBLED.
2. CABLE RANGE: Ø 0.177 - 0.236 [4.5 - 6.0].
3. ALL PARTS SHIPPED ASSEMBLED.
4. MATERIALS:
RJ45 PLUG - CAT6 SHIELDED PLUG
GASKET AND SEAL RING - BLACK, EPDM RUBBER
CLAMP RING, SCREW NUT, SEAL NUT- BLACK, THERMOPLASTIC
5. THIS PRODUCT IS RoHS COMPLIANT

A



CUSTOMER DRAWING

A	28311	08/24/20	PC	TJK
REV	ECO NUMBER	DATE	BY	APVD
REVISIONS				

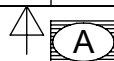
UNLESS OTHERWISE SPECIFIED

1. ALL DIMENSIONS IN INCHES [mm]
- TWO PLACE DECIMALS ±0.02 [0.5]
- THREE PLACE DECIMALS ±0.005 [0.13]

DO NOT SCALE DRAWING

THIS DRAWING DESCRIBES A DESIGN CONSIDERED PROPRIETARY IN NATURE, DEVELOPED AND MANUFACTURED BY SWITCHCRAFT INC. AND IS RELEASED ON A CONFIDENTIAL BASIS FOR IDENTIFICATION PURPOSES ONLY.									
SIZE	WIDTH	MULT	LBS/M	TEMPER					
FINISH					MATERIAL				
SPEC No.					SPEC No.				
FIRST USED ON				SCALE 1.5:1					
DATE DRAWN	BY	CHKD	APVD						
7/7/20	FM	FM	TJK						
		7/7/20	7/17/20						
NAME					PART No.				
SEALED RJ45 CAT6 SHIELDED PLUG, CABLE RANGE Ø 4.5 - 6.0mm					ENDC6S				
					REV				
					A				

SolidWorks CAD File



X-ON Electronics

Largest Supplier of Electrical and Electronic Components

Click to view similar products for [Modular Connectors / Ethernet Connectors](#) category:

Click to view products by [SWITCHCRAFT](#) manufacturer:

Other Similar products are found below :

[8949-H88/06BLKA/SN](#) [74441-0010/BKN](#) [MP1010RX-1000](#) [MP44RX-1000](#) [PHJ-4P4C-1-V-4](#) [PHP-6P6C-5](#) [GAX-3-66](#) [GAX-8-62](#) [GDCX-PA-66-50](#) [GDCX-PN-64](#) [GDCX-PN-66](#) [GDCX-PN-66-50](#) [GDLX-A-66](#) [GDLX-N-66](#) [GDLX-S-66](#) [GDLX-S-88K](#) [GDTX-S-88-50](#) [GDX-PA-1010](#) [GLX-N-1010M-BLK](#) [GLX-S-88M-BLK](#) [GMX-N-1010](#) [GMX-S-1010](#) [GMX-S-66](#) [GMX-SMT4-N-88](#) [GPX-2-64](#) [GSGX-N-2-88](#) [GSGX-N-4-88](#) [GSX-NS2-88-3.05](#) [GSX-NS2-88-3.05-50](#) [GSX-NS-88-3.05-50](#) [PT-108A-8C-UL](#) [PT-J951-8C](#) [PTS-J531-8CS-50UL](#) [1-1775629-2](#) [A-2014-0-4](#) [GWLX-S-88-GR](#) [GWLX-S9-88-YG](#) [DC-1021-8-WH-6](#) [1300530003](#) [1324640-4](#) [RJ11FTVC2G](#) [RJ11FTVC2N](#) [RJFTVX2SA1G](#) [132764-001](#) [1413235](#) [MP88X-1000](#) [MPS88RX-5000](#) [E5288-S000K3-L](#) [E5908-15A242-L](#) [155302-001](#)