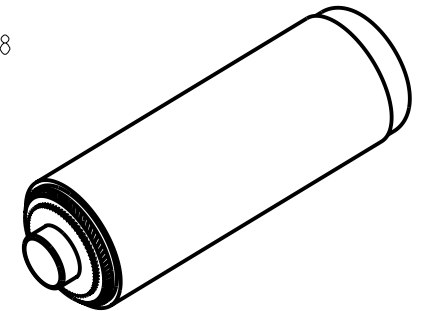
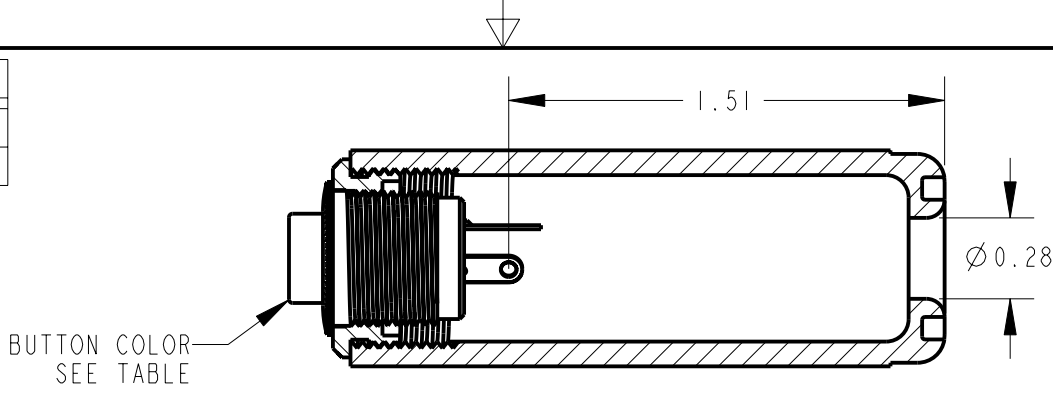


PART NUMBER	BUTTON COLOR
EP903	RED
EP913	BLACK

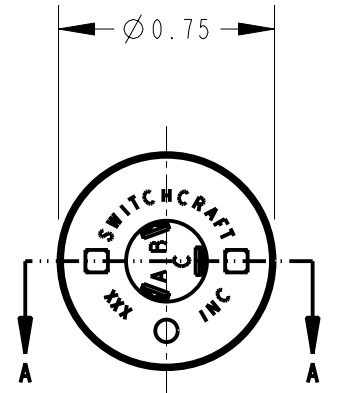
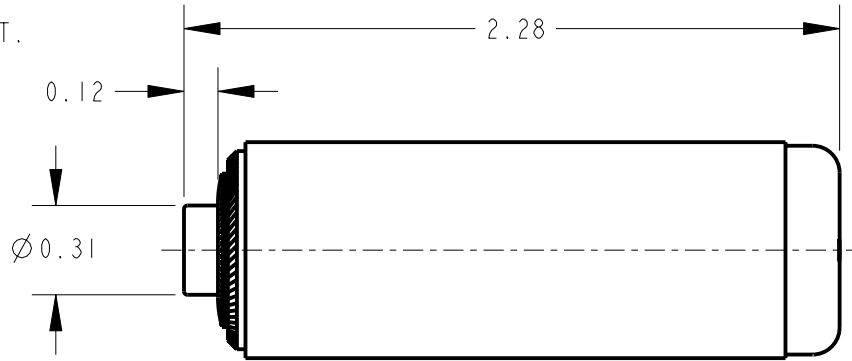


SECTION A-A

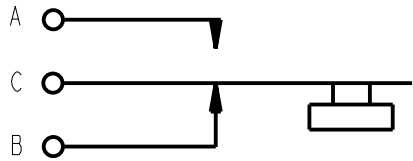
NOTES:

- MATERIALS:  
 PUSHBUTTON - THERMOPLASTIC, SEE TABLE FOR COLOR  
 SWITCH HOUSING & ADAPTER - COPPER ALLOY, NICKEL PLATED  
 SWITCH TERMINALS - COPPER ALLOY, SILVER PLATED  
 SWITCH SPRING - STAINLESS STEEL  
 SWITCH INSULATORS - PHENOLIC  
 HANDLE - THERMOPLASTIC, BLACK

2. THESE PRODUCTS ARE RoHS COMPLIANT.



CUSTOMER DRAWING



SCHEMATIC

					★ STAR SYMBOL DENOTES CRITICAL DIMENSION	THIS DRAWING DESCRIBES A DESIGN CONSIDERED PROPRIETARY IN NATURE, DEVELOPED AND MANUFACTURED BY SWITCHCRAFT INC. AND IS RELEASED ON A CONFIDENTIAL BASIS FOR IDENTIFICATION PURPOSES ONLY.					
					UNLESS OTHERWISE SPECIFIED	SIZE	WIDTH	MULT	LBS/M	TEMPER	
					1. ALL DIMENSIONS IN INCHES - TWO PLACE DECIMALS ±0.01 - THREE PLACE DECIMALS ±0.005 - ANGLES ±1° - ALL DIA. CONCENTRIC WITHIN 0.005 T.I.R.	FINISH		MATERIAL			
					2. FEATURES ON THE SAME CENTERLINE MUST BE ALIGNED WITHIN ±0.002	SPEC No.		SPEC No.			
					3. REMOVE ALL BURRS	FIRST USED ON		SCALE		<b>Switchcraft®</b>	
								3:2			
E	21131	3-18-13	TO	TJK		DATE DRAWN	BY	CHKD	APVD		
						18-Mar-13	TO	TO	TJK		
								3-18-13	3-19-13		
REV	ECO NUMBER	DATE	BY	APVD		NAME		PART No.		REV	
					DO NOT SCALE DRAWING	CORD SWITCH, RoHS		EP903_EP913		E	
REVISIONS											



## X-ON Electronics

Largest Supplier of Electrical and Electronic Components

*Click to view similar products for [Pushbutton Switches](#) category:*

*Click to view products by [Switchcraft](#) manufacturer:*

Other Similar products are found below :

[8940K2012](#) [LW1L-M1C10V-A](#) [LW1L-M1C70-A](#) [LW2L-A1C20M-GD](#) [LW2L-M1C20M-A](#) [60324L](#) [M22-D-R-GB0/K11](#) [M7E-HRN2](#)  
[67021K512](#) [67081K512X](#) [701PB580](#) [7199K101](#) [810K12910](#) [810KSV30B](#) [MML21EA2ADK](#) [MML21KA3ABK](#) [MML23KA3AC05K-001](#)  
[MML23KW3AA01W](#) [8418K2](#) [8442K2](#) [8442K3](#) [8450K1](#) [860K11911T01A](#) [861901](#) [861K11911T01A07](#) [861K13810T00A14](#) [861K13911](#)  
[8646AB6X718UL](#) [8646ABUL](#) [9001KXRK](#) [907AYY100](#) [PMHD155A1](#) [9533CD4+U574+U4922](#) [95-414.000](#) [99-450.837](#) [99-453.837](#)  
[PV3H2B0NN-341](#) [1203MRA](#) [A22NZBGANGA](#) [A22NZBNANGA](#) [A22NZMPATRA](#) [A2PMA1X03EC56](#) [A3A-5123-02](#) [A3A-7140](#) [A3A-](#)  
[7310](#) [A3A-7340](#) [A3U-TMW-A2C-5M](#) [A595](#) [12037A2ULCSA](#) [ABD122N-B](#)