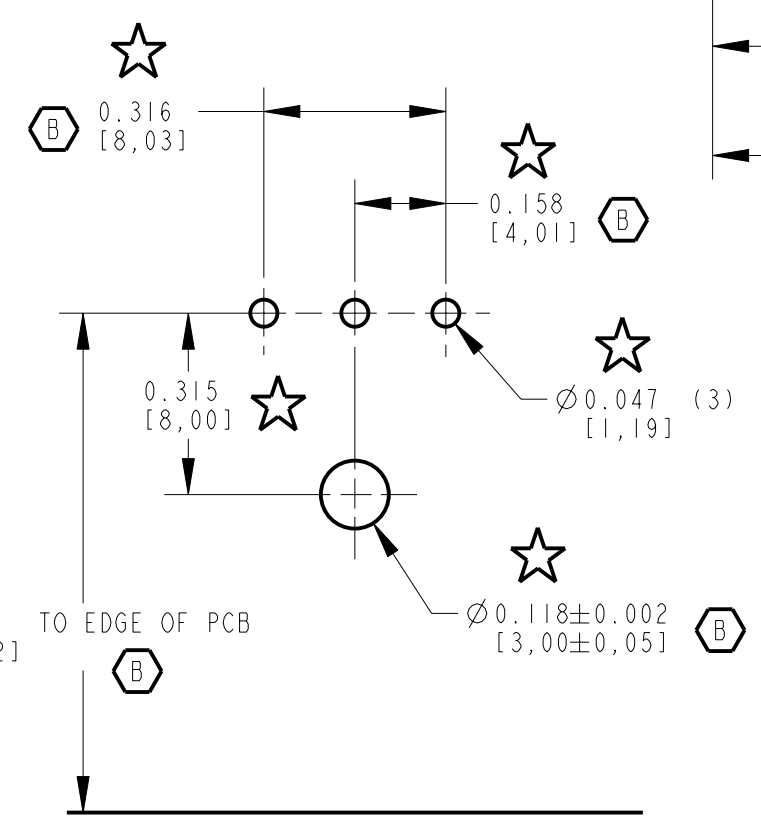
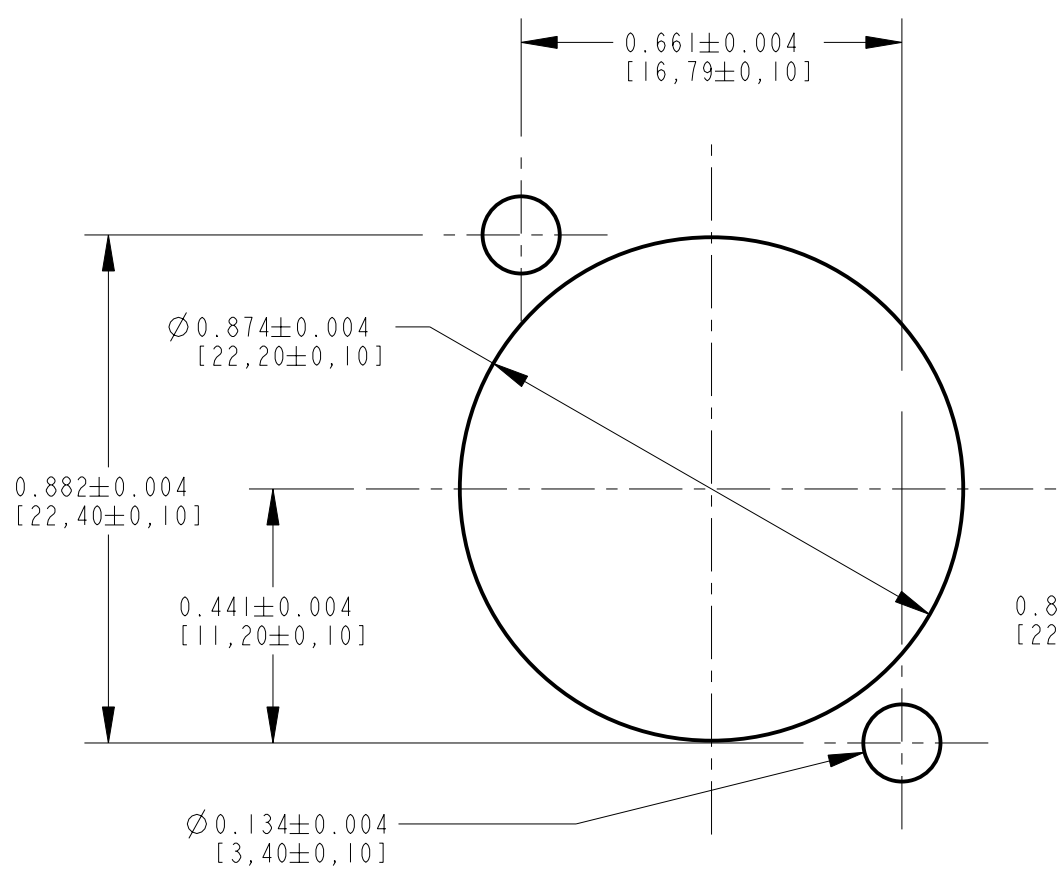
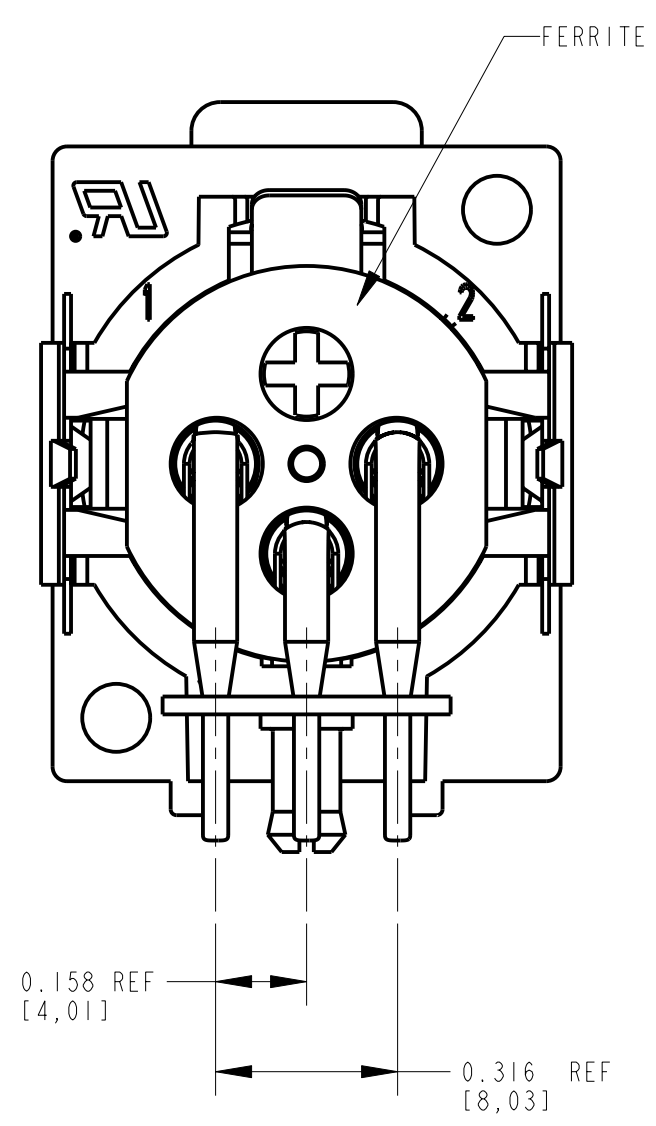
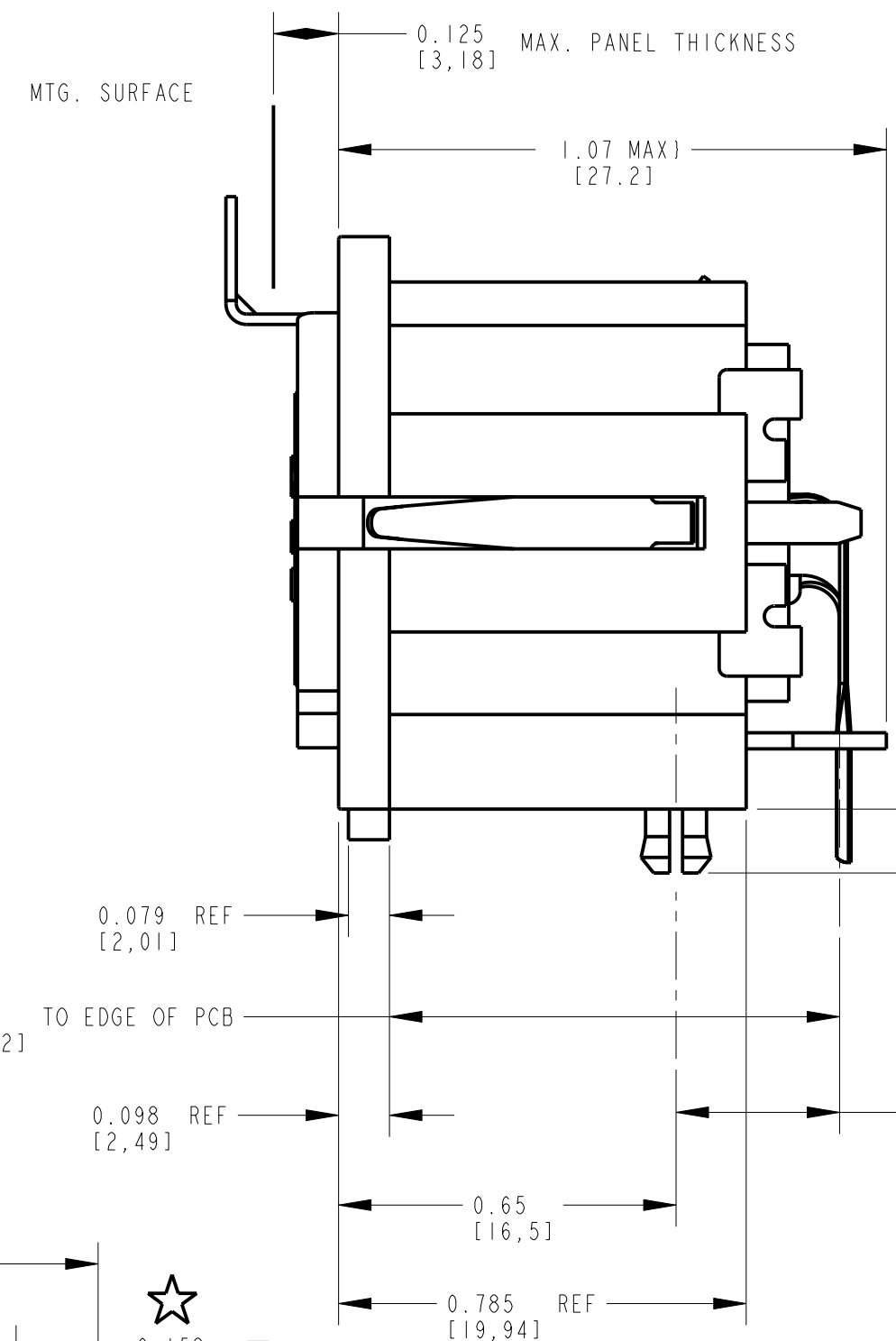
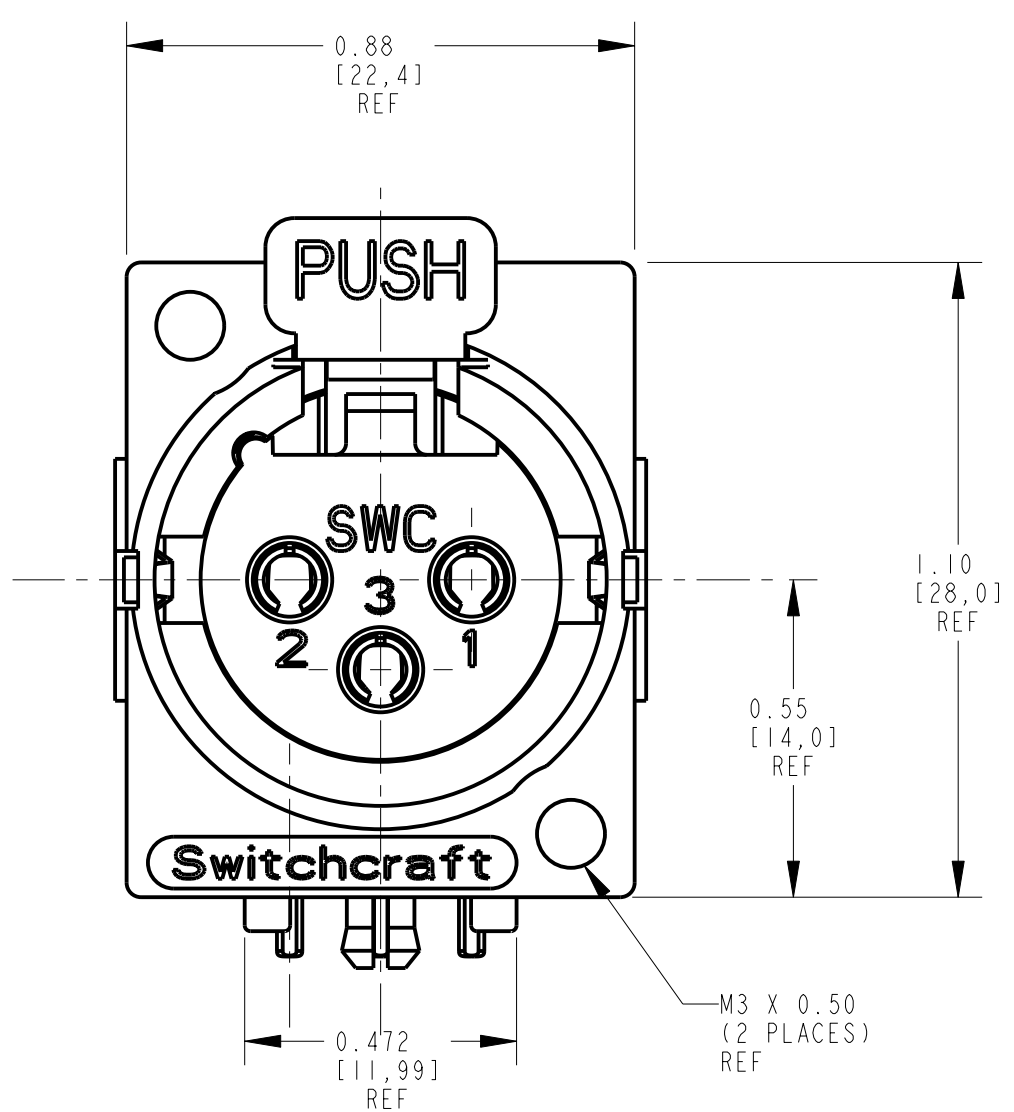


MATERIALS:

HOUSING - ZINC ALLOY, NICKEL PLATED
 CONTACTS - COPPER ALLOY, SILVER PLATED
 INSULATOR - THERMOPLASTIC, UL 94V-0 RATED
 INSULATING SPACER - PHENOLIC
 GROUND PIN - COPPER ALLOY, TIN PLATED
 GROUND SPRING - HEAT TREATED STEEL OR COPPER ALLOY, TIN PLATED
 RELEASE LEVER - C.R.S., NICKEL PLATED
 LATCH SPRING - HEAT TREATED STEEL, NICKLE PLATED
 FERRITE - NICKEL ZINC, K-100
 RATED CURRENT - 3 AMP
 SERVICE VOLTAGE - 133 VAC

RELEASE LEVER THROW 0.100 [2,5]



RECOMMENDED MOUNTING PANEL LAYOUT

RECOMMENDED P.C. BOARD LAYOUT
 (0.062 [1.57] THICK P.C. BOARD REF.)

CUSTOMER DRAWING

| | | | | | | | | | | | | |
|-----|------------|------|----|---|--|--|--|--|--------------------------------------|-------------------|-----------------|--------------------|
| | | | | ★ STAR SYMBOL DENOTES CRITICAL DIMENSION | | | | THIS DRAWING DESCRIBES A DESIGN CONSIDERED PROPRIETARY IN NATURE, DEVELOPED AND MANUFACTURED BY SWITCHCRAFT INC. AND IS RELEASED ON A CONFIDENTIAL BASIS FOR IDENTIFICATION PURPOSES ONLY. | | | | |
| | | | | UNLESS OTHERWISE SPECIFIED | | | | SIZE | WIDTH | MULT | LBS/M | TEMPER |
| | | | | 1. ALL DIMENSIONS IN INCHES - TWO PLACE DECIMALS ±0.01 - THREE PLACE DECIMALS ±0.005 - ANGLES ±1° - ALL DIA. CONCENTRIC WITHIN 0.005 T.I.R. | | | | FINISH SPEC No. | | MATERIAL SPEC No. | | |
| | | | | 2. FEATURES ON THE SAME CENTERLINE MUST BE ALIGNED WITHIN ±0.002 | | | | FIRST USED ON | | SCALE 3:1 | | |
| | | | | 3. REMOVE ALL BURRS | | | | DATE DRAWN | BY | CHKD | APVD | Switchcraft |
| | | | | DO NOT SCALE DRAWING | | | | 21-Jan-02 | KJB | TJK | KJB | |
| REV | ECO NUMBER | DATE | BY | APVD | | | | | NAME FEMALE 3 PIN QG RA/PC W/FERRITE | | PART No. F3FRAF | REV B |

X-ON Electronics

Largest Supplier of Electrical and Electronic Components

Click to view similar products for [XLR Connectors](#) category:

Click to view products by [Switchcraft](#) manufacturer:

Other Similar products are found below :

[707-0300](#) [A3F01](#) [A3M01](#) [QGP3F](#) [HA16PRM-3SG\(71\)](#) [AA3FL](#) [AAA4FWZ](#) [AAA4MWZ](#) [AC5FPZB](#) [AC6AFDZV](#) [D4FB](#) [DE4MW](#)
[E3MBAUSW](#) [99.265.0400.0](#) [A3F04](#) [AC3FG](#) [AC4-FCP](#) [AQG4F](#) [2504FP](#) [R6MZ](#) [3FD-V-I-B](#) [3MD-V-I-B](#) [TA01](#) [TA3MWX](#) [TA5MLWX](#)
[TRASM4M1X](#) [TRASM7M1X](#) [ML1](#) [TS05TS](#) [3FD-L-I-\(O\)](#) [D6FDB](#) [DB25FTRS](#) [DHNF-BAG-MAD](#) [DHNF-BAG-O](#) [DHNM-BAG](#)
[XLRF05TRS](#) [XLRM05XLRF](#) [XLRM05XLRFB](#) [XLRM10XLRF](#) [E3FBAUSW](#) [E3FSW](#) [E3MSW](#) [SR03](#) [TA4FLWX](#) [TA6FLWX](#)
[TRAPC8M1X](#) [TRASM6M1X](#) [TRS10TRS](#) [TRSF05XLRM](#) [TRSF10XLRM](#)