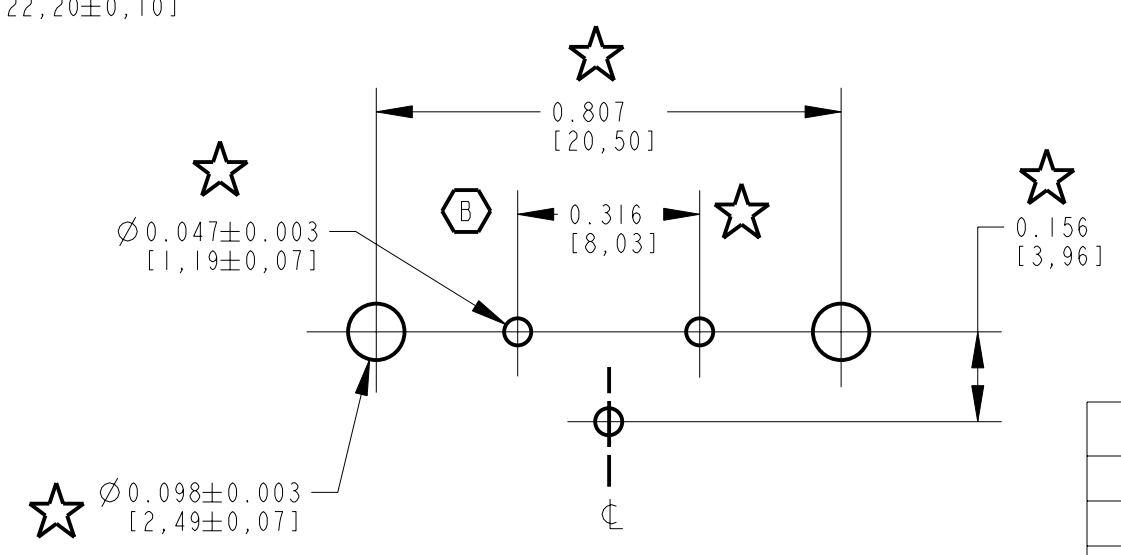


RECOMMENDED MOUNTING
PANEL LAYOUT



RECOMMENDED P.C. BOARD LAYOUT
(0.062 [1.57] THICK P.C. BOARD REF)

MATERIALS:

- HOUSING - ZINC ALLOY, NICKEL PLATED
- CONTACTS - COPPER ALLOY, SILVER PLATED
- INSULATOR - THERMOPLASTIC UL 94V-0 RATED
- GROUND SPRING - HEAT TREATED STEEL OR COPPER ALLOY, TIN PLATED
- RELEASE LEVER - C.R.S., NICKEL PLATED
- LATCH SPRING - HEAT TREATED STEEL, NICKEL PLATED
- FERRITE - NICKEL ZINC, K-100
- RATED CURRENT - 3 AMP.
- SERVICE VOLTAGE - 133 VAC

CUSTOMER DRAWING

☆ STAR SYMBOL DENOTES CRITICAL DIMENSION UNLESS OTHERWISE SPECIFIED 1. ALL DIMENSIONS IN INCHES - TWO PLACE DECIMALS ±0.01 - THREE PLACE DECIMALS ±0.005 - ANGLES ±1° - ALL DIA. CONCENTRIC WITHIN 0.005 T.I.R. 2. FEATURES ON THE SAME CENTERLINE MUST BE ALIGNED WITHIN ±0.002 3. REMOVE ALL BURRS DO NOT SCALE DRAWING					THIS DRAWING DESCRIBES A DESIGN CONSIDERED PROPRIETARY IN NATURE, DEVELOPED AND MANUFACTURED BY SWITCHCRAFT INC. AND IS RELEASED ON A CONFIDENTIAL BASIS FOR IDENTIFICATION PURPOSES ONLY.				
					SIZE	WIDTH	MULT	LBS/M	TEMPER
FINISH SPEC No.			MATERIAL SPEC No.						
FIRST USED ON			SCALE 3:1						
DATE DRAWN	BY	CHKD	APVD	Switchcraft SHEET OF F3FSTF					
21-Jan-02	KJB	TJK	KJB						
NAME			FEMALE 3 PIN QG ST/PC W/FERRITE		REV B				
REVISIONS									

X-ON Electronics

Largest Supplier of Electrical and Electronic Components

Click to view similar products for [XLR Connectors](#) category:

Click to view products by [Switchcraft](#) manufacturer:

Other Similar products are found below :

[707-0300](#) [A3F01](#) [A3M01](#) [QGP3F](#) [HA16PRM-3SG\(71\)](#) [AA3FL](#) [AAA4FWZ](#) [AAA4MWZ](#) [AC5FPZB](#) [AC6AFDZV](#) [D4FB](#) [DE4MW](#)
[E3MBAUSW](#) [99.265.0400.0](#) [A3F04](#) [AC3FG](#) [AC4-FCP](#) [AQG4F](#) [2504FP](#) [R6MZ](#) [3FD-V-I-B](#) [3MD-V-I-B](#) [TA01](#) [TA3MWX](#) [TA5MLWX](#)
[TRASM4M1X](#) [TRASM7M1X](#) [ML1](#) [TS05TS](#) [3FD-L-I-\(O\)](#) [D6FDB](#) [DB25FTRS](#) [DHNF-BAG-MAD](#) [DHNF-BAG-O](#) [DHNM-BAG](#)
[XLRF05TRS](#) [XLRM05XLRF](#) [XLRM05XLRFB](#) [XLRM10XLRF](#) [E3FBAUSW](#) [E3FSW](#) [E3MSW](#) [SR03](#) [TA4FLWX](#) [TA6FLWX](#)
[TRAPC8M1X](#) [TRASM6M1X](#) [TRS10TRS](#) [TRSF05XLRM](#) [TRSF10XLRM](#)