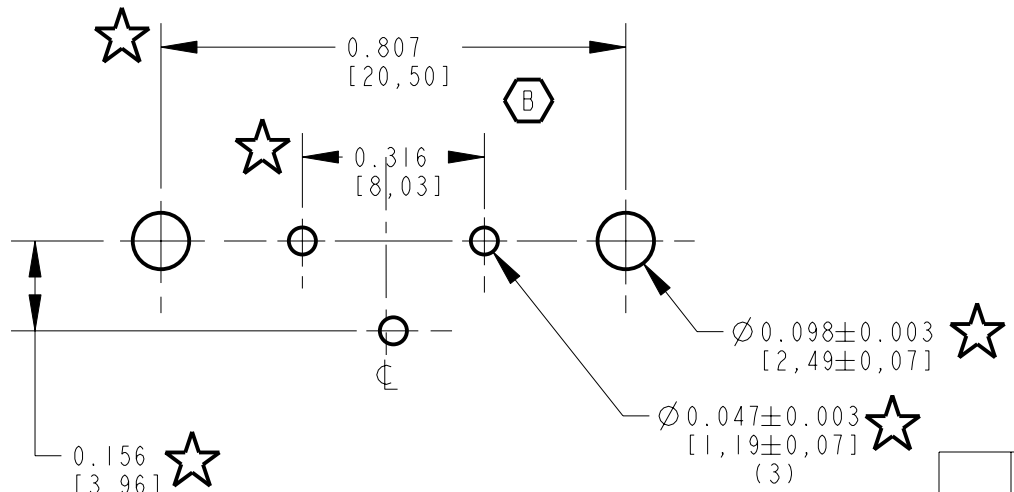
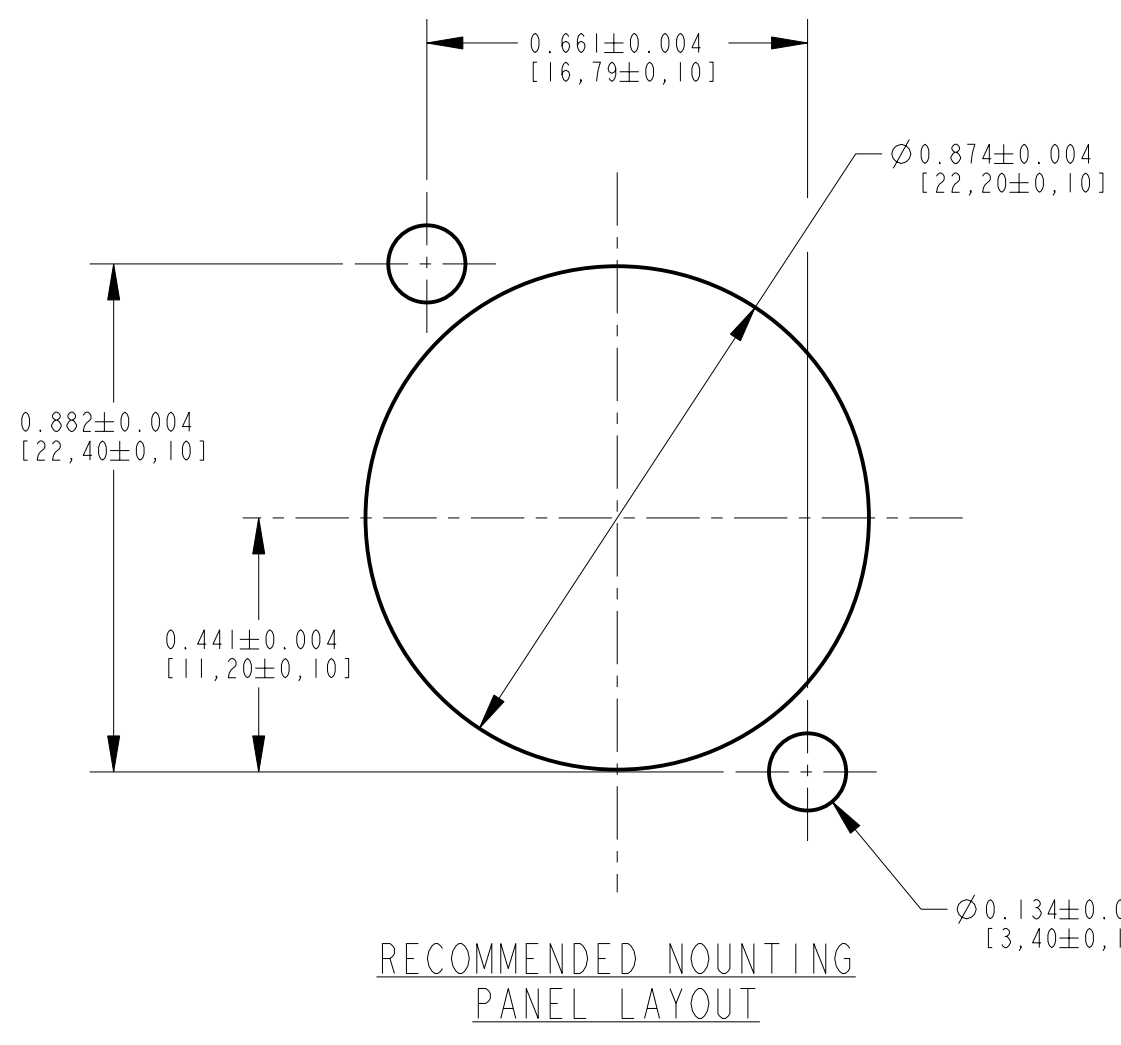


**MATERIALS:**

HOUSING - ZINC ALLOY, NICKEL PLATED  
 CONTACTS - COPPER ALLOY, SILVER OR GOLD PLATED  
 INSULATOR - THERMOPLASTIC, UL 94-V0 RATED.  
 GROUND SPRING: HEAT TREATED STEEL OR COPPER ALLOY, TIN PLATED  
 FERRITE: - NICKEL ZINC, K-100  
 RATED CURRENT - 3 AMP  
 SERVICE VOLTAGE - 133 VAC

PART NUMBER	CONTACT PLATING
F3MSTF	SILVER PLATED
F3MSTFAU	GOLD PLATED



RECOMMENDED P.C. BOARD LAYOUT  
 (0.062 [1.57] THICK P.C. BOARD REF)

CUSTOMER DRAWING

☆ STAR SYMBOL DENOTES CRITICAL DIMENSION UNLESS OTHERWISE SPECIFIED 1. ALL DIMENSIONS IN INCHES - TWO PLACE DECIMALS ±0.01 - THREE PLACE DECIMALS ±0.005 - ANGLES ±1° - ALL DIA. CONCENTRIC WITHIN 0.005 T.I.R. 2. FEATURES ON THE SAME CENTERLINE MUST BE ALIGNED WITHIN ±0.002 3. REMOVE ALL BURRS DO NOT SCALE DRAWING				THIS DRAWING DESCRIBES A DESIGN CONSIDERED PROPRIETARY IN NATURE, DEVELOPED AND MANUFACTURED BY SWITCHCRAFT INC. AND IS RELEASED ON A CONFIDENTIAL BASIS FOR IDENTIFICATION PURPOSES ONLY.					
SIZE		WIDTH		MULT		LBS/M		TEMPER	
FINISH SPEC No.						MATERIAL SPEC No.			
FIRST USED ON				SCALE 3:1					
DATE DRAWN	BY	CHKD	APVD						
21-Jan-02	KJB	TJK	KJB						
NAME			MALE 3 PIN OG ST/PC WITH FERRITE			PART No.		REV	
REVISIONS						F3MSTF		C	

## X-ON Electronics

Largest Supplier of Electrical and Electronic Components

*Click to view similar products for [XLR Connectors](#) category:*

*Click to view products by [Switchcraft](#) manufacturer:*

Other Similar products are found below :

[707-0300](#) [PPCB-H](#) [A3F01](#) [A3M01](#) [QGP3F](#) [HA16PRM-3SG\(71\)](#) [AA3FL](#) [AAA4FWZ](#) [AAA4MWZ](#) [AC5FPZB](#) [AC6AFDZV](#) [D4FB](#)  
[DE4MW](#) [DHNF-BAG](#) [E3MBAUSW](#) [NA3MP-UW](#) [NC3FBHR1-0](#) [NC3FD-H-0](#) [NC3FK-V](#) [NC3FXY-B](#) [NC3MK-V](#) [NC3MXY](#) [NC5FX-](#)  
[HD-B](#) [NC6MSX-BAG](#) [99.265.0400.0](#) [A3F04](#) [AC3FG](#) [AC4-FCP](#) [AQG4F](#) [2504FP](#) [R6MZ](#) [3FD-H-I](#) [3FD-H-I-\(0\)](#) [3FD-H-I-B](#) [3FD-V-I](#) [3FD-](#)  
[V-I-\(0\)](#) [3FD-V-I-B](#) [3MD-H-I-B](#) [3MD-V-I](#) [3MD-V-I-B](#) [TA01](#) [TA3MWX](#) [TA5MLWX](#) [MINICCF8](#) [TRASM4M1X](#) [TRASM7M1X](#) [ML1](#)  
[TS05TS](#) [BRT-L](#) [3FD-L-I-\(O\)](#)