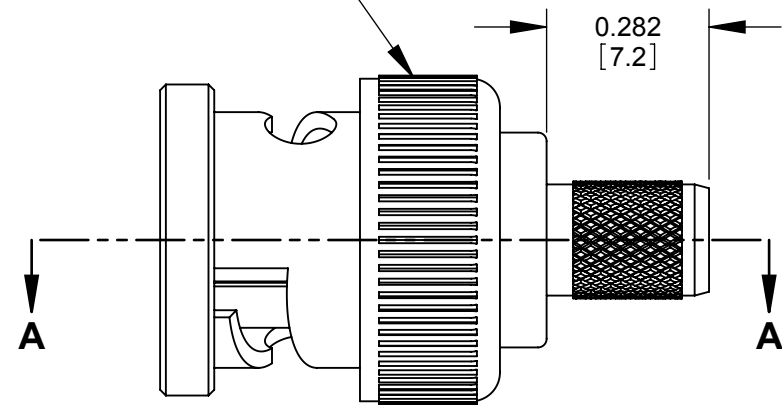


BNC CONNECTOR ASSEMBLY



0.282  
[7.2]

A

A

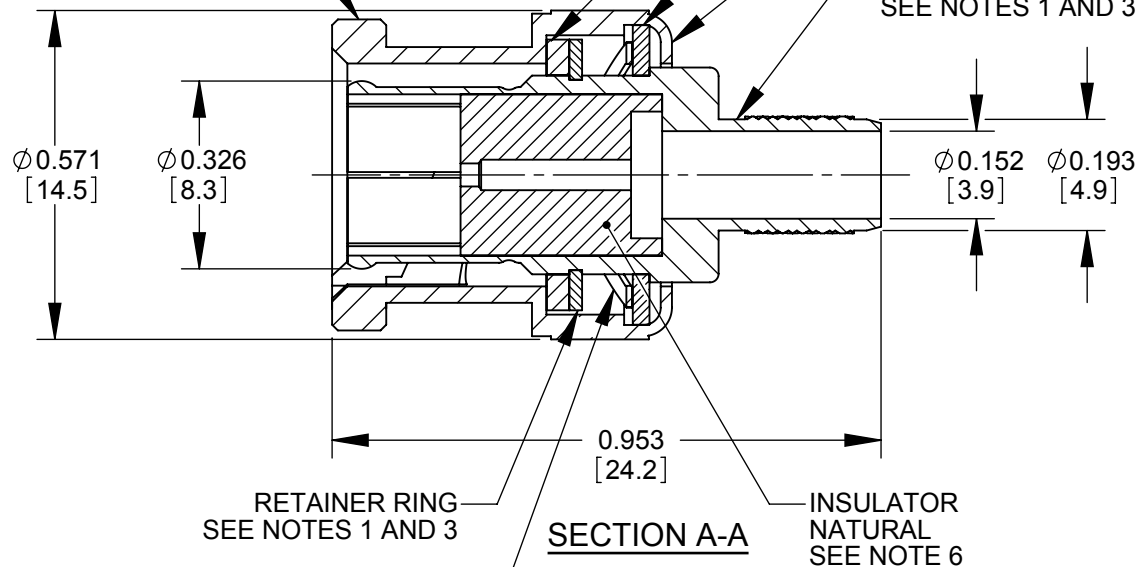
SHELL  
SEE NOTES 1 AND 3

GASKET  
RUBBER, RED

WASHER  
SEE NOTES 2 AND 3

FORMING

BODY  
SEE NOTES 1 AND 3



Ø0.571  
[14.5]

Ø0.326  
[8.3]

Ø0.152  
[3.9]

Ø0.193  
[4.9]

0.953  
[24.2]

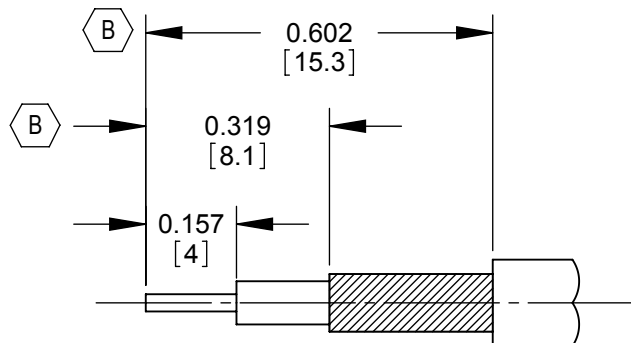
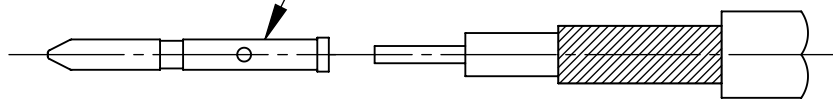
RETAINER RING  
SEE NOTES 1 AND 3

SECTION A-A

INSULATOR  
NATURAL  
SEE NOTE 6

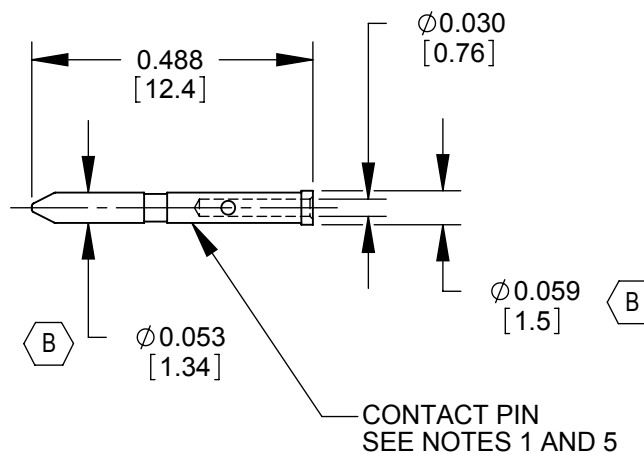
SPRING  
SK5  
SEE NOTE 4

CRIMP ON THIS AREA



RECOMMENDED  
CABLE STRIPPING DIMENSIONS

SWITCHCRAFT STRIPPING TOOL #PTS1



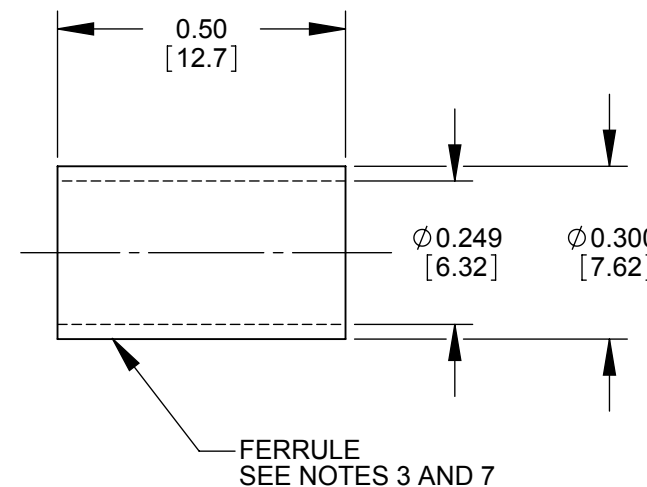
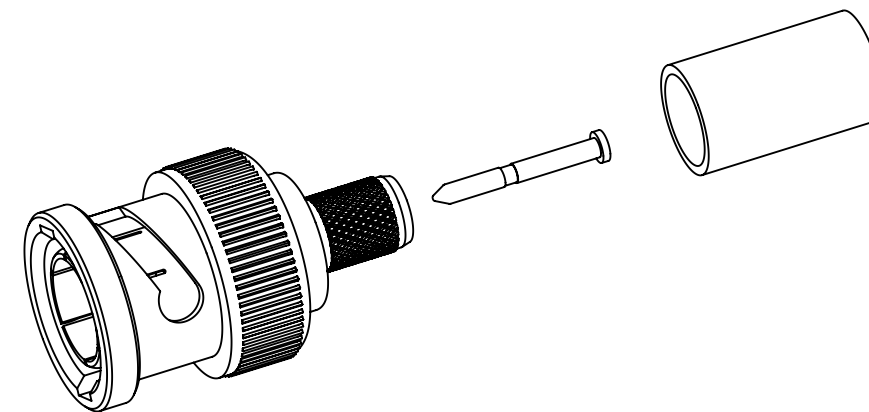
0.488  
[12.4]

Ø0.030  
[0.76]

Ø0.053  
[1.34]

Ø0.059  
[1.5]

CONTACT PIN  
SEE NOTES 1 AND 5



0.50  
[12.7]

Ø0.249  
[6.32]

Ø0.300  
[7.62]

FERRULE  
SEE NOTES 3 AND 7

NOTES:

FINISH (PLATING THICKNESS IN MICRO-INCHES)

- BRASS PER 00-8-626
- BRASS PER 00-8-613
- NICKEL PLATING 100 MIN THICK OVER COPPER STRIKE.
- NICKEL PLATING 200 MIN THICK OVER COPPER STRIKE.
- GOLD PLATING 3 MIN THICK OVER NICKEL PLATING 100 MIN THICK OVER COPPER STRIKE.
- TEFLON MIL-P-19468
- JIS H 3250, C 2700
- CRIMPED FERRULE HEX CRIMP SIZE 0.255 B
- CRIMPED CONTACT PIN SQUARE SQUARE CRIMP SIZE 0.042 B
- ALL DIMENSIONS ARE FOR REFERENCE ONLY.
- THIS PRODUCT IS RoHS COMPLIANT.

CUSTOMER DRAWING

					★ STAR SYMBOL DENOTES CRITICAL DIMENSION					THIS DRAWING DESCRIBES A DESIGN CONSIDERED PROPRIETARY IN NATURE, DEVELOPED AND MANUFACTURED BY SWITCHCRAFT INC. AND IS RELEASED ON A CONFIDENTIAL BASIS FOR IDENTIFICATION PURPOSES ONLY.				
					UNLESS OTHERWISE SPECIFIED					SIZE	WIDTH	MULT	LBS/M	TEMPER
					1. ALL DIMENSIONS IN INCHES - TWO PLACE DECIMALS ±0.01 - THREE PLACE DECIMALS ±0.005 - ANGLES ±1° - ALL DIA. CONCENTRIC WITHIN 0.005 T.I.R.					FINISH		MATERIAL		
					2. FEATURES ON THE SAME CENTERLINE MUST BE ALIGNED WITHIN ±0.002					SPEC No.		SPEC No.		
					3. REMOVE ALL BURRS					FIRST USED ON		SCALE 3:1		
B	26364	10-31-06	RS	TJK	DO NOT SCALE DRAWING					DATE DRAWN	BY	CHKD	APVD	Switchcraft®
A	26142	10-31-06	RF	TJK						10-31-06	RF	RF	TJK	
REV	ECO NUMBER	DATE	BY	APVD						NAME		PART No.		REV
REVISIONS										75 OHM BNC CONNECTOR 8241 CABLE, RoHS		HP75BNC1X		B

## X-ON Electronics

Largest Supplier of Electrical and Electronic Components

*Click to view similar products for [RF Connectors / Coaxial Connectors](#) category:*

*Click to view products by [Switchcraft](#) manufacturer:*

Other Similar products are found below :

[8915-1511-000](#) [89674-0827](#) [6001-7071-019](#) [6002-7051-003](#) [6002-7551-202](#) [6059674-1](#) [619550-1](#) [630059-000](#) [M39030/3-01N](#) [6500-7071-046](#) [6769](#) [CX050L2AQ](#) [7002-1541-010](#) [7002-1542-011](#) [7004-1512-000](#) [7009-1511-004](#) [7010-1511-000](#) [7029-1511-060](#) [7101-1541-010](#) [7101-1571-002](#) [7145-1521-002](#) [7203-1571-003](#) [7209-1511-011](#) [7210-1511-015](#) [7210-1511-019](#) [73137-5015](#) [73216-2241](#) [73404-2300](#) [7405-1521-005](#) [7405-1521-802](#) [8527](#) [8547](#) [FS11V](#) [877931](#) [8808-1511-001](#) [9049-9513-000](#) [9074-9513-000](#) [9101-9573-002](#) [910A205F](#) [9130-9573-002](#) [PL11SC-026](#) [PL375-33](#) [PL40-5](#) [PL74C-221](#) [PL75MC-217](#) [PL803-7](#) [1200690078](#) [1-201144-1](#) [R107003010W](#) [R110A172100](#)