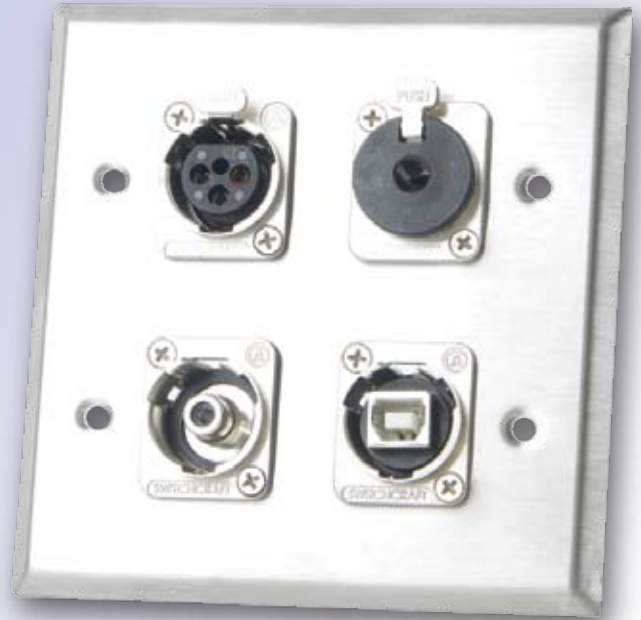


Switchcraft®

E & EH Series Wall Plates



WP1B2P



WP2S4P

Features

- Compatible with our full line of E & EH Series connectors
- Available as single and double gang with 0, 1, 2, and 4 connector holes
- Available with standard (non-threaded) or tapped 4-40 connector mounting holes
- RoHS Compliant

E & EH Series Wall Plates

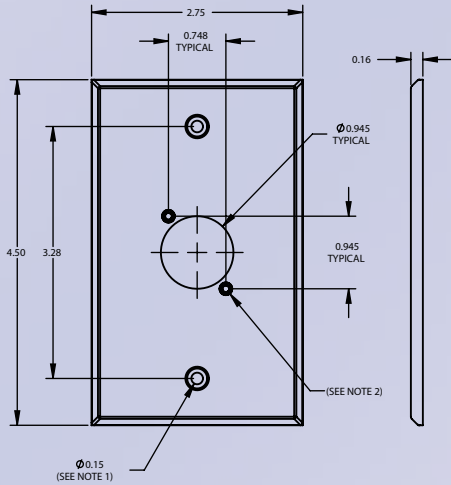
E & EH Series Wall Plates from Switchcraft® are the perfect solution for anyone requiring custom connector configurations on standard size wall plates. Options include single and double gang with 0, 1, 2, and 4 connector holes. Plates are available in brushed stainless steel or anodized black aluminum and with standard or tapped 4-40 connector mounting holes. Tapped 4-40 connector mounting holes allow connectors to be screwed directly into the plate without the use of a nut (front mount only).

Any combination of Switchcraft® E and EH Series panel mount connectors are compatible, providing the most customizable line of audio, video, and data connectivity available for standard size wall plates.

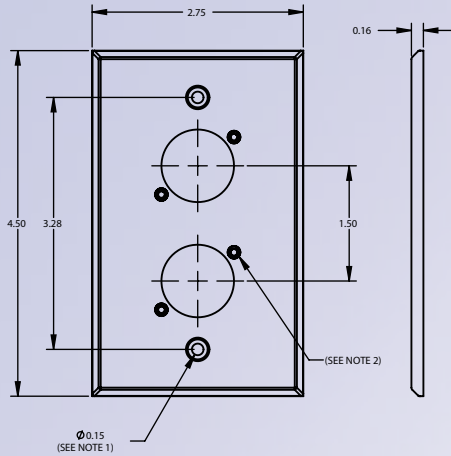


Switchcraft®

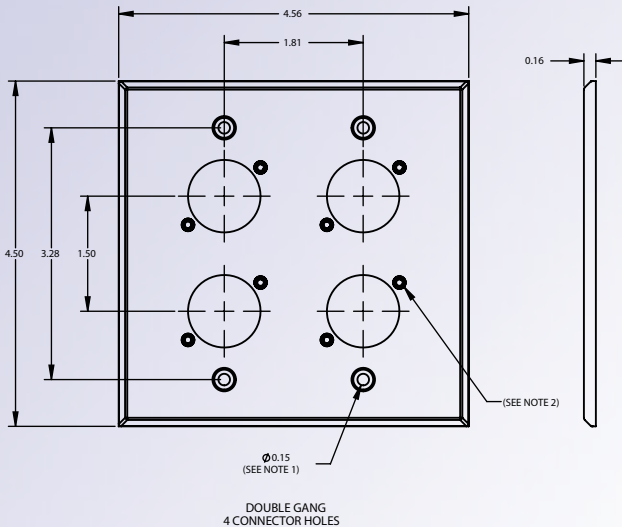
E & EH Series Wall Plates



SINGLE GANG
1 CONNECTOR HOLE



SINGLE GANG
2 CONNECTOR HOLES



DOUBLE GANG
4 CONNECTOR HOLES



WP1B2

PART NUMBER	GANG SIZE	FINISH	EH CONNECTOR HOLES	CONNECTOR MOUNTING HOLE
WP1S	1	STAINLESS STEEL	0	NONE
WP1S1	1	STAINLESS STEEL	1	Ø0.138
WP1S1P	1	STAINLESS STEEL	1	#4-40 THREAD
WP1B1	1	BLACK ALUMINUM	1	Ø0.138
WP1B1P	1	BLACK ALUMINUM	1	#4-40 THREAD
WP1S2	1	STAINLESS STEEL	2	Ø0.138
WP1S2P	1	STAINLESS STEEL	2	#4-40 THREAD
WP1B2	1	BLACK ALUMINUM	2	Ø0.138
WP1B2P	1	BLACK ALUMINUM	2	#4-40 THREAD
WP2S4	2	STAINLESS STEEL	4	Ø0.138
WP2S4P	2	STAINLESS STEEL	4	#4-40 THREAD
WP2B4	2	BLACK ALUMINUM	4	Ø0.138
WP2B4P	2	BLACK ALUMINUM	4	#4-40 THREAD

NOTES:

1. WALL PLATES COME WITH #6-32 MOUNTING SCREWS.
2. WALL PLATES ARE AVAILABLE WITH STANDARD (NON-THREADED) OR TAPPED #4-40 PEM CONNECTOR MOUNTING HOLES.
3. THIS PRODUCT IS RoHS COMPLIANT.



X-ON Electronics

Largest Supplier of Electrical and Electronic Components

Click to view similar products for [Wire Ducting & Raceways](#) category:

Click to view products by [Switchcraft](#) manufacturer:

Other Similar products are found below :

[800A-LB](#) [801I-LSP](#) [802A-ECSP](#) [802I-ICSP](#) [923223-000](#) [PRAF6WH-X](#) [A0405538](#) [1301150342](#) [1301160034](#) [1301170070](#) [1301180011](#)
[1301230083](#) [1301230153](#) [1301240273](#) [1301250006](#) [1302261238](#) [1302261321](#) [1302262552](#) [1302263103](#) [1302263178](#) [1302263259](#)
[1302263816](#) [1302263860](#) [1302264375](#) [1302264390](#) [1301150343](#) [1301160030](#) [1301170050](#) [1301170051](#) [1301170061](#) [1301180013](#)
[1301230086](#) [1301230130](#) [1301240054](#) [1302260055](#) [1302260376](#) [1302261343](#) [1302261344](#) [1302262674](#) [1302263095](#) [1302263166](#)
[1302263209](#) [1302263513](#) [1302263851](#) [1302263870](#) [1302264137](#) [1302264218](#) [DD1/J](#) [AX102007](#) [AX102411](#)