

Switchcraft®

E & EH Series Wall Plates



WP1B2P



WP2S4P

Features

- Compatible with our full line of E & EH Series connectors
- Available as single and double gang with 0, 1, 2, and 4 connector holes
- Available with standard (non-threaded) or tapped 4-40 connector mounting holes
- RoHS Compliant

E & EH Series Wall Plates

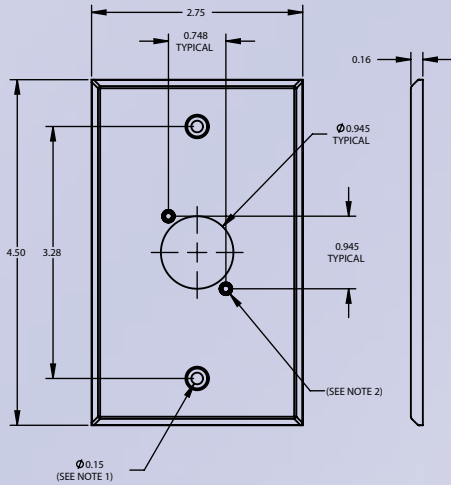
E & EH Series Wall Plates from Switchcraft® are the perfect solution for anyone requiring custom connector configurations on standard size wall plates. Options include single and double gang with 0, 1, 2, and 4 connector holes. Plates are available in brushed stainless steel or anodized black aluminum and with standard or tapped 4-40 connector mounting holes. Tapped 4-40 connector mounting holes allow connectors to be screwed directly into the plate without the use of a nut (front mount only).

Any combination of Switchcraft® E and EH Series panel mount connectors are compatible, providing the most customizable line of audio, video, and data connectivity available for standard size wall plates.

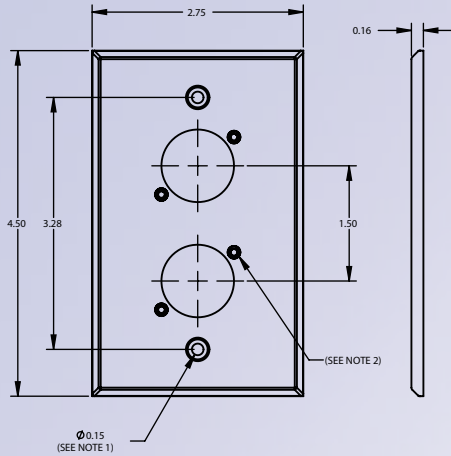


Switchcraft®

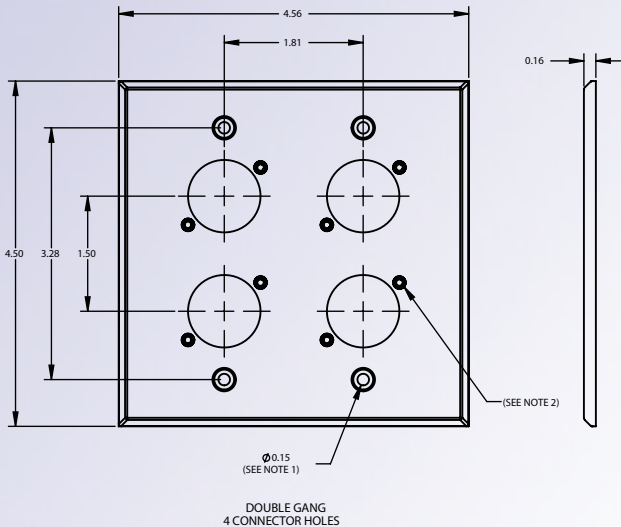
E & EH Series Wall Plates



SINGLE GANG
1 CONNECTOR HOLE



SINGLE GANG
2 CONNECTOR HOLES



DOUBLE GANG
4 CONNECTOR HOLES



WP1B2

PART NUMBER	GANG SIZE	FINISH	EH CONNECTOR HOLES	CONNECTOR MOUNTING HOLE
WP1S	1	STAINLESS STEEL	0	NONE
WP1S1	1	STAINLESS STEEL	1	Ø0.138
WP1S1P	1	STAINLESS STEEL	1	#4-40 THREAD
WP1B1	1	BLACK ALUMINUM	1	Ø0.138
WP1B1P	1	BLACK ALUMINUM	1	#4-40 THREAD
WP1S2	1	STAINLESS STEEL	2	Ø0.138
WP1S2P	1	STAINLESS STEEL	2	#4-40 THREAD
WP1B2	1	BLACK ALUMINUM	2	Ø0.138
WP1B2P	1	BLACK ALUMINUM	2	#4-40 THREAD
WP2S4	2	STAINLESS STEEL	4	Ø0.138
WP2S4P	2	STAINLESS STEEL	4	#4-40 THREAD
WP2B4	2	BLACK ALUMINUM	4	Ø0.138
WP2B4P	2	BLACK ALUMINUM	4	#4-40 THREAD

NOTES:

1. WALL PLATES COME WITH #6-32 MOUNTING SCREWS.
2. WALL PLATES ARE AVAILABLE WITH STANDARD (NON-THREADED) OR TAPPED #4-40 PEM CONNECTOR MOUNTING HOLES.
3. THIS PRODUCT IS RoHS COMPLIANT.



X-ON Electronics

Largest Supplier of Electrical and Electronic Components

Click to view similar products for [XLR Connectors](#) category:

Click to view products by [Switchcraft](#) manufacturer:

Other Similar products are found below :

[707-0300](#) [A3F01](#) [QGP3F](#) [HA16PRM-3SG\(71\)](#) [AA3FL](#) [AAA4FWZ](#) [AAA4MWZ](#) [AC5FPZB](#) [AC6AFDZV](#) [D4FB](#) [DE4MW](#) [E3MBAUSW](#)
[99.265.0400.0](#) [A3F04](#) [AC3FG](#) [AC4-FCP](#) [AQG4F](#) [2504FP](#) [R6MZ](#) [3FD-V-I-B](#) [3MD-V-I-B](#) [TA01](#) [TA3MWX](#) [TA5MLWX](#) [TRASM4M1X](#)
[TRASM7M1X](#) [ML1](#) [TS05TS](#) [3FD-L-I-\(O\)](#) [D6FDB](#) [DB25FTRS](#) [DHNF-BAG-MAD](#) [DHNF-BAG-O](#) [DHNM-BAG](#) [XLR05TRS](#)
[XLRM05XLRFB](#) [XLRM05XLRFB](#) [XLRM10XLRFB](#) [E3FBAUSW](#) [E3FSW](#) [E3MSW](#) [SR03](#) [TA4FLWX](#) [TA6FLWX](#) [TRAPC8M1X](#)
[TRASM6M1X](#) [TRS10TRS](#) [TRSF05XLRM](#) [TRSF10XLRM](#) [TS10TS](#)