

1. MATERIALS:

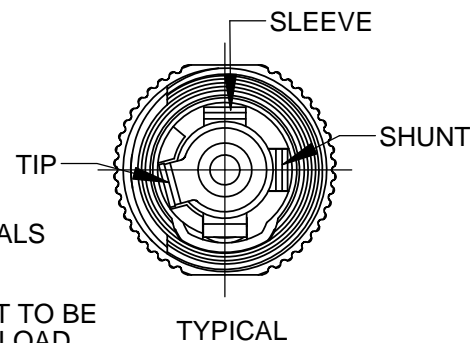
- HANDLE BLACK THERMOPLASTIC
- CABLE CLAMP THERMOPLASTIC
- FLEX RELIEF THERMOPLASTIC ELASTOMER
- BUSHING BLACK THERMOPLASTIC
- POWER JACK SEE POWER JACK FOR MATERIALS AND SPECIFICATIONS

2. THESE PARTS ARE CURRENT CARRY ONLY NOT TO BE USED FOR CONNECT OR DISCONNECT UNDER LOAD.

3. SHIPPED UNASSEMBLED

4. CABLE RANGE FOR FLEX: 0.220 TO 0.250 DIAMETER

5. THESE PARTS ARE RoHS COMPLIANT



REV	ECO NUMBER	DATE	BY	APVD
B	ECO 27932	8-28-17	SRC	TJK
A	ECO 27926	8-17-17	SRC	TJK
REVISIONS				

UNLESS OTHERWISE SPECIFIED				
1. ALL DIMENSIONS IN INCHES [mm]				
- TWO PLACE DECIMALS ±0.02 [0.5]				
- THREE PLACE DECIMALS ±0.005 [0.13]				
DO NOT SCALE DRAWING				

THIS DRAWING DESCRIBES A DESIGN CONSIDERED PROPRIETARY IN NATURE, DEVELOPED AND MANUFACTURED BY SWITCHCRAFT INC. AND IS RELEASED ON A CONFIDENTIAL BASIS FOR IDENTIFICATION PURPOSES ONLY.										
SIZE *	WIDTH *	MULT *	LBS/M *	TEMPER *						
FINISH *					MATERIAL *					
SPEC No. *					SPEC No. *					
FIRST USED ON *				SCALE 3:4						
DATE DRAWN	BY	CHKD	APVD							
12-28-16	SRC	SRC	TJK							
				8-10-17	8-17-17		SHEET 1 OF 1			
NAME				PART No. L712AC-L722AC				REV		
CABLE POWER JACKS				L712ACFL-L722ACFL				B		

CUSTOMER DRAWING

## X-ON Electronics

Largest Supplier of Electrical and Electronic Components

*Click to view similar products for [DC Power Connectors](#) category:*

*Click to view products by [Switchcraft](#) manufacturer:*

Other Similar products are found below :

[RAPC3FG](#) [B04P-VL-VN-1.8](#) [1600206-1](#) [163-0302](#) [163-0310-EX](#) [163-4024](#) [163-4117-EX](#) [163-5005-E](#) [163-7421](#) [171-0721-EX](#) [171-3118-EX](#) [173-23507-ST-EX](#) [KLDVX-SMT-02-ATR](#) [KLDX-SMT-0202-BP](#) [KLDX-SMT-0202-BPTR](#) [163-0179-EX](#) [163-0307-E](#) [163-4119-E](#) [171-0722-E](#) [171-3218-EX](#) [171-7391](#) [173-3413-ST-EX](#) [RAPCBRK](#) [K596](#) [KLD-0201-BC](#) [KLDVX-SMT-02-BTR](#) [KPPX-D](#) [TPCF-140-01-L-Q-4-RA](#) [RAPC3MHG](#) [RASM752TRX](#) [163-4800-E](#) [4C6831AX](#) [TS3PNJ](#) [DC-025LM-5A-2.5](#) [CL14218R](#) [AS250F RED](#) [DC-105-4A-1.6](#) [09441 AS120-F](#) [09442 AS120-M](#) [CP30240](#) [TAMIYA-M](#) [TAMIYA-MT1](#) [TAMIYA-MT2](#) [4840.1200](#) [4840.2202](#) [C5080HI-04P-18 + C5080HI-C](#) [JC-138](#) [JPO-25 \(FC6814\)](#) [JYO-26 \(FC6811\)](#) [JYO-29 \(FC68102\)](#)