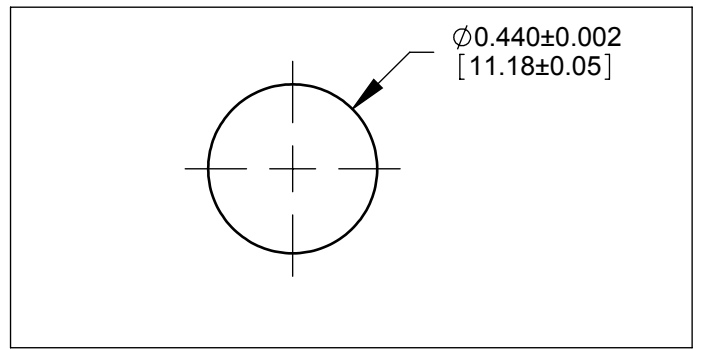
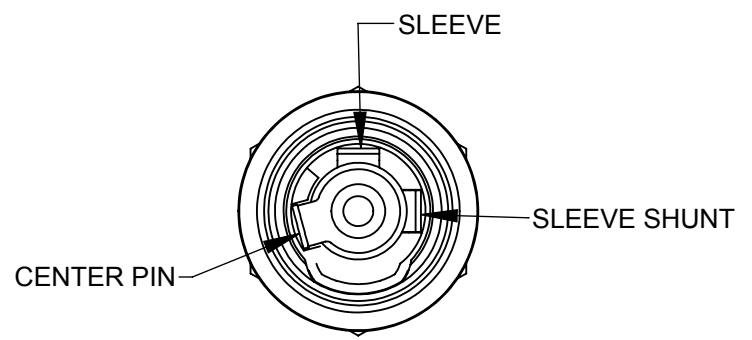
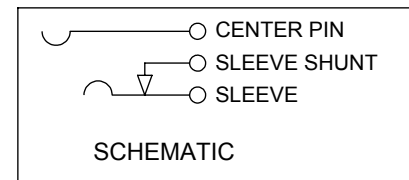


PART NUMBER	CENTER PIN / JACK SIZE	MATING POWER PLUG
L712AS	0.10 (2.5 mm)	761KS12, 761KS15, 761KS17
L722AS	0.08 (2.0 mm)	S761KS12, S761KS15, S761KS17 767KS12, 767KS15, 767KS17



RECOMMENDED PANEL MTG HOLE

NOTES:

1. DIMENSIONS SHOWN FOR REFERENCE ONLY.
2. HEX NUT, FLAT WASHER, AND PANEL O-RING SUPPLIED UNASSEMBLED
3. MATERIAL:  
HOUSINGS, HEX NUT - COPPER ALLOY, NICKEL PLATED  
INSULATOR HOUSING - THERMOPLASTIC  
O-RINGS - NEOPRENE RUBBER, LUBRICATED WITH SYNTHETIC GREASE  
TERMINAL INSULATORS - PHENOLIC  
FLAT WASHER - STEEL, NICKEL PLATED  
PIN, SPRING, TERMINALS - COPPER ALLOY, SILVER PLATED
4. THIS PRODUCT IS RoHS COMPLIANT

**CUSTOMER DRAWING**

REV	ECO NUMBER	DATE	BY	APVD
B	27029	10/01/12	AB	TJK
A	26591	8/6/10	RS	TJK

UNLESS OTHERWISE SPECIFIED

1. ALL DIMENSIONS IN INCHES  
- TWO PLACE DECIMALS ±0.02  
- THREE PLACE DECIMALS ±0.005

DO NOT SCALE DRAWING

THIS DRAWING DESCRIBES A DESIGN CONSIDERED PROPRIETARY IN NATURE, DEVELOPED AND MANUFACTURED BY SWITCHCRAFT INC. AND IS RELEASED ON A CONFIDENTIAL BASIS FOR IDENTIFICATION PURPOSES ONLY.									
SIZE	WIDTH	MULT	LBS/M	TEMPER					
FINISH					MATERIAL				
SPEC No.					SPEC No.				
FIRST USED ON			SCALE						
			2:1						
DATE DRAWN	BY	CHKD	APVD						
7/23/09	PNK	RS	TJK						
		8/6/10	8/6/10						
NAME				PART No.		REV			
SEALED POWER JACKS SOLDER LUG, RoHS				L712AS, L722AS		B			

## X-ON Electronics

Largest Supplier of Electrical and Electronic Components

*Click to view similar products for [DC Power Connectors](#) category:*

*Click to view products by [Switchcraft](#) manufacturer:*

Other Similar products are found below :

[RAPC3FG](#) [B04P-VL-VN-1.8](#) [1600206-1](#) [163-0302](#) [163-0310-EX](#) [163-1100-EX](#) [163-4012-EX](#) [163-4024](#) [163-4117-EX](#) [163-5005-E](#) [163-7421](#) [163-MJ22-EX](#) [171-0721-EX](#) [171-3118-EX](#) [173-23507-ST-EX](#) [KLDVX-SMT-02-ATR](#) [KLDX-SMT-0202-BP](#) [KLDX-SMT-0202-BPTR](#) [163-0179-EX](#) [163-0307-E](#) [163-1000-EX](#) [163-4015-EX](#) [163-4119-E](#) [171-0722-E](#) [171-3218-EX](#) [171-7391](#) [173-3413-ST-EX](#) [RAPCBRK](#) [K596](#) [KLD-0201-BC](#) [KLDVX-SMT-02-BTR](#) [KPPX-D](#) [RAPC3MHG](#) [RASM752TRX](#) [163-4800-E](#) [4C6831AX](#) [ACJS-HHDR-AU](#) [TS3PNJ](#) [DC-025LM-5A-2.5](#) [CL14218R](#) [AS250F RED](#) [DC-105-4A-1.6](#) [163-0210A-E](#) [09441](#) [AS120-F](#) [09442](#) [AS120-M](#) [CP30240](#) [TAMIYA-M](#) [TAMIYA-MT1](#) [TAMIYA-MT2](#) [4840.1200](#)