

TERMINAL FINISH OPTIONS:

11 R<sub>0</sub>HS COMPLIANT

Blank - (STD) ELECTRO-TIN PLATED

M - GOLD PLATED SPRINGS WITH GOLD CONTACTS ON RING SPRINGS AND SHUNT SPRINGS (WHEN SHUNTS ARE USED)

TERMINAL OPTIONS:

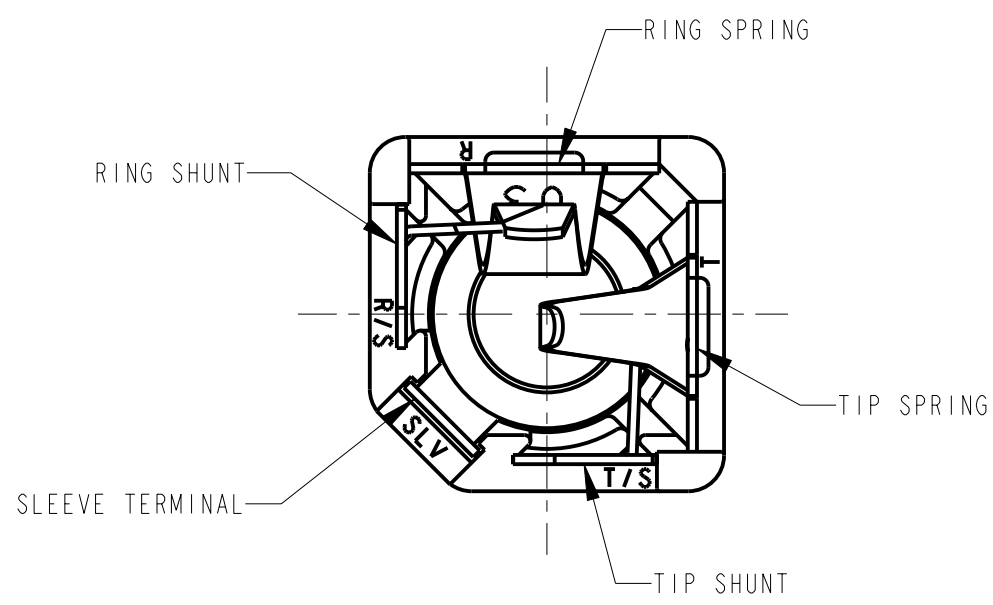
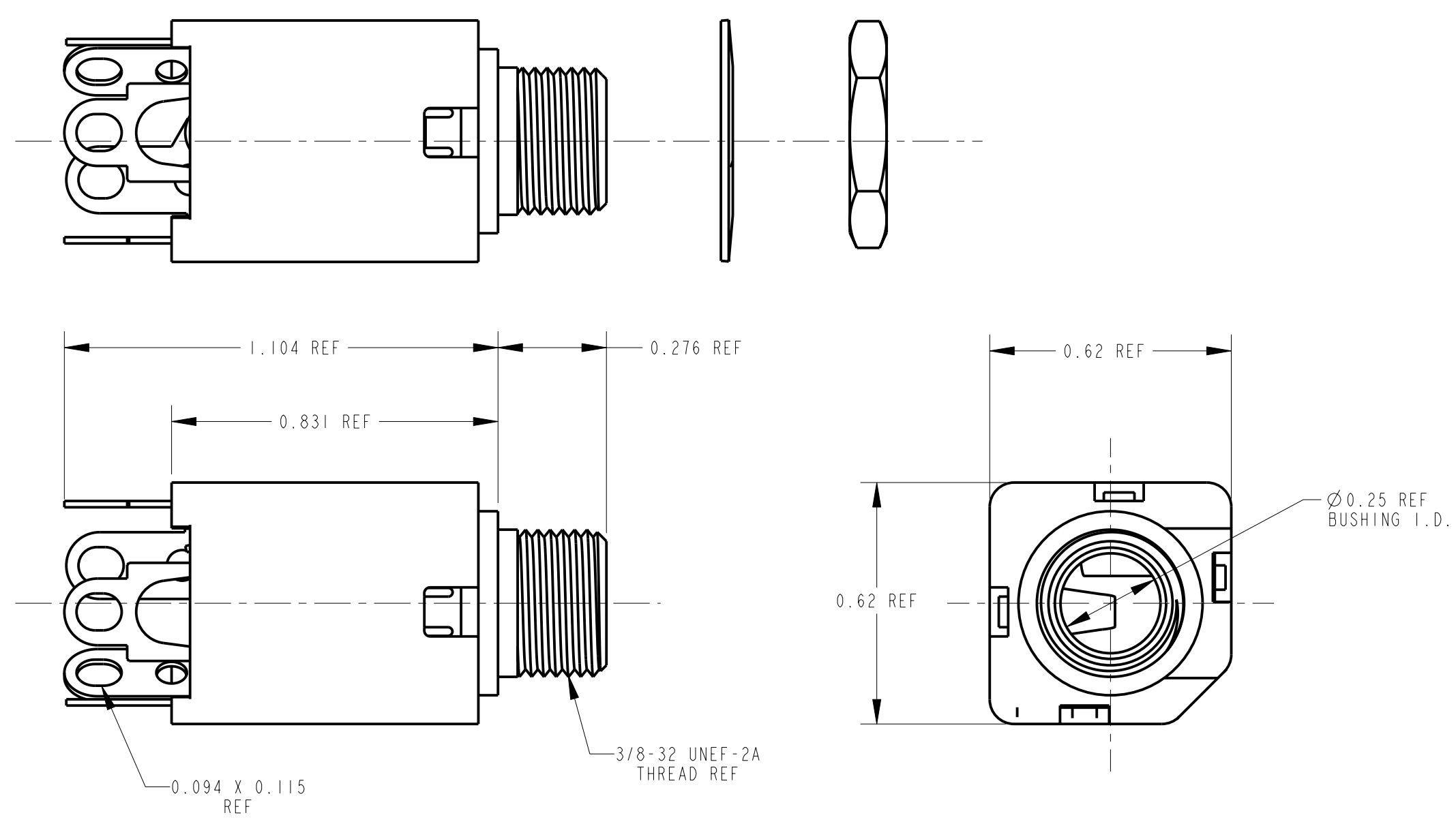
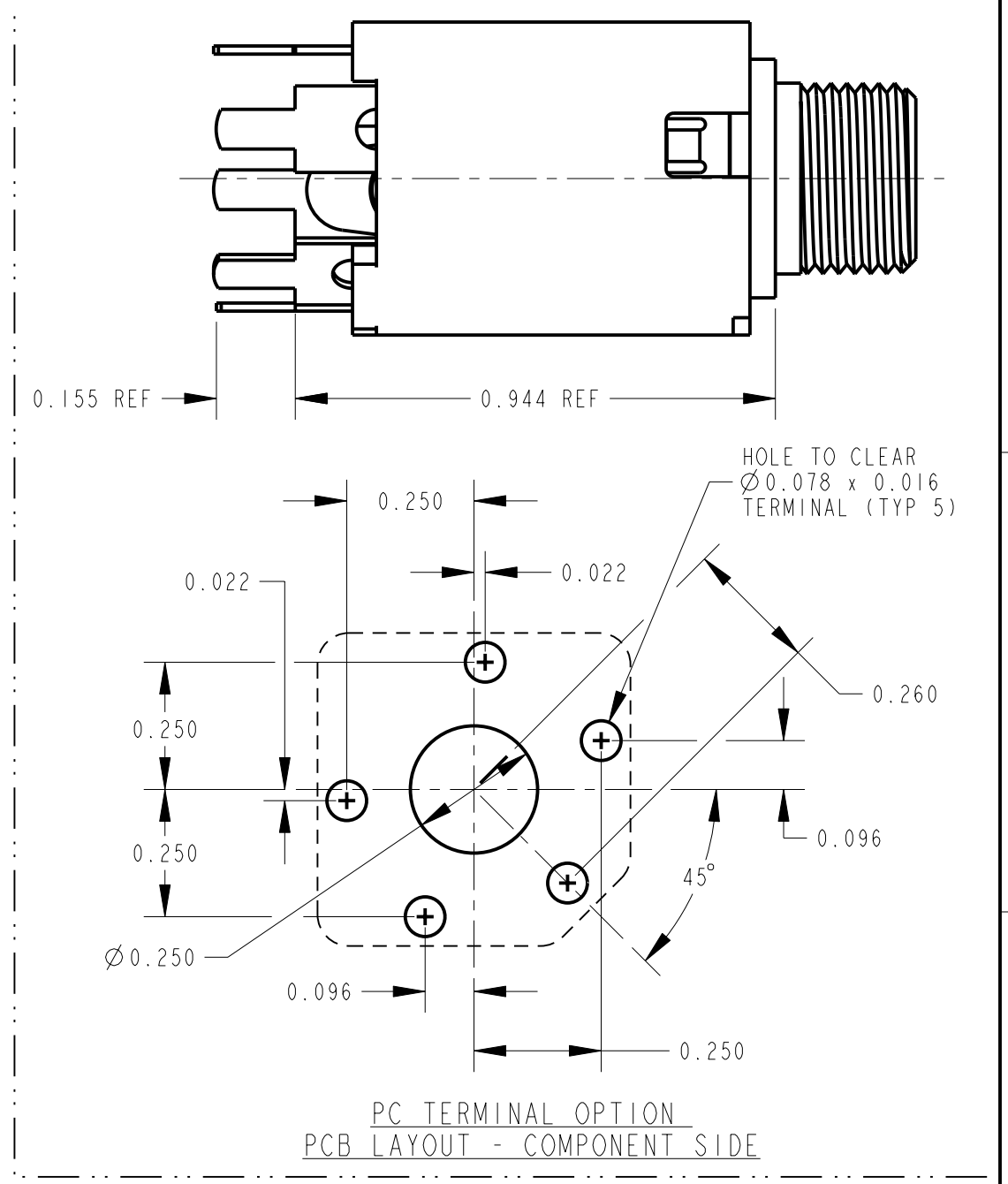
Blank - SOLDER TERMINAL

PC - 0.078 WIDE PC TAILS

PCS - SNAP-IN PC TAILS

CIRCUITRY OPTIONS:

1 - TIP OPEN CIRCUIT	TIP SLEEVE
2A - TIP CLOSED CIRCUIT	TIP SLEEVE
2B - TIP & RING OPEN CIRCUIT	RING TIP SLEEVE
3 - TIP OPEN CIRCUIT AND ISOLATE "MAKE" CIRCUIT	TIP SLEEVE
3B - TIP CLOSED CIRCUIT AND RING OPEN CIRCUIT (I-C TRANSFER)	RING TIP SLEEVE
3D - 1 TIP CLOSED CIRCUIT AND 1 TIP OPEN CIRCUIT	TIP SLEEVE
3E - TIP OPEN CIRCUIT AND ISOLATED "BREAK" CIRCUIT	TIP SLEEVE
3F - TIP OPEN CIRCUIT AND RING CLOSED CIRCUIT	RING TIP SLEEVE
4B - TIP & RING CLOSED CIRCUIT	RING TIP SLEEVE



- NOTES:
- HARDWARE SHIPPED UNASSEMBLED.
  - MAXIMUM PANEL THICKNESS: 0.156
  - MATERIALS:  
HOUSING - POLYESTER GLASS FILLED, BLACK  
BUSHING - BRASS, NICKEL PLATED  
SLEEVE TERMINAL - BRASS, LEAD FREE ELECTRO-TIN PLATED  
SPRINGS - NICKEL SILVER, LEAD FREE ELECTRO-TIN PLATED  
LIFTERS - NYLON (113 & 113E CIRCUIT OPTIONS)  
WASHER - STEEL, NICKEL PLATED  
NUT - BRASS, NICKEL PLATED
  - THIS PRODUCT IS R<sub>0</sub>HS COMPLIANT.

CUSTOMER DRAWING

★ STAR SYMBOL DENOTES CRITICAL DIMENSION

UNLESS OTHERWISE SPECIFIED

- ALL DIMENSIONS IN INCHES  
- TWO PLACE DECIMALS ±0.01  
- THREE PLACE DECIMALS ±0.005  
- ANGLES ±1°  
- ALL DIA. CONCENTRIC WITHIN 0.005 T.I.R.
- FEATURES ON THE SAME CENTERLINE MUST BE ALIGNED WITHIN ±0.002
- REMOVE ALL BURRS

DO NOT SCALE DRAWING

REV	ECO NUMBER	DATE	BY	APVD
A	26032	3-25-11	TJK	MW

REVISIONS

SIZE	WIDTH	MULT	LBS/M	TEMPER
FINISH SPEC No.				
FIRST USED ON		SCALE 3:1		
DATE DRAWN	BY	CHKD	APVD	
4-18-06	TJK	4-18-06	MW	4-18-06
NAME #3/8-32 THREADED BUSHING Ø0.25 I.D., HI-D JACK ASSY, R <sub>0</sub> HS				PART No. 110X SERIES M110X SERIES
				REV A

Switchcraft®

SHEET | OF |

## X-ON Electronics

Largest Supplier of Electrical and Electronic Components

*Click to view similar products for [Phone Connectors](#) category:*

*Click to view products by [SWITCHCRAFT](#) manufacturer:*

Other Similar products are found below :

[M444B](#) [6J1041A](#) [R4F](#) [E12BPKG](#) [ECP4PKG](#) [161-3502L-E](#) [MT333X](#) [171-0350-EX](#) [171-101A-EX](#) [171-3325-EX](#) [176S](#) [NC3MG-V](#)  
[NS112BX](#) [NYS228G](#) [P10834](#) [P2380](#) [P2381X](#) [P2411X](#) [P2412](#) [P2724](#) [JM2PB-AU BULK](#) [9144](#) [S2674](#) [280L](#) [163-158N-2-E](#) [171-3308-EX](#)  
[171-3500-E](#) [2501FT](#) [CMT335](#) [M10662](#) [330Q](#) [RJ5VI-S](#) [40116](#) [TM1R-AU](#) [TM2PBMJ-AU](#) [TM2PJ-AU](#) [TM2PJ-AU BULK](#) [4803.1351](#)  
[49201](#) [49205](#) [TS3PBJ-AU](#) [TS3PBMJ-AU](#) [TT32BX](#) [54B](#) [40112](#) [40205](#) [415](#) [XMT332B](#) [52170017-331](#) [570](#)