

11 X

TERMINAL FINISH OPTIONS:

BLANK - (STD) ELECTRO-TIN PLATED

M - GOLD PLATED SPRINGS WITH GOLD CONTACTS ON RING SPRINGS AND SHUNT SPRINGS (WHEN SHUNTS ARE USED)

RoHS COMPLIANT

TERMINAL OPTIONS:

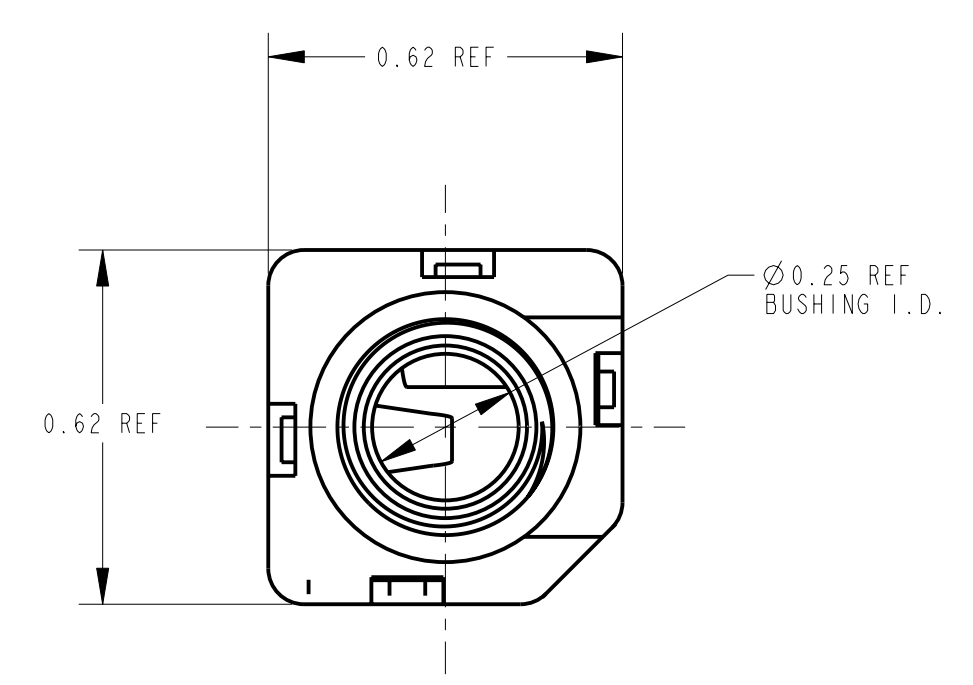
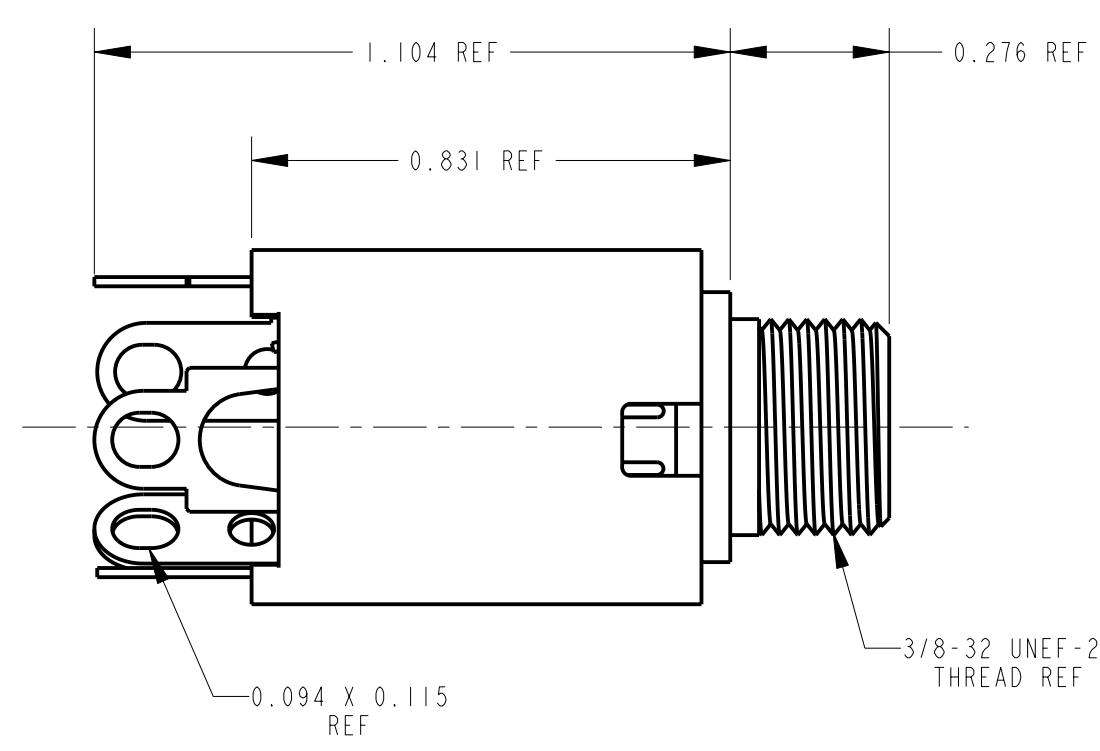
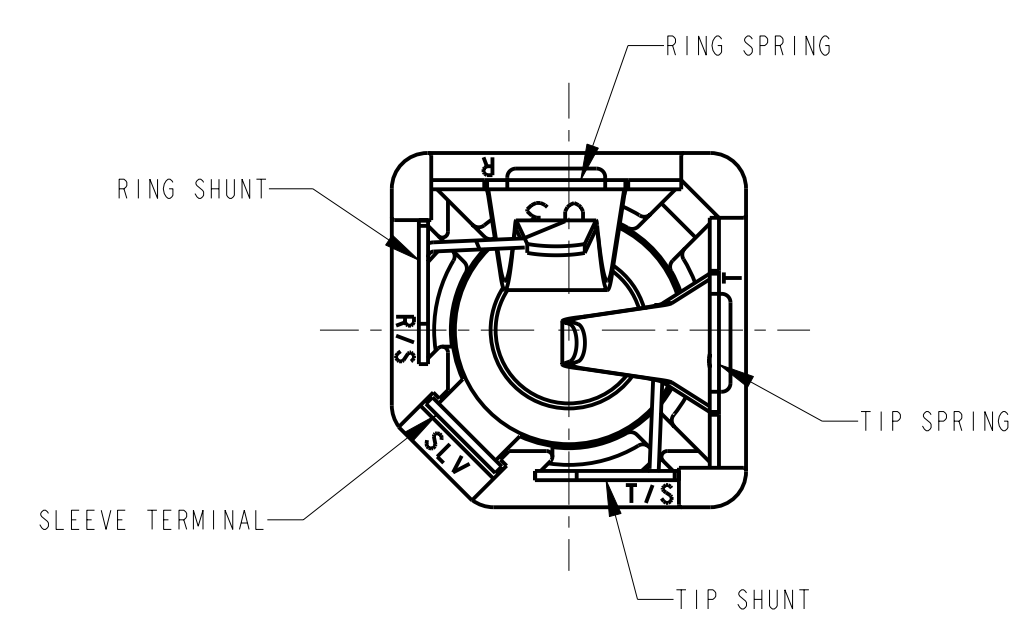
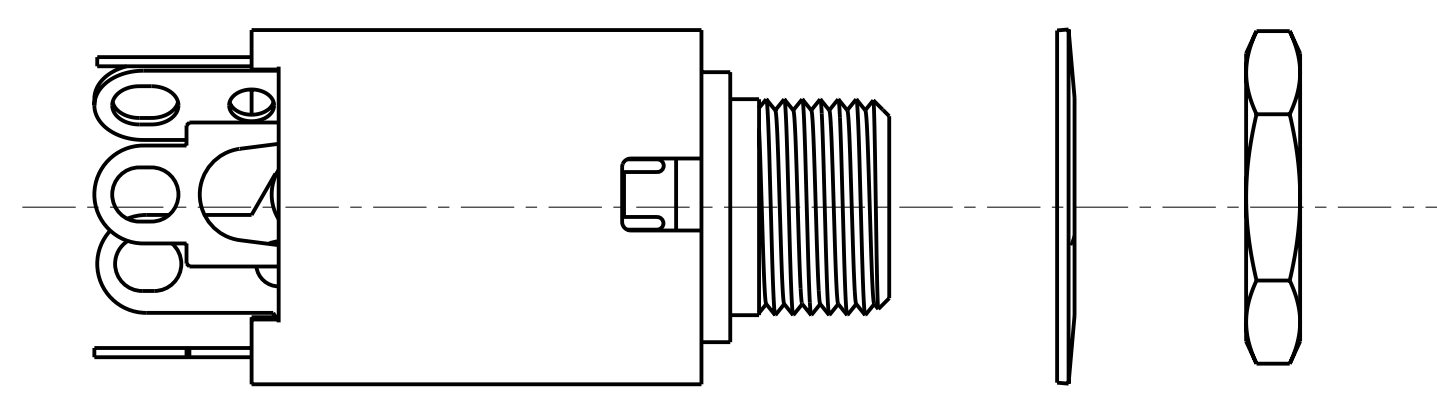
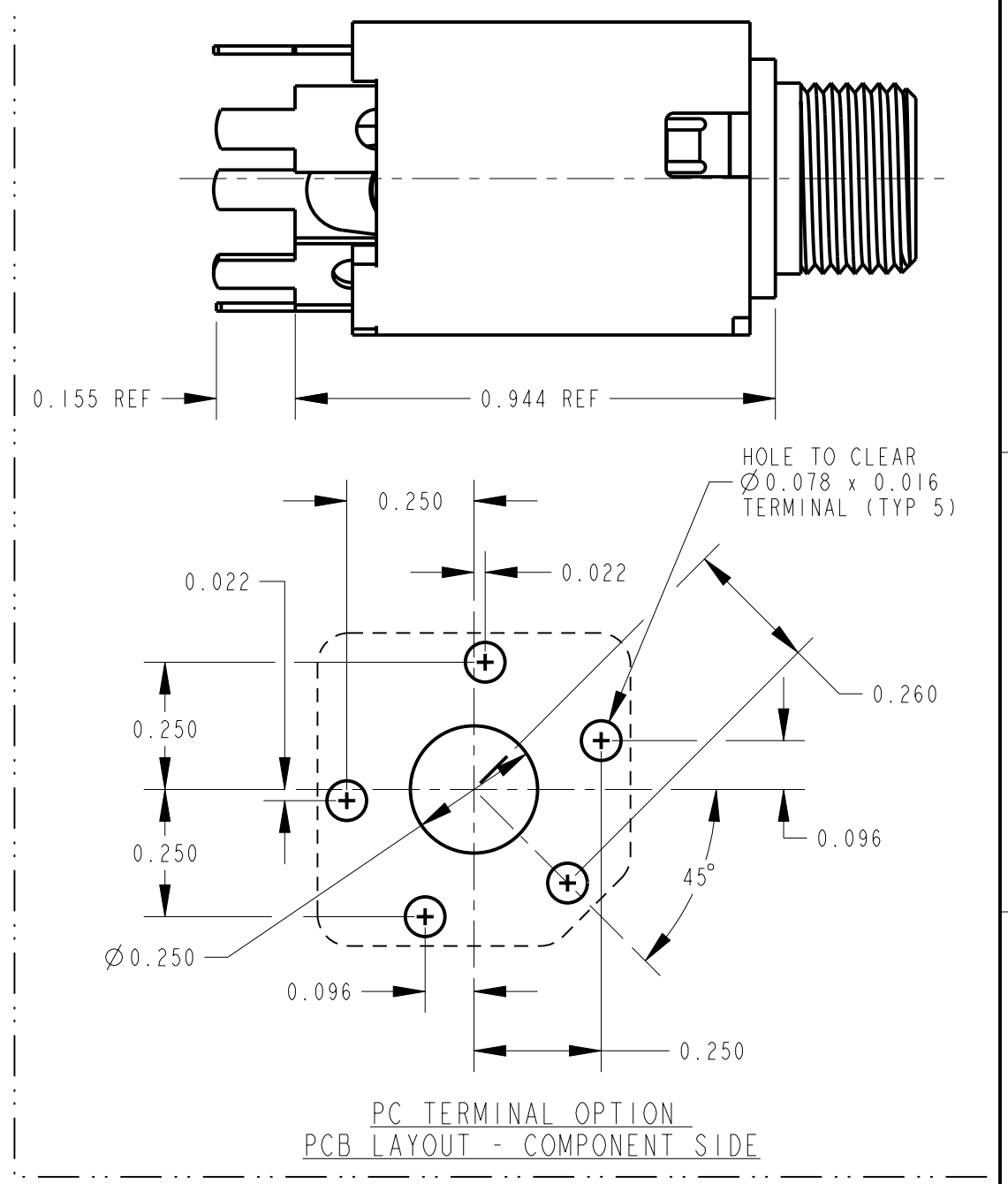
BLANK - SOLDER TERMINAL

PC - 0.078 WIDE PC TAILS

PCS - SNAP-IN PC TAILS

CIRCUITRY OPTIONS:

| | |
|--|-----------------|
| 1 - TIP OPEN CIRCUIT | TIP SLEEVE |
| 2A - TIP CLOSED CIRCUIT | TIP SLEEVE |
| 2B - TIP & RING OPEN CIRCUIT | RING TIP SLEEVE |
| 3 - TIP OPEN CIRCUIT AND ISOLATE "MAKE" CIRCUIT | TIP SLEEVE |
| 3B - TIP CLOSED CIRCUIT AND RING OPEN CIRCUIT (I-C TRANSFER) | RING TIP SLEEVE |
| 3D - 1 TIP CLOSED CIRCUIT AND 1 TIP OPEN CIRCUIT | TIP SLEEVE |
| 3E - TIP OPEN CIRCUIT AND ISOLATED "BREAK" CIRCUIT | TIP SLEEVE |
| 3F - TIP OPEN CIRCUIT AND RING CLOSED CIRCUIT | RING TIP SLEEVE |
| 4B - TIP & RING CLOSED CIRCUIT | RING TIP SLEEVE |



- NOTES:
- HARDWARE SHIPPED UNASSEMBLED.
 - MAXIMUM PANEL THICKNESS: 0.156
 - MATERIALS:
HOUSING - POLYESTER GLASS FILLED, BLACK
BUSHING - BRASS, NICKEL PLATED
SLEEVE TERMINAL - BRASS, LEAD FREE ELECTRO-TIN PLATED
SPRINGS - NICKEL SILVER, LEAD FREE ELECTRO-TIN PLATED
LIFTERS - NYLON (113 & 113E CIRCUIT OPTIONS)
WASHER - STEEL, NICKEL PLATED
NUT - BRASS, NICKEL PLATED
 - THIS PRODUCT IS RoHS COMPLIANT.

SOLDER TERMINAL OPTION

| REV | ECO NUMBER | DATE | BY | APVD |
|-----|------------|---------|-----|------|
| A | 26032 | 3-25-11 | TJK | MW |

REVISIONS

★ STAR SYMBOL DENOTES CRITICAL DIMENSION

UNLESS OTHERWISE SPECIFIED

- ALL DIMENSIONS IN INCHES
- TWO PLACE DECIMALS ±0.01
- THREE PLACE DECIMALS ±0.005
- ANGLES ±1°
- ALL DIA. CONCENTRIC WITHIN 0.005 T.I.R.
- FEATURES ON THE SAME CENTERLINE MUST BE ALIGNED WITHIN ±0.002
- REMOVE ALL BURRS

DO NOT SCALE DRAWING

| | | | | |
|--|-------|-------------------|-----------------------------|---------|
| THIS DRAWING DESCRIBES A DESIGN CONSIDERED PROPRIETARY IN NATURE, DEVELOPED AND MANUFACTURED BY SWITCHCRAFT INC. AND IS RELEASED ON A CONFIDENTIAL BASIS FOR IDENTIFICATION PURPOSES ONLY. | | | | |
| SIZE | WIDTH | MULT | LBS/M | TEMPER |
| FINISH SPEC No. | | MATERIAL SPEC No. | | |
| FIRST USED ON | | SCALE 3:1 | | |
| DATE DRAWN | BY | CHKD | APVD | |
| 4-18-06 | TJK | 4-18-06 | MW | 4-18-06 |
| NAME #3/8-32 THREADED BUSHING ∅0.25 I.D., HI-D JACK ASSY, RoHS | | | PART No. | REV |
| | | | 110X SERIES M110X SERIES | A |

CUSTOMER DRAWING

Switchcraft®

X-ON Electronics

Largest Supplier of Electrical and Electronic Components

Click to view similar products for [Pushbutton Switches](#) category:

Click to view products by [Switchcraft](#) manufacturer:

Other Similar products are found below :

[8940K2012](#) [LW1L-M1C10V-A](#) [LW1L-M1C70-A](#) [LW2L-A1C20M-GD](#) [LW2L-M1C20M-A](#) [60324L](#) [M22-D-R-GB0/K11](#) [M7E-HRN2](#)
[67021K512](#) [67081K512X](#) [701PB580](#) [7199K101](#) [810K12910](#) [810KSV30B](#) [MML21EA2ADK](#) [MML21KA3ABK](#) [MML23KA3AC05K-001](#)
[MML23KW3AA01W](#) [8418K2](#) [8442K2](#) [8442K3](#) [8450K1](#) [860K11911T01A](#) [861901](#) [861K11911T01A07](#) [861K13810T00A14](#) [861K13911](#)
[8646AB6X718UL](#) [8646ABUL](#) [9001KXRK](#) [907AYY100](#) [PMHD155A1](#) [9533CD4+U574+U4922](#) [95-414.000](#) [99-450.837](#) [99-453.837](#)
[PV3H2B0NN-341](#) [1203MRA](#) [A22NZBGANGA](#) [A22NZBNANGA](#) [A22NZMPATRA](#) [A2PMA1X03EC56](#) [A3A-5123-02](#) [A3A-7140](#) [A3A-7310](#) [A3A-7340](#) [A3U-TMW-A2C-5M](#) [A595](#) [12037A2ULCSA](#) [ABD122N-B](#)