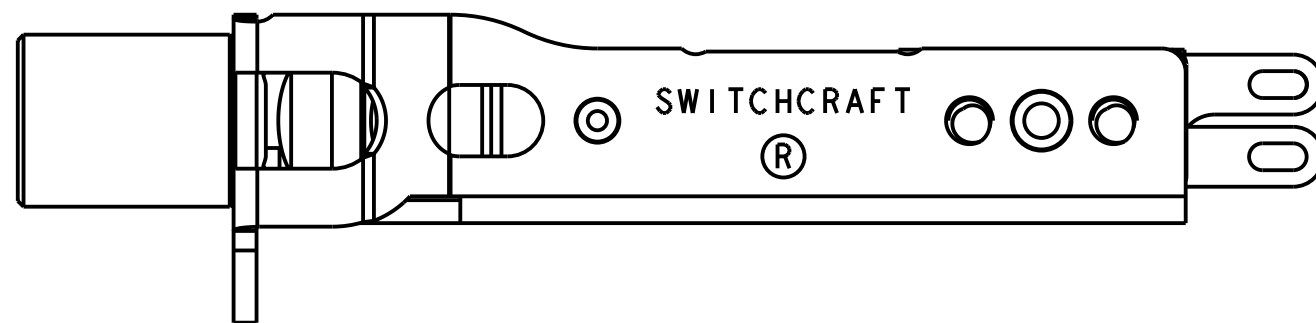
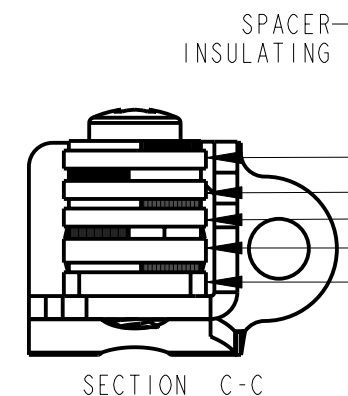
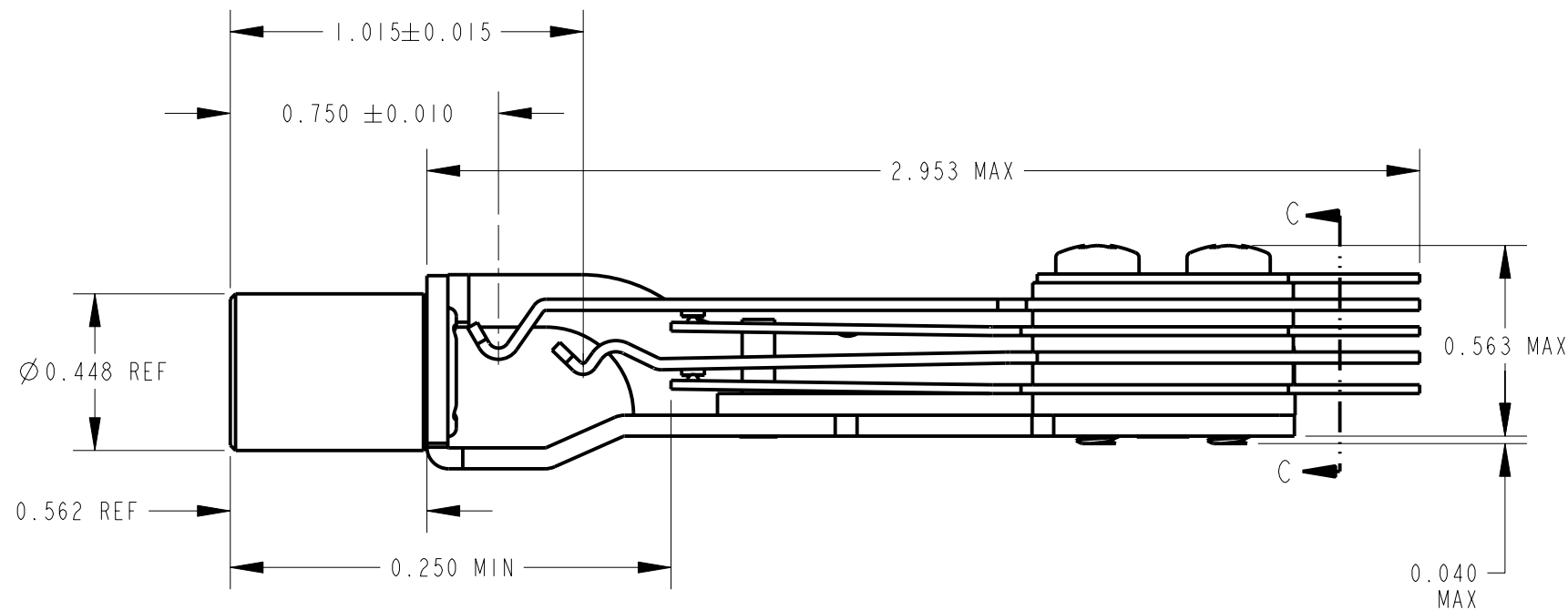
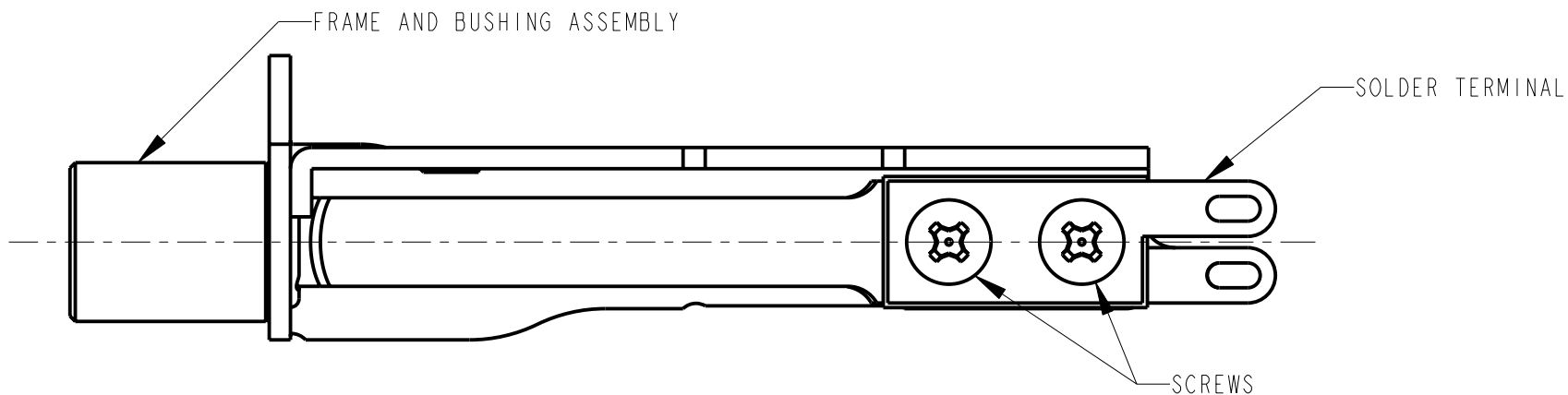
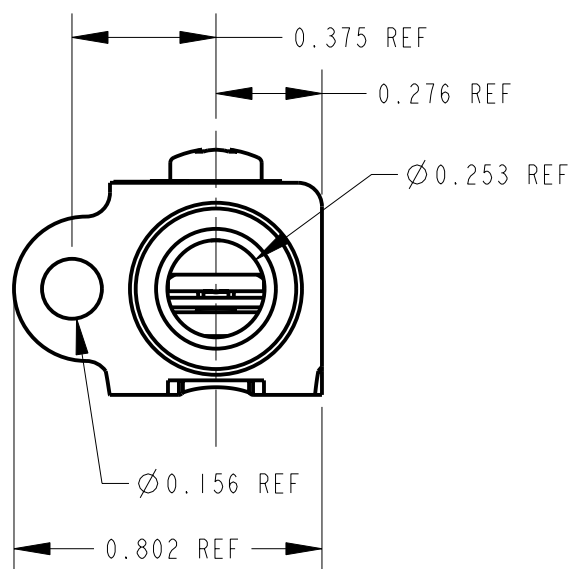


SCALE 1:1



NOTES:

- MATES WITH PJ-051 PLUG.
- MATERIALS:
 FRAME - STEEL, NICKEL PLATED
 BUSHING - BRASS, NICKEL PLATED
 SPRINGS - NICKEL SILVER, SPRING TEMPERED
 CONTACTS - WELDED CROSS BAR, PALLADIUM
 SPACERS - PHENOLIC, TYPE PBE-P
 LIFTER/SPACER - THERMOPLASTIC
 TERMINALS - HOT TIN DIPPED, LEAD FREE SOLDER
 SCREWS - STEEL, NICKEL PLATED
- THIS PRODUCT IS RoHS COMPLIANT.
(NOT MILITARY APPROVED)

CUSTOMER DRAWING

					★ STAR SYMBOL DENOTES CRITICAL DIMENSION	THIS DRAWING DESCRIBES A DESIGN CONSIDERED PROPRIETARY IN NATURE, DEVELOPED AND MANUFACTURED BY SWITCHCRAFT INC. AND IS RELEASED ON A CONFIDENTIAL BASIS FOR IDENTIFICATION PURPOSES ONLY.					
					UNLESS OTHERWISE SPECIFIED	SIZE	WIDTH	MULT	LBS/M	TEMPER	
					1. ALL DIMENSIONS IN INCHES - TWO PLACE DECIMALS ±0.01 - THREE PLACE DECIMALS ±0.005 - ANGLES ±1° - ALL DIA. CONCENTRIC WITHIN 0.005 T.I.R.	FINISH		MATERIAL			
					2. FEATURES ON THE SAME CENTERLINE MUST BE ALIGNED WITHIN ±0.002	SPEC No.		SPEC No.			
					3. REMOVE ALL BURRS	FIRST USED ON M641/3-2		SCALE 2:1		Switchcraft®	
B	26449	9-16-09	TO	TJK	DATE DRAWN	BY	CHKD	APVD	SHEET OF		
A	25269	1-26-06	TO	TJK	30-Aug-10	TO	TO 8-30-10	TJK 9-5-10	REV		
REV	ECO NUMBER	DATE	BY	APVD	NAME TELEPHONE JACK SOLDER TERMINAL, RoHS					PART No. MT334BX	B
REVISIONS					DO NOT SCALE DRAWING						

X-ON Electronics

Largest Supplier of Electrical and Electronic Components

Click to view similar products for [Switchcraft](#) manufacturer:

Other Similar products are found below :

[8382-2PG-3DC](#) [585](#) [6006L](#) [60324L](#) [60KD4M](#) [M444B](#) [MMVP48K175T](#) [MMVP96K3NNT](#) [913DS](#) [12010X](#) [1200](#) [12011](#) [QGPK1CAT5E](#)
[AAA5FBAUZ](#) [12JL6M](#) [D6MBAU](#) [13033T](#) [13282-18SG-331](#) [13382-10PG-321](#) [DS317](#) [E3FAUQG](#) [E3FDAU](#) [E3FDB](#) [E3FDRAAU](#)
[E3FDRAB](#) [E3FDSTAU](#) [E3FDSTBAU](#) [E3FRAAUQG](#) [E3FSTB](#) [E3FSTBAU](#) [E3MAU](#) [E3MAUQG](#) [EHFW800X2PKG](#) [160](#) [EMHB](#)
[MT334B](#) [MT48FNX](#) [EN3C11F26](#) [EN3P3FP](#) [MVP32K1NTX](#) [175](#) [18QA18](#) [18QF18](#) [18QK18](#) [20QD20N4](#) [20QF20](#) [20QF20N2](#) [20QF20N6](#)
[P10834](#) [P2724](#)