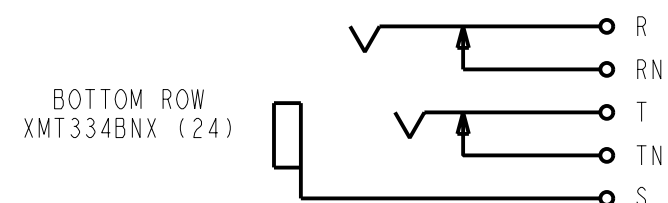
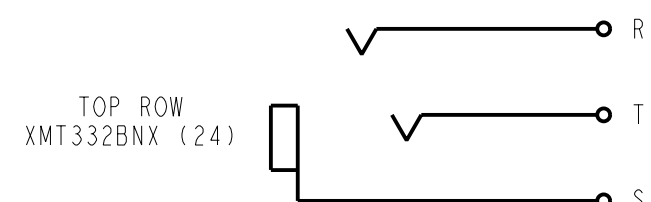


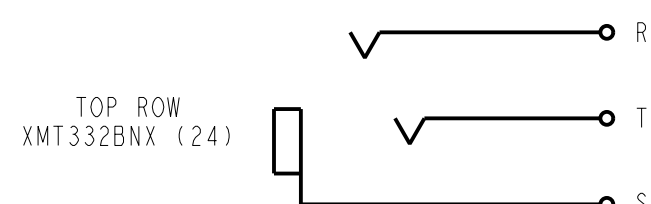
MT48K1FNX
SCHEMATIC



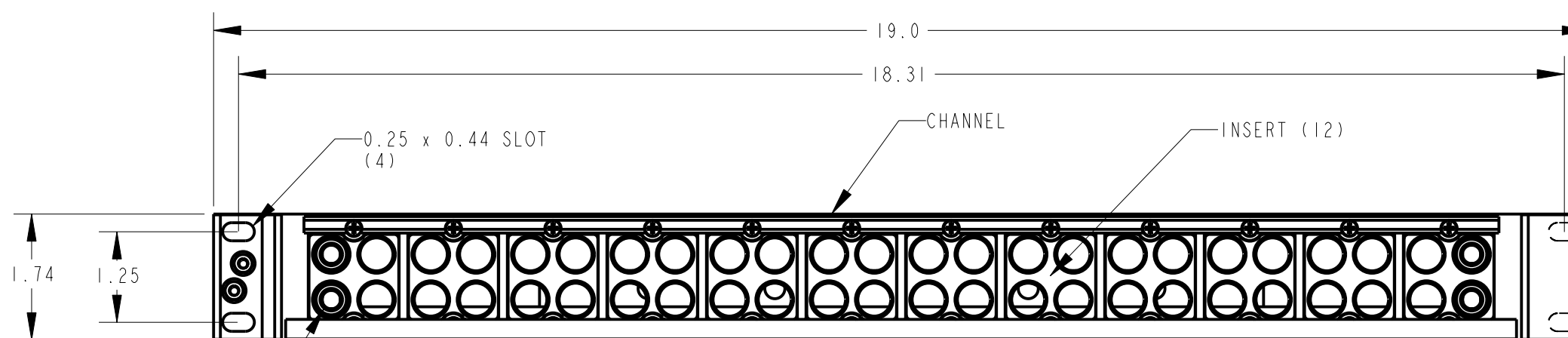
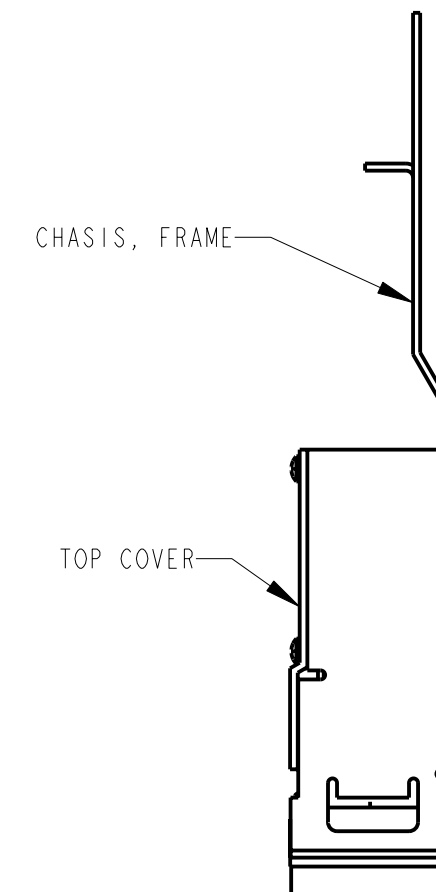
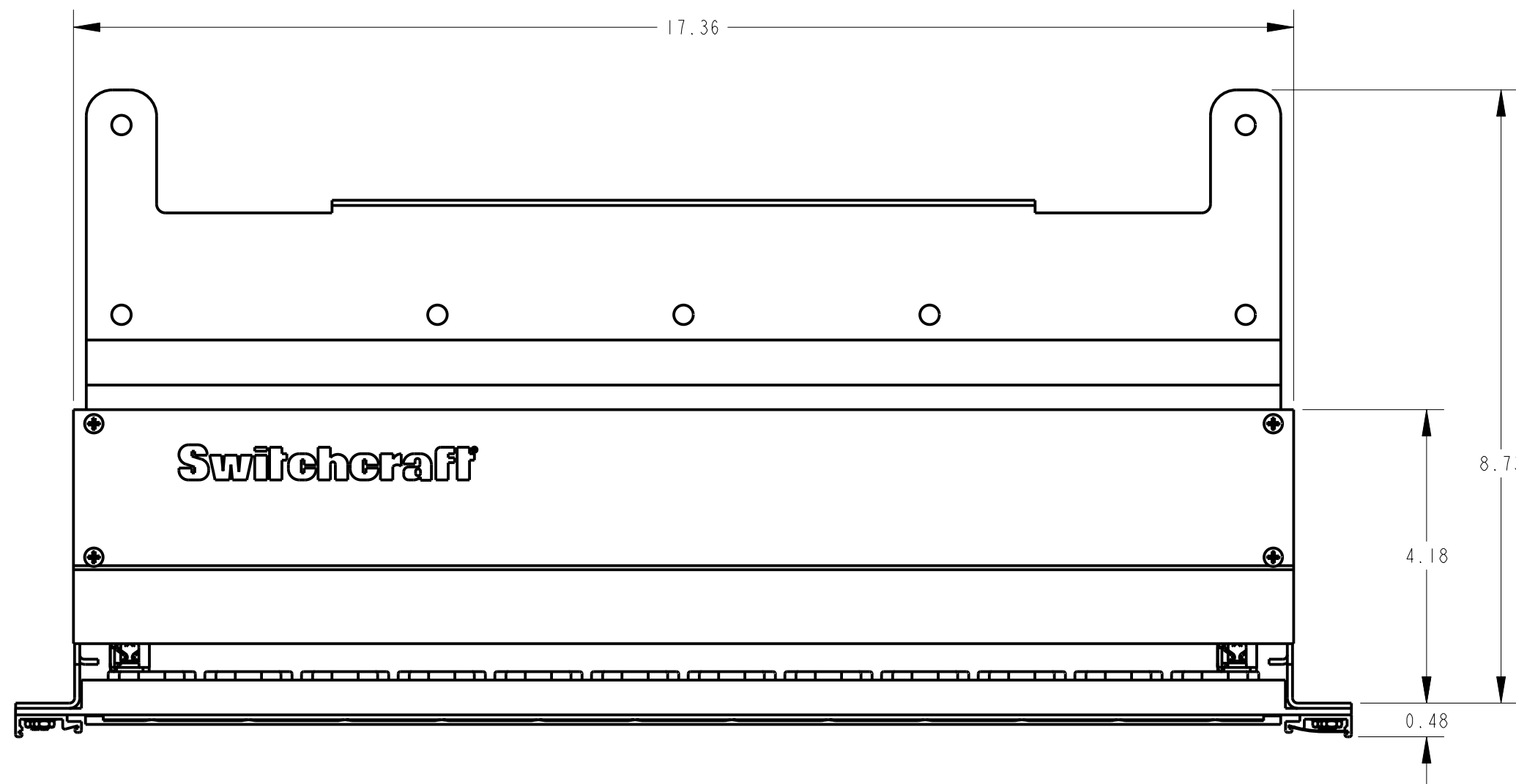
MT48K1HNX
SCHEMATIC



MT48K1NNX
SCHEMATIC



MT48K1NSX
SCHEMATIC



XMT JACKS
SEE TABLE AND SCHEMATIC

NOTES:

- MATERIALS:
CHASIS, FRAME - CRS, BLACK EPOXY PAINT
TOP COVER - ALUMINUM, BLACK ANNOXIDIZED
JACK INSULATOR BLOCKS - THERMOPLASTIC, BLACK
JACK FRAME - CRS, NICKEL PLATED
JACK BUSHING - BRASS, NICKEL PLATED
- MOUNTING SCREWS, DESIGNATION STRIPS, MARKING STRIPS AND COVERS SHIPPED UNASSEMBLED.
- RoHS COMPLIANT.

PART NUMBER	TYPE	JACK PART NUMBERS
MT48K1FNX	FULL NORMAL	XMT334BNX (48)
MT48K1HNX	HALF NORMAL	XMT332BNX (24) TOP XMT334BNX (24) BOTTOM
MT48K1NNX	NON-NORMAL	XMT332BNX (48)
MT48K1NSX	FULL NORMAL NORMALS STRAPPED	XMT334BNX (48)

CUSTOMER DRAWING

<p>★ STAR SYMBOL DENOTES CRITICAL DIMENSION</p> <p>UNLESS OTHERWISE SPECIFIED</p> <p>1. ALL DIMENSIONS IN INCHES - TWO PLACE DECIMALS ±0.01 - THREE PLACE DECIMALS ±0.005 - ANGLES ±1° - ALL DIA. CONCENTRIC WITHIN 0.005 T.I.R.</p> <p>2. FEATURES ON THE SAME CENTERLINE MUST BE ALIGNED WITHIN ±0.002</p> <p>3. REMOVE ALL BURRS</p> <p>DO NOT SCALE DRAWING</p>					<p>THIS DRAWING DESCRIBES A DESIGN CONSIDERED PROPRIETARY IN NATURE, DEVELOPED AND MANUFACTURED BY SWITCHCRAFT INC. AND IS RELEASED ON A CONFIDENTIAL BASIS FOR IDENTIFICATION PURPOSES ONLY.</p> <p>SIZE WIDTH MULT LBS/M TEMPER</p> <p>FINISH SPEC No. MATERIAL SPEC No.</p> <p>FIRST USED ON SCALE 1:2</p> <p>DATE DRAWN BY TO CHKD TO APVD TO TJK</p> <p>24-Nov-10 TO 11-24-10 11-24-10</p> <p>NAME IRU, UNWIRED PART No. P-KIT ASSEMBLY, RoHS MT48K1_X_SERIES</p>					
REV	ECO NUMBER	DATE	BY	APVD	REVISIONS	<p>REVISIONS</p>				
B	27743	7-25-16	TO	TJK		<p>Switchcraft®</p>				
A	26405	6-24-09	TO	TJK		<p>SHEET OF </p>				
<p>REVISIONS</p>						<p>REV B</p>				

X-ON Electronics

Largest Supplier of Electrical and Electronic Components

Click to view similar products for [Patch Panels](#) category:

Click to view products by [Switchcraft](#) manufacturer:

Other Similar products are found below :

[MMVP96K2N75T](#) [MMVP96K2NNT](#) [MMVP96K2NT](#) [MMVP96K3NNT](#) [QGPK1LCM](#) [QGPK3CAT5E](#) [QGPK3CAT5ES](#) [QGPK3LC](#)
[QGPK3LCM](#) [QGPK3ST](#) [QGPK3STM](#) [DS303](#) [DS311](#) [DS317](#) [JS-16](#) [JSH-24](#) [QGPK1CAT5ES](#) [QGPK1CAT6S](#) [QGPK1LC](#) [QGPK1SC](#)
[QGPK1SCM](#) [QGPK1ST](#) [QGPK1STM](#) [QGPK3CAT6](#) [QGPK3CAT6S](#) [QGPK3SC](#) [TT91202](#) [TT91402](#) [MMVP48K275T](#) [MMVP48K2NNT](#)
[MMVP48K2NT](#) [MMVP96K275T](#) [MMVP96K375T](#) [MMVP96K3N75T](#) [JSIS-72](#) [K576](#) [DS385](#) [Switchcraft TT518](#) [TT95DC](#) [TT91002](#)
[DS368](#) [JS-36A](#) [JSI-8D2SF24](#) [JSIX-64S](#) [JSI-48A](#) [JS-52W](#) [JSI-40S](#) [K6004B](#) [314DI](#) [K6002D](#)