



PCS TERMINAL OPTION  
PCB LAYOUT - COMPONENT SIDE

N - MOLDED INSULATING NYLON BUSHING

MN - "M" - GOLD PLATED SPRINGS WITH GOLD ALLOY CONTACTS ON RING SPRINGS AND SHUNT SPRINGS (WHEN SHUNTS ARE USED)

"N" - MOLDED INSULATING NYLON BUSHING

11

X

RoHS COMPLIANT

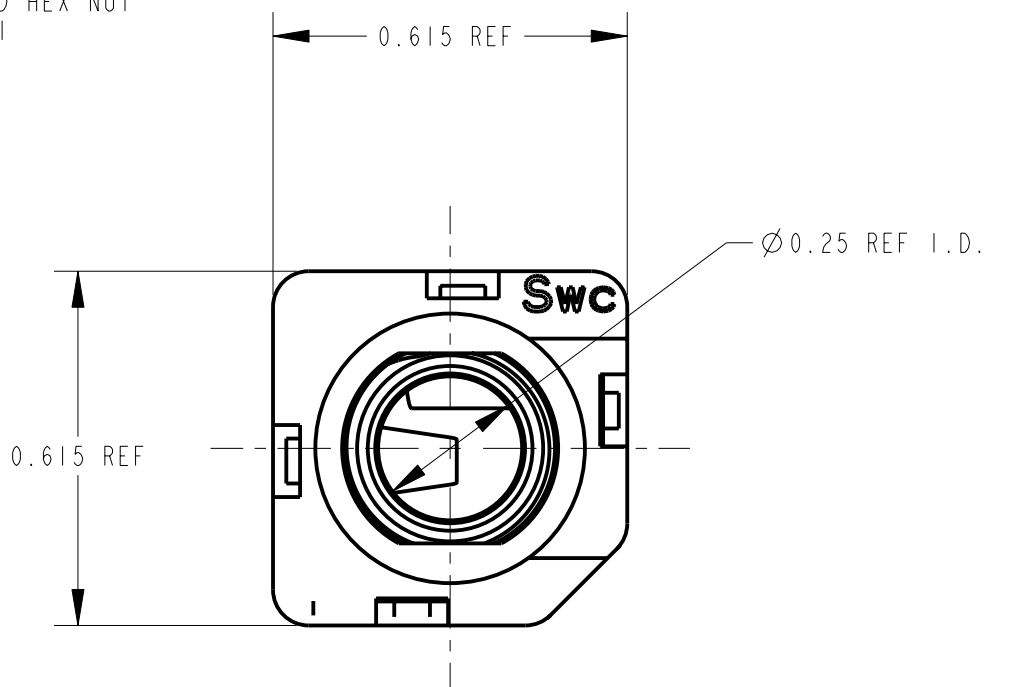
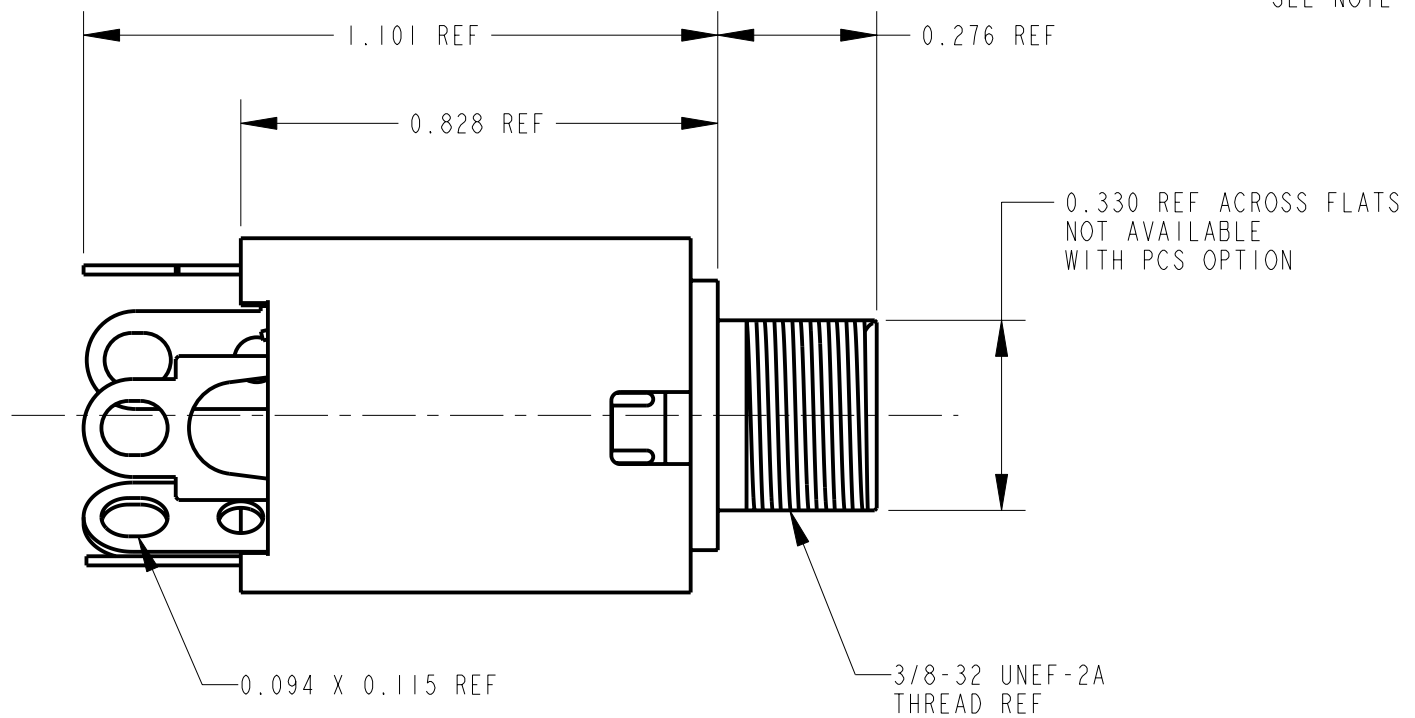
TERMINAL OPTIONS:  
BLANK - SOLDER TERMINAL  
PC - 0.078 WIDE PC TAILS  
PCS - SNAP-IN PC TAILS

CIRCUITRY:

|  |                 |
|--|-----------------|
| 1 - TIP OPEN CIRCUIT   | TIP SLEEVE      |
| 2A - TIP CLOSED CIRCUIT                                      | TIP SLEEVE      |
| 2B - TIP & RING OPEN CIRCUIT                                 | RING TIP SLEEVE |
| 3 - TIP OPEN CIRCUIT AND ISOLATE "MAKE" CIRCUIT              | TIP SLEEVE      |
| 3B - TIP CLOSED CIRCUIT AND RING OPEN CIRCUIT (I-C TRANSFER) | RING TIP SLEEVE |
| 3D - 1 TIP CLOSED CIRCUIT AND 1 TIP OPEN CIRCUIT             | TIP TIP SLEEVE  |
| 3E - TIP OPEN CIRCUIT AND ISOLATED "BREAK" CIRCUIT           | TIP SLEEVE      |
| 3F - TIP OPEN CIRCUIT AND RING CLOSED CIRCUIT                | RING TIP SLEEVE |
| 4B - TIP & RING CLOSED CIRCUIT                               | RING TIP SLEEVE |



PC TERMINAL OPTION  
PCB LAYOUT - COMPONENT SIDE



SOLDER TERMINAL OPTION

NOTES:

- HARDWARE SHIPPED UNASSEMBLED.
- MAXIMUM PANEL THICKNESS: 0.156
- MATERIALS:  
HOUSING - POLYESTER GLASS FILLED, BLACK  
BUSHING - THERMOPLASTIC, BLACK WITH BRASS, NICKEL PLATED SLEEVE  
SLEEVE TERMINAL - BRASS, LEAD FREE ELECTRO-TIN PLATED  
SPRINGS - NICKEL SILVER, LEAD FREE ELECTRO-TIN PLATED  
LIFTERS - NYLON (113 & 113E CIRCUIT OPTIONS)  
WASHER - STEEL, NICKEL PLATED  
NUT - BRASS, NICKEL PLATED
- THIS PRODUCT IS RoHS COMPLIANT.

| REV       | ECO NUMBER | DATE    | BY  | APVD |
|-----------|------------|---------|-----|------|
| A         | 26032      | 3-25-11 | TJK | TJK  |
| REVISIONS |            |         |     |      |

★ STAR SYMBOL DENOTES CRITICAL DIMENSION

UNLESS OTHERWISE SPECIFIED

- ALL DIMENSIONS IN INCHES  
- TWO PLACE DECIMALS ±0.01  
- THREE PLACE DECIMALS ±0.005  
- ANGLES ±1°  
- ALL DIA. CONCENTRIC WITHIN 0.005 T.I.R.
- FEATURES ON THE SAME CENTERLINE MUST BE ALIGNED WITHIN ±0.002
- REMOVE ALL BURRS

DO NOT SCALE DRAWING

CUSTOMER DRAWING

THIS DRAWING DESCRIBES A DESIGN CONSIDERED PROPRIETARY IN NATURE, DEVELOPED AND MANUFACTURED BY SWITCHCRAFT INC. AND IS RELEASED ON A CONFIDENTIAL BASIS FOR IDENTIFICATION PURPOSES ONLY.

|                                  |       |                   |       |        |
|----------------------------------|-------|-------------------|-------|--------|
| SIZE                             | WIDTH | MULT              | LBS/M | TEMPER |
| FINISH                           |       | MATERIAL SPEC No. |       |        |
| SPEC No.                         |       | SCALE 3:1         |       |        |
| FIRST USED ON                    |       | DATE DRAWN        |       |        |
| 02-Apr-07                        |       | BY TJK            |       |        |
| CHKD TJK                         |       | APVD TJK          |       |        |
| 4-2-07                           |       | 4-2-07            |       |        |
| NAME #3/8-32 INSULATED BUSHING   |       |                   |       | REV A  |
| Ø0.25 I.D. HI-D JACK ASS'Y, RoHS |       |                   |       |        |

Switchcraft®

SHEET | OF |

PART No. N110X SERIES  
MN110X SERIES

## X-ON Electronics

Largest Supplier of Electrical and Electronic Components

*Click to view similar products for [Audio CODECs](#) category:*

*Click to view products by [Switchcraft](#) manufacturer:*

Other Similar products are found below :

[128](#) [AQGP323](#) [B52N12](#) [XLM331PCSF](#) [XLR413](#) [XLRSDC\(M02\)](#) [TT636](#) [M-XL-3-11L](#) [M-XL-5-11S](#) [XLM332PCVF](#) [XLM332PCSF](#)  
[XLM331PCVF](#) [30-498-3](#) [7151](#) [RSJ-370-NL](#) [SCJ-0253-NL](#) [282](#) [54A](#) [46765-1001-TR250](#) [0472720029](#) [RSJ-0902-NL](#) [HDMI-S-V-](#)  
[DCAN1940C2TR](#) [BJ300-02-Y-A](#) [ASJ-125-3](#) [M55116/2-4](#) [GC283-1](#) [XLR632](#) [M55116/2-3](#) [M55116/3-3](#) [RJ-1004-30R-NL](#) [ASJ-6-5](#) [KLB4](#)  
[1501 03](#) [FCR20673](#) [09454521010](#) [50-00398](#) [150303R](#) [N112BPCSX](#) [XKTO1SCHWARZ](#) [130863-02-E](#) [50-00041](#) [50-00397](#) [50-00399](#)  
[NC3FBH2-D](#) [NC3FDM3-H-0](#) [NC5FBH-D](#) [RSJ362NL](#) [M55116/10-0](#) [54-00035](#) [2001-1-2-21-00-BK](#)