

TERMINAL FINISH OPTIONS:

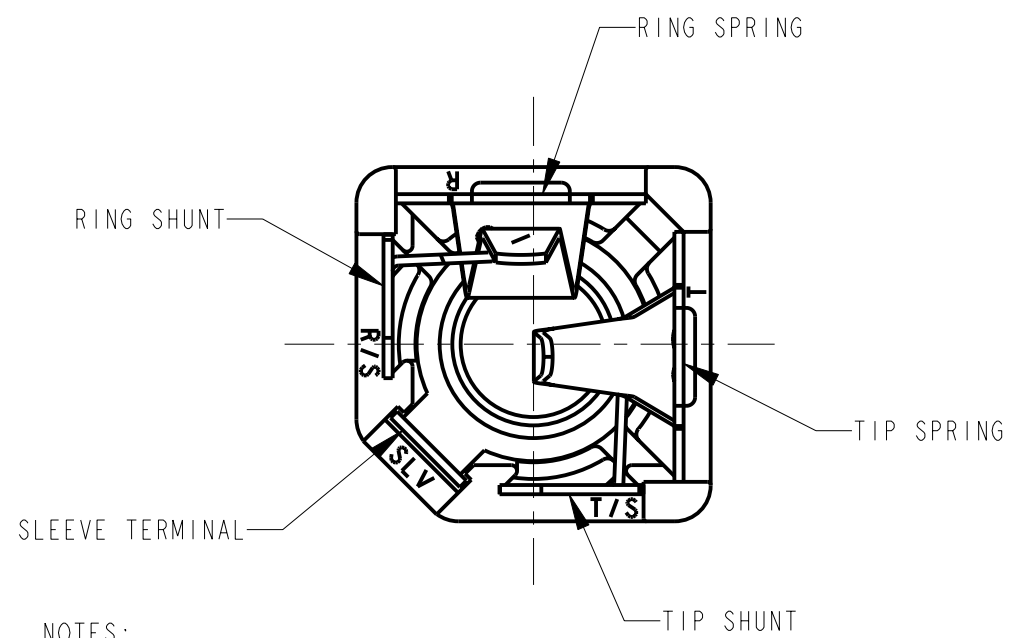
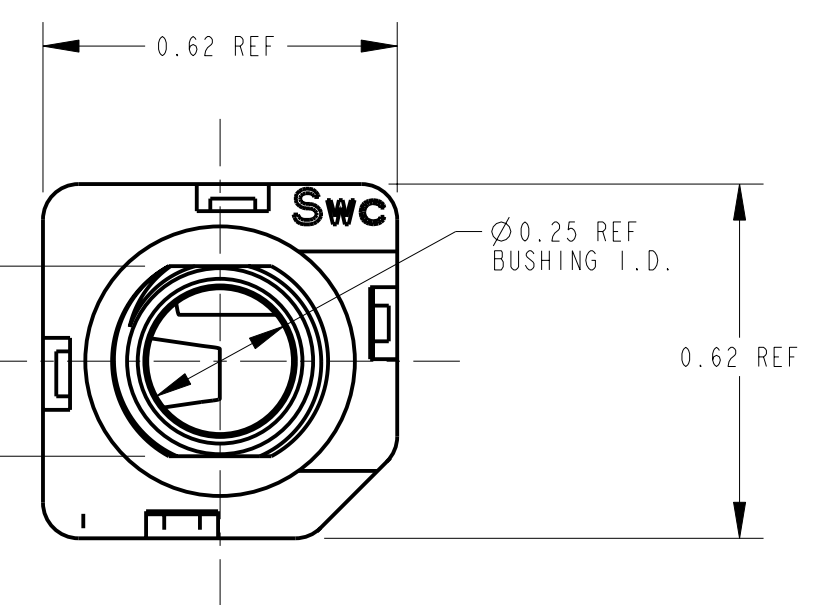
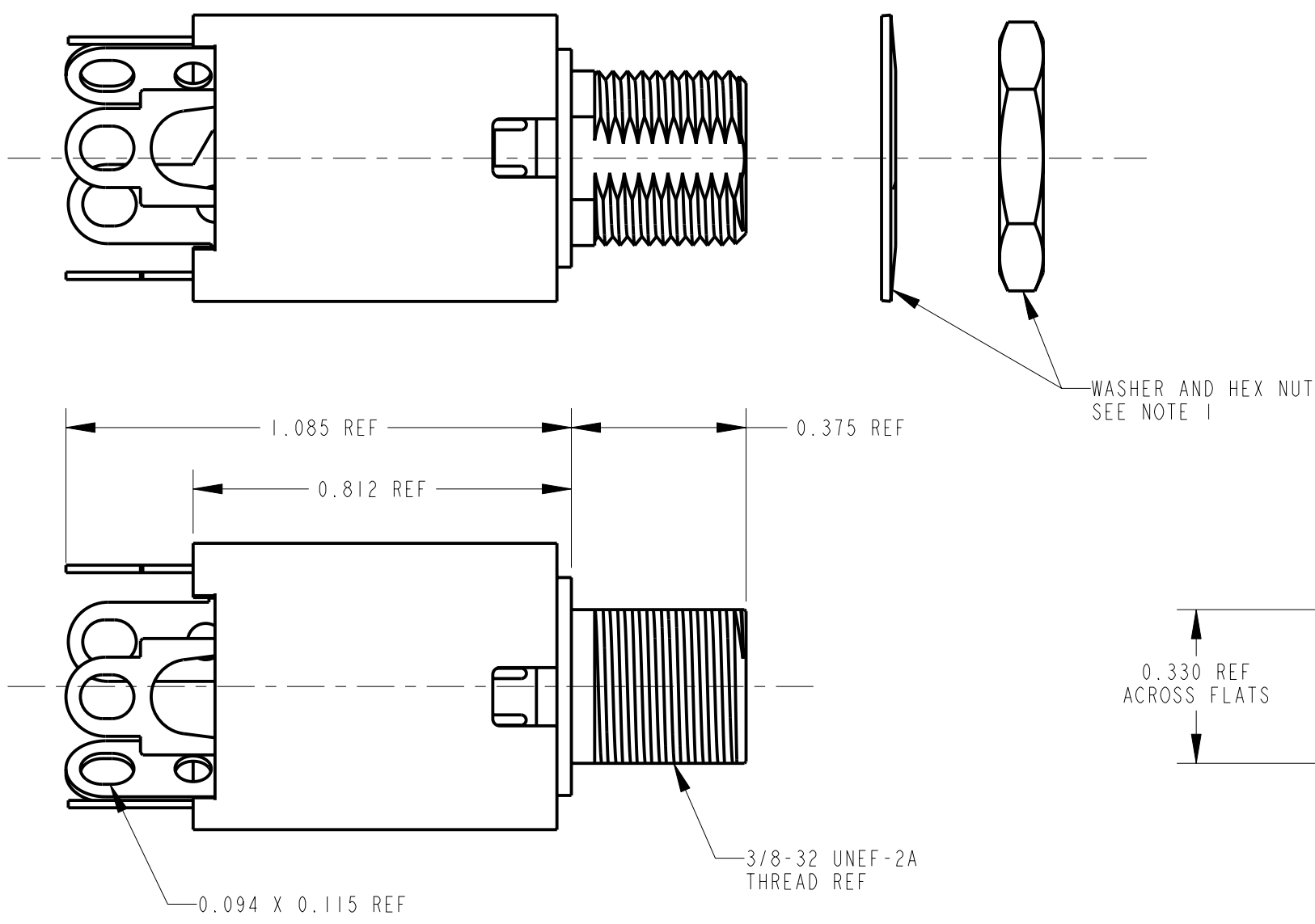
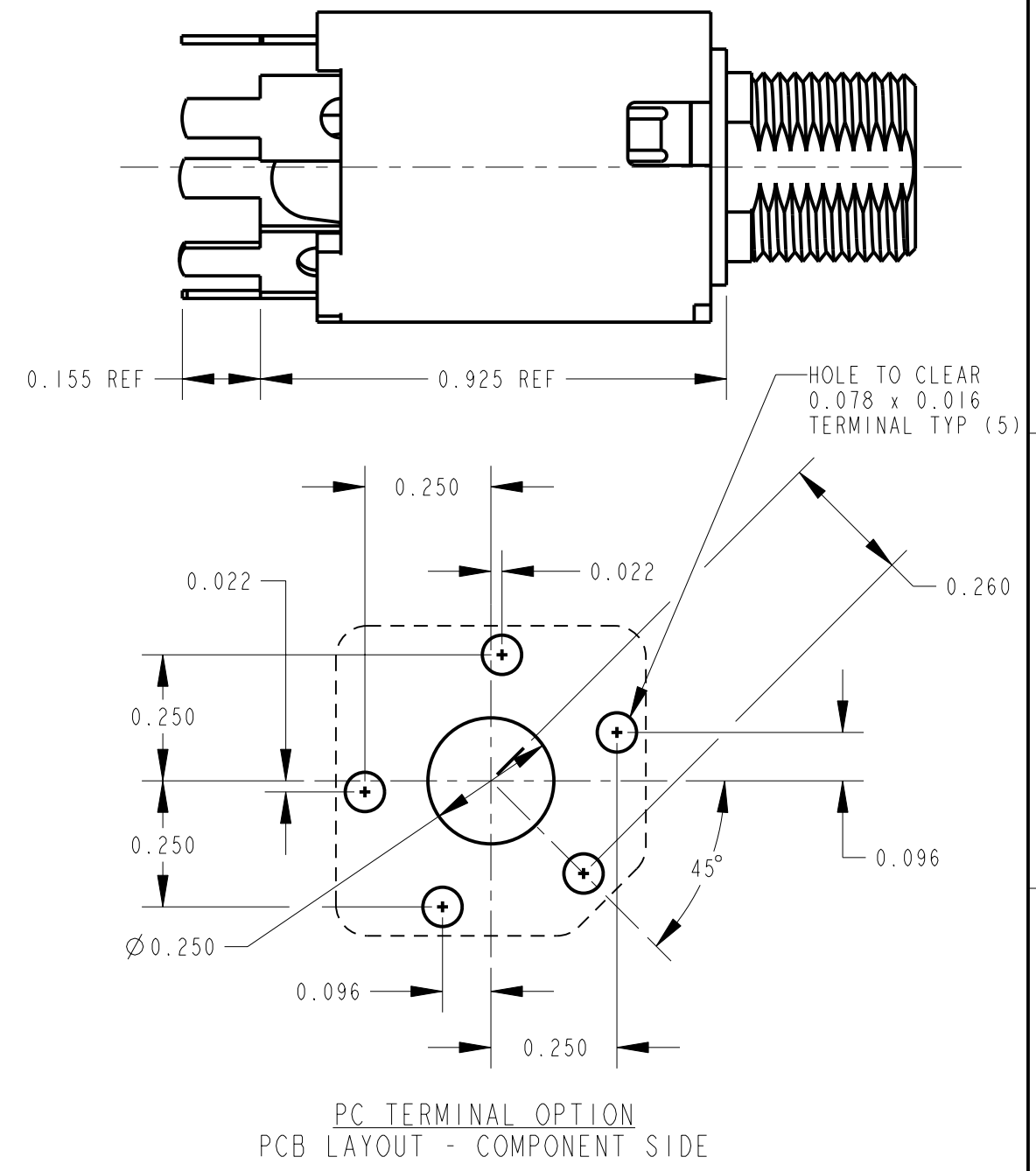
NL - "N" INSULATING, MOLDED NYLON BUSHING
"L" 0.375 LONG BUSHING

MNL - "M" GOLD PLATED SPRINGS WITH GOLD CONTACTS ON RING SPRINGS AND SHUNT SPRINGS (WHEN SHUNTS ARE USED)
"N" INSULATING, MOLDED NYLON BUSHING
"L" 0.375 LONG BUSHING

TERMINAL OPTIONS:
R_oHS COMPLIANT
BLANK - SOLDER TERMINAL
PC - 0.078 WIDE PC TAILS
PCS - SNAP-IN PC TAILS

CIRCUITRY OPTIONS:

1 - TIP OPEN CIRCUIT	TIP SLEEVE
2A - TIP CLOSED CIRCUIT	TIP SLEEVE
2B - TIP & RING OPEN CIRCUIT	RING TIP SLEEVE
3 - TIP OPEN CIRCUIT AND ISOLATE "MAKE" CIRCUIT	TIP SLEEVE
3B - TIP CLOSED CIRCUIT AND RING OPEN CIRCUIT (I-C TRANSFER)	RING TIP SLEEVE
3D - I TIP CLOSED CIRCUIT AND I TIP OPEN CIRCUIT	TIP SLEEVE
3E - TIP OPEN CIRCUIT AND ISOLATED "BREAK" CIRCUIT	TIP SLEEVE
3F - TIP OPEN CIRCUIT AND RING CLOSED CIRCUIT	RING TIP SLEEVE
4B - TIP & RING CLOSED CIRCUIT	RING TIP SLEEVE



- NOTES:
- HARDWARE SHIPPED UNASSEMBLED.
 - MAXIMUM PANEL THICKNESS: 0.25
 - MATERIALS:
HOUSING - POLYESTER GLASS FILLED, BLACK
BUSHING - THERMOPLASTIC, BLACK WITH BRASS, NICKEL PLATED SLEEVE
SLEEVE TERMINAL - BRASS, LEAD FREE ELECTRO-TIN PLATED
SPRINGS - NICKEL SILVER, LEAD FREE ELECTRO-TIN PLATED
LIFTERS - NYLON (113 & 113E CIRCUIT OPTIONS)
WASHER - STEEL, NICKEL PLATED
NUT - BRASS, NICKEL PLATED
 - THIS PRODUCT IS R_oHS COMPLIANT.

SOLDER TERMINAL OPTION

CUSTOMER DRAWING

★ STAR SYMBOL DENOTES CRITICAL DIMENSION				THIS DRAWING DESCRIBES A DESIGN CONSIDERED PROPRIETARY IN NATURE, DEVELOPED AND MANUFACTURED BY SWITCHCRAFT INC. AND IS RELEASED ON A CONFIDENTIAL BASIS FOR IDENTIFICATION PURPOSES ONLY.					
UNLESS OTHERWISE SPECIFIED				SIZE	WIDTH	MULT	LBS/M	TEMPER	
1. ALL DIMENSIONS IN INCHES - TWO PLACE DECIMALS ±0.01 - THREE PLACE DECIMALS ±0.005 - ANGLES ±1° - ALL DIA. CONCENTRIC WITHIN 0.005 T.I.R.				FINISH SPEC No.		MATERIAL SPEC No.			
2. FEATURES ON THE SAME CENTERLINE MUST BE ALIGNED WITHIN ±0.002				FIRST USED ON		SCALE 3:1		Switchcraft	
3. REMOVE ALL BURRS				DATE DRAWN	BY	CHKD	APVD		
DO NOT SCALE DRAWING				17-Jul-08	TJK	7-17-08	7-17-08	SHEET OF	
REVISIONS				NAME #3/8-32, LONG INSULATED BUSHING Ø0.25 I.D. HI-D JACK ASSY, R _o HS				PART No. NLI10X SERIES MNL10X SERIES	REV A

X-ON Electronics

Largest Supplier of Electrical and Electronic Components

Click to view similar products for [Phone Connectors](#) category:

Click to view products by [Switchcraft](#) manufacturer:

Other Similar products are found below :

[M444B](#) [6J1041A](#) [R4F](#) [E12BPKG](#) [ECP4PKG](#) [161-3502L-E](#) [MT333X](#) [171-0350-EX](#) [171-101A-EX](#) [171-3325-EX](#) [176S](#) [NC3MG-V](#)
[NS112BX](#) [NYS228G](#) [P10834](#) [P2380](#) [P2381X](#) [P2411X](#) [P2412](#) [P2724](#) [JM2PB-AU BULK](#) [9144](#) [S2674](#) [280L](#) [163-158N-2-E](#) [171-3308-EX](#)
[171-3500-E](#) [2501FT](#) [CMT335](#) [M10662](#) [330Q](#) [RJ5VI-S](#) [40116](#) [TM1R-AU](#) [TM2PBMJ-AU](#) [TM2PJ-AU](#) [TM2PJ-AU BULK](#) [4803.1351](#)
[49201](#) [49205](#) [TS3PBJ-AU](#) [TS3PBMJ-AU](#) [TT32BX](#) [54B](#) [40112](#) [40205](#) [415](#) [XMT332B](#) [52170017-331](#) [570](#)