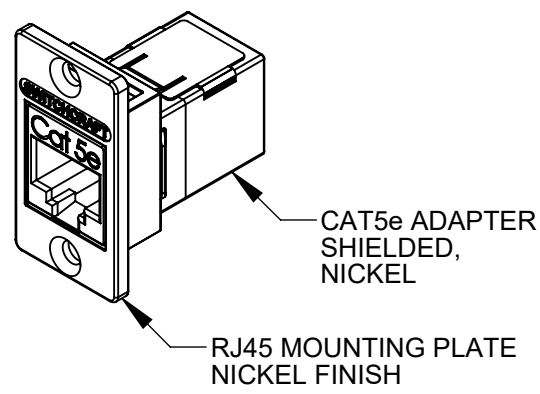
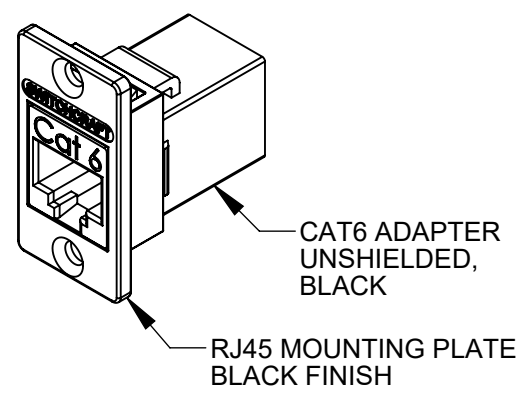


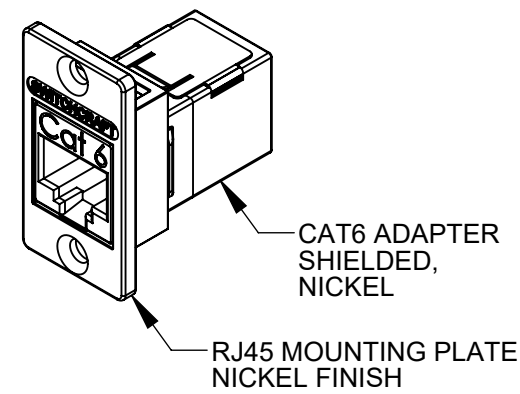
NHRJ45D5EB
UNSHIELDED



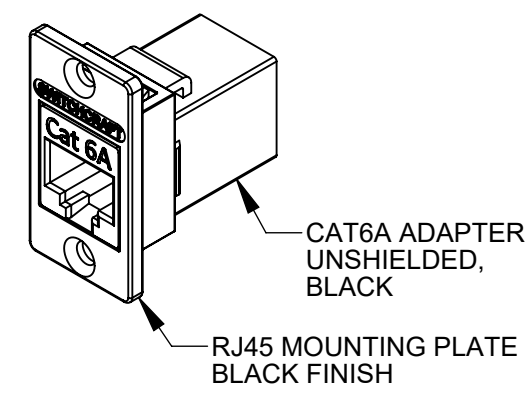
NHRJ45D5ES
SHIELDED



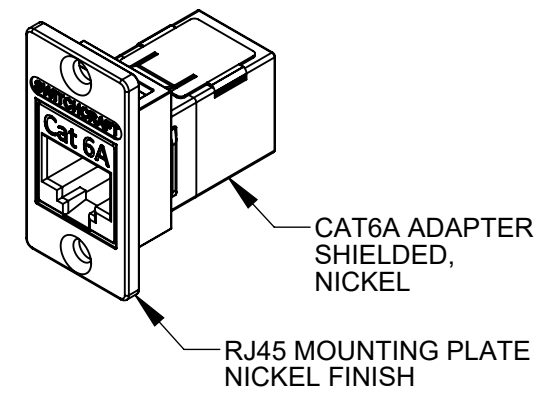
NHRJ45D6B
UNSHIELDED



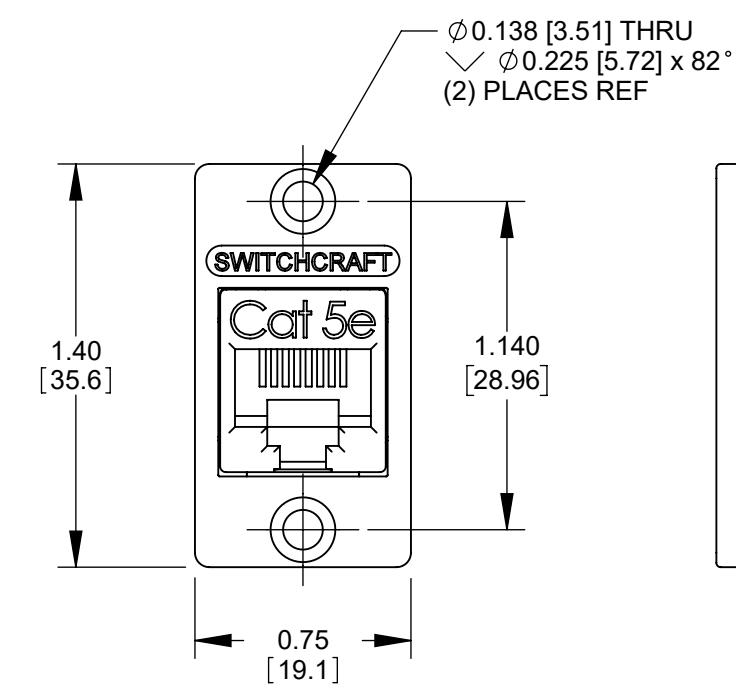
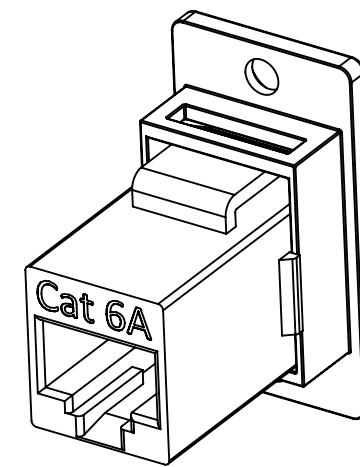
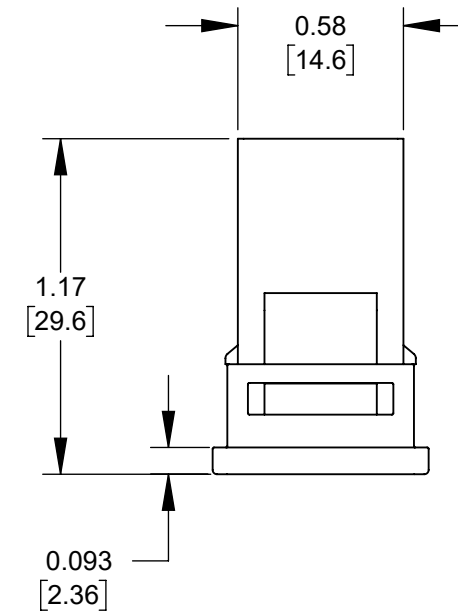
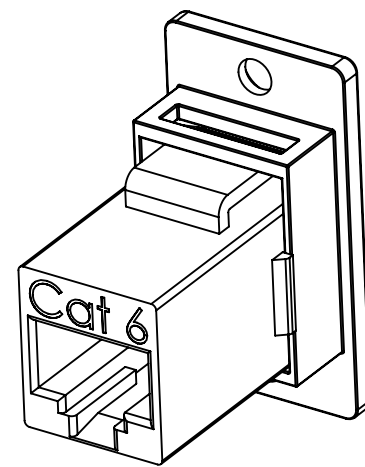
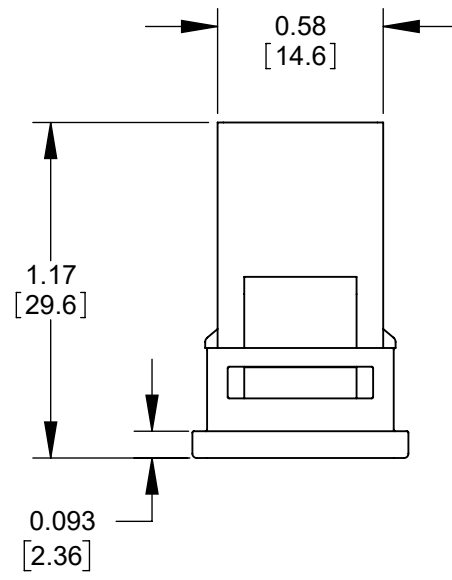
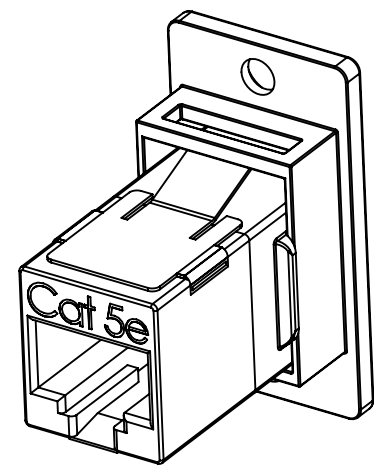
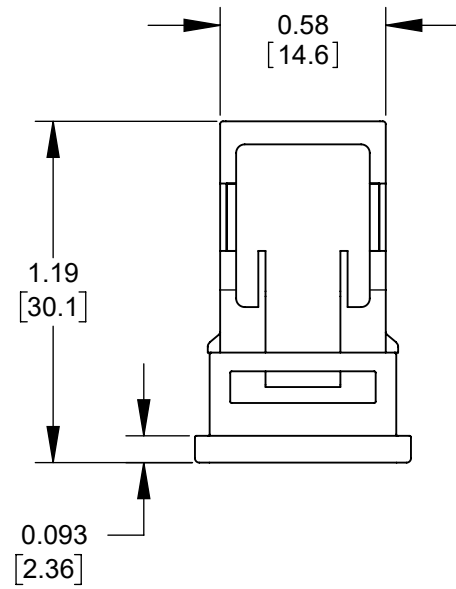
NHRJ45D6S
SHIELDED



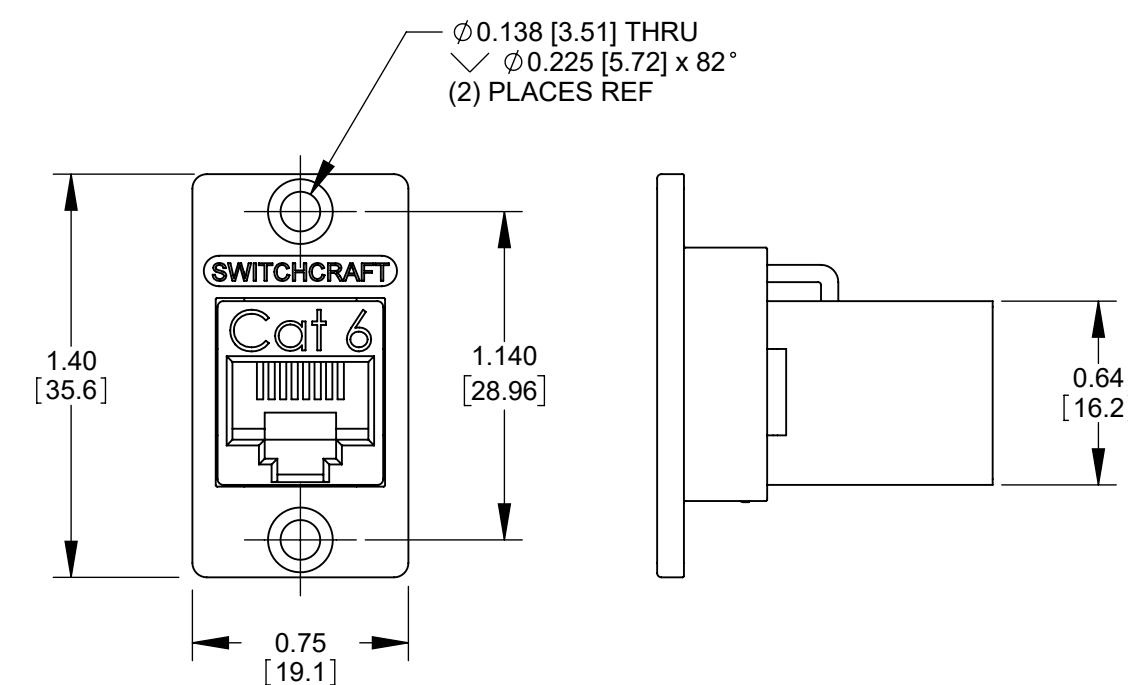
NHRJ45D6AB
UNSHIELDED



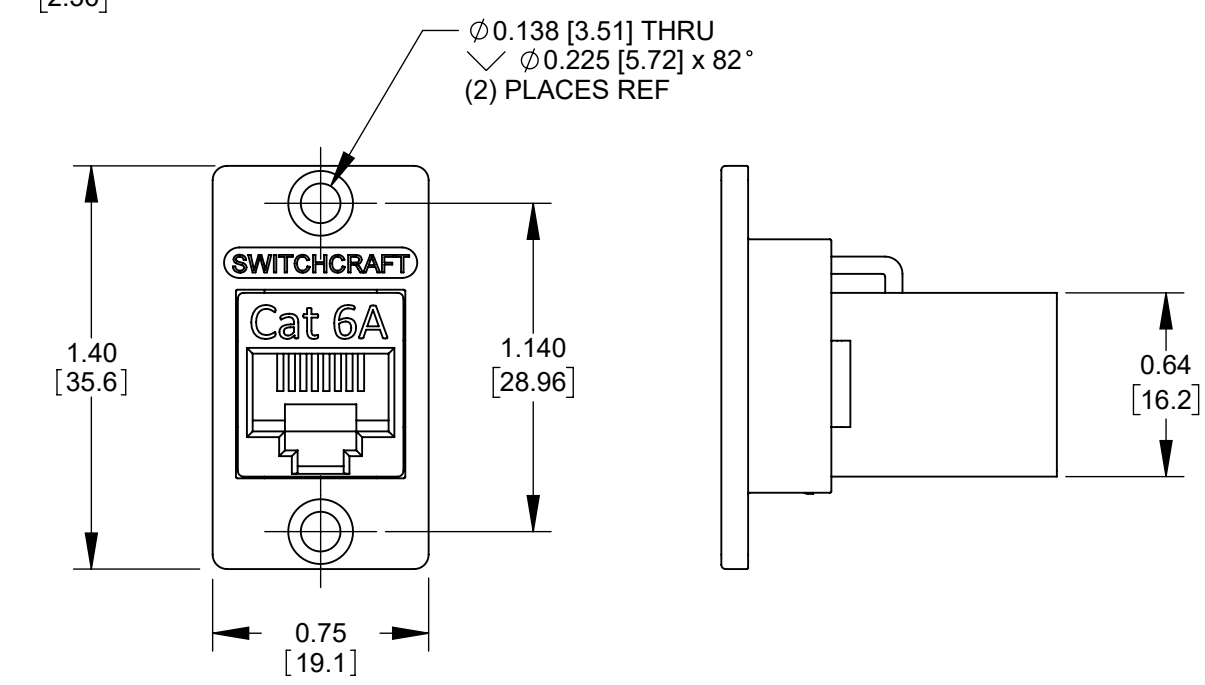
NHRJ45D6AS
SHIELDED



NHRJ45D5EB - UNSHIELDED
NHRJ45D5ES - SHIELDED (SHOWN)



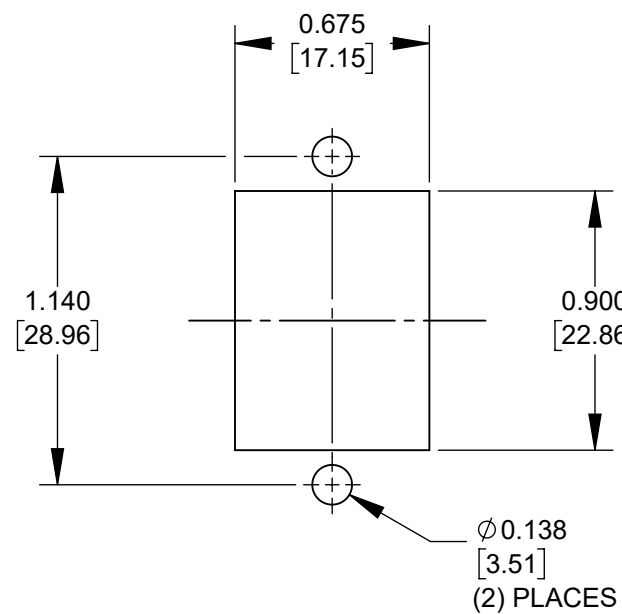
NHRJ45D6B - UNSHIELDED (SHOWN)
NHRJ45D6S - SHIELDED



NHRJ45D6AB - UNSHIELDED (SHOWN)
NHRJ45D6AS - SHIELDED

NOTES:

- ADAPTER MEETS:
CAT5e: TIA/EIA-568-B.2 STANDARD
CAT6: TIA/EIA-568-B.2-1 STANDARD
CAT6A: TIA/ANSI-568-C.2 STANDARD
- MATERIALS:
RJ45 MOUNTING PLATE - ZINC ALLOY, BLACK OR NICKEL PLATED
RJ45 HOUSING - THERMOPLASTIC, BLACK
RJ45 SHIELD - COPPER ALLOY, NICKEL PLATED
- FOR SCREWS TO BE SHIPPED WITH ASSEMBLY, ADD SUFFIX PKG TO PART NUMBER.
- WHEN MOUNTING ASSEMBLY, USE A SCREW TORQUE OF 10 INCH-LBS MAXIMUM.
- THIS PRODUCT IS RoHS COMPLIANT.



**RECOMMENDED
PANEL CUT-OUT**

PART NUMBER	RJ45 ADAPTER
NHRJ45D5EB	CAT5e UNSHIELDED
NHRJ45D5ES	CAT5e SHIELDED
NHRJ45D6B	CAT6 UNSHIELDED
NHRJ45D6S	CAT6 SHIELDED
NHRJ45D6AB	CAT6A UNSHIELDED
NHRJ45D6AS	CAT6A SHIELDED

CUSTOMER DRAWING

UNLESS OTHERWISE SPECIFIED				THIS DRAWING DESCRIBES A DESIGN CONSIDERED PROPRIETARY IN NATURE, DEVELOPED AND MANUFACTURED BY SWITCHCRAFT INC. AND IS RELEASED ON A CONFIDENTIAL BASIS FOR IDENTIFICATION PURPOSES ONLY.			
1. ALL DIMENSIONS IN INCHES [mm]		SIZE	WIDTH	MULT	LBS/M	TEMPER	
- TWO PLACE DECIMALS ±0.02 [0.5]		FINISH SPEC No.		MATERIAL SPEC No.			
- THREE PLACE DECIMALS ±0.005 [0.13]		FIRST USED ON		SCALE 1.5:1			
DATE DRAWN	BY	CHKD	APVD	Switchcraft®			
7/30/21	NS	7/30/21	7/30/21				
NAME				SHEET 1 OF 1			
NH SERIES				PART No.		REV	
RJ45 ADAPTER, RoHS				NHRJ45D SERIES		A	
REVISIONS				DO NOT SCALE DRAWING			
REV	ECO NUMBER	DATE	BY	APVD			
A	28424	09/02/21	PC	TJK			

X-ON Electronics

Largest Supplier of Electrical and Electronic Components

Click to view similar products for [Modular Connectors / Ethernet Connectors](#) category:

Click to view products by [Switchcraft](#) manufacturer:

Other Similar products are found below :

[8949-H88/06BLKA/SN](#) [74441-0010/BKN](#) [PHP-6P6C-5](#) [GAX-3-66](#) [GAX-8-62](#) [GDCX-PN-66](#) [GLX-A-44](#) [GLX-N-1010M-BLK](#) [GMX-SMT4-N-88](#) [GSGX-N-2-88](#) [GSGX-N-4-88](#) [GSX-NS2-88-3.05](#) [GSX-NS-88-3.68](#) [PT-108A-8C-UL](#) [PTS-J531-8CS-50UL](#) [A-2014-0-4](#)
[GWLX-S9-88-YG](#) [DC-1021-8-WH-6](#) [1300530003](#) [1324640-4](#) [RJ11FTVC2G](#) [RJ11FTVC2N](#) [RJFTVX2SA1G](#) [132764-001](#) [1413235](#)
[MPS88RX-5000](#) [E5288-S000K3-L](#) [155302-001](#) [AX101050](#) [AX101063](#) [AX101065](#) [AX101072](#) [AX101307](#) [AX101315](#) [AX101318](#)
[AX102271](#) [AX102288](#) [AX102651](#) [AX102660](#) [J0012D21NL](#) [J0026D01ENL](#) [PC4D0018P](#) [8949-B88/6](#) [2-6609208-5](#) [937-SP-3088-2PC-A192](#)
[303066VFL](#) [303068V](#) [303088LFLSA](#) [303088SBL](#) [30-8603](#)