

PCS TERMINAL OPTION
PCB LAYOUT - COMPONENT SIDE

TERMINAL FINISH OPTIONS: **11** **X** R6HS COMPLIANT

NL - "N" INSULATING, MOLDED NYLON BUSHING
"L" 0.375 LONG BUSHING

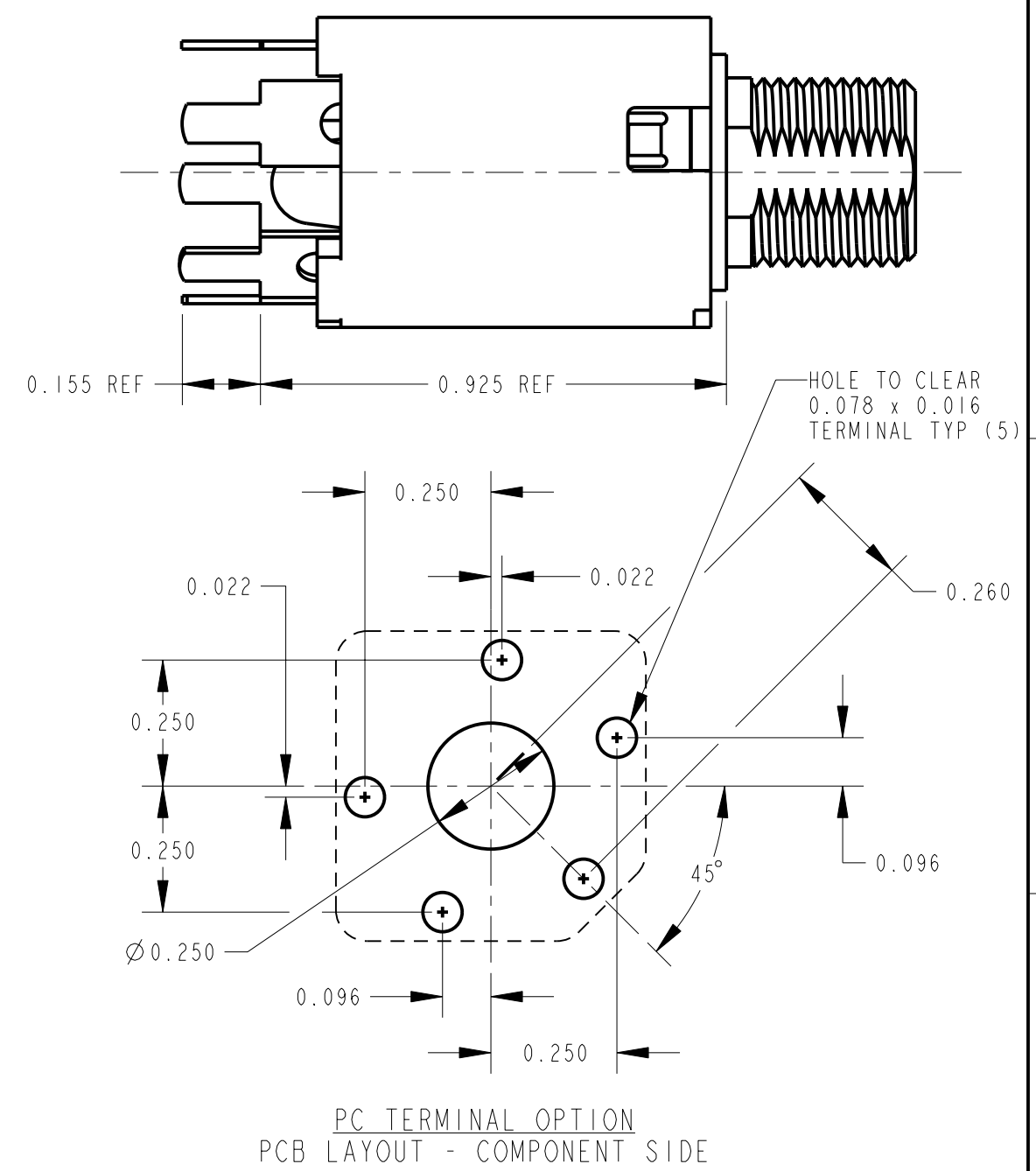
MNL - "M" GOLD PLATED SPRINGS WITH GOLD CONTACTS ON RING SPRINGS AND SHUNT SPRINGS (WHEN SHUNTS ARE USED)

"N" INSULATING, MOLDED NYLON BUSHING
"L" 0.375 LONG BUSHING

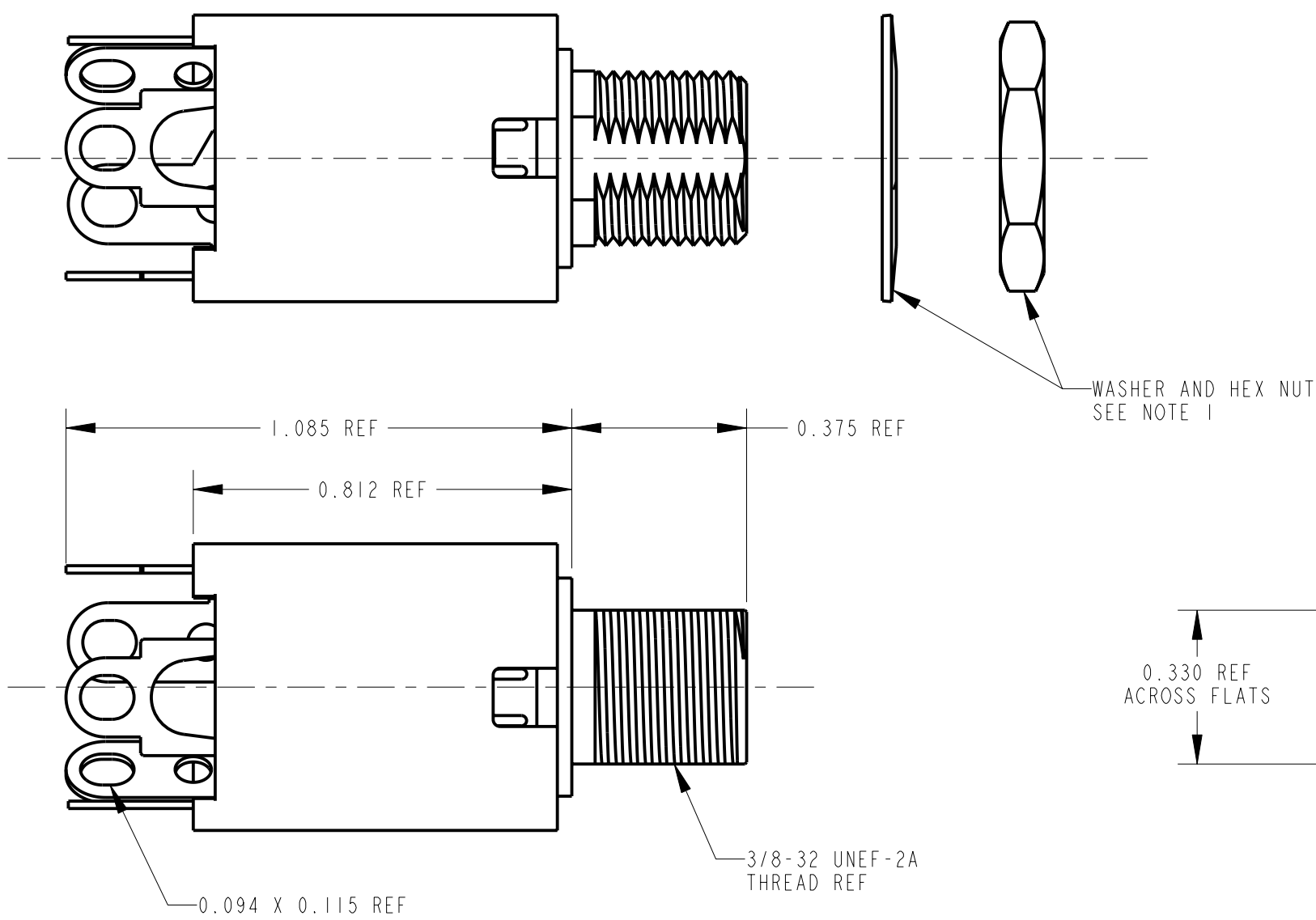
TERMINAL OPTIONS:
BLANK - SOLDER TERMINAL
PC - 0.078 WIDE PC TAILS
PCS - SNAP-IN PC TAILS

CIRCUITRY OPTIONS:

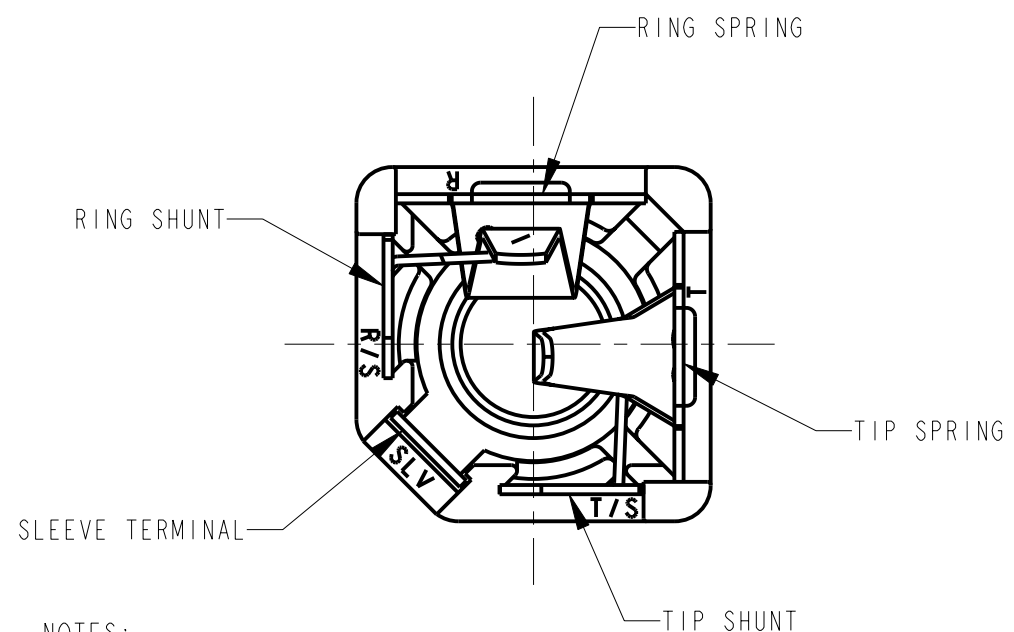
1 - TIP OPEN CIRCUIT	TIP SLEEVE
2A - TIP CLOSED CIRCUIT	TIP SLEEVE
2B - TIP & RING OPEN CIRCUIT	RING TIP SLEEVE
3 - TIP OPEN CIRCUIT AND ISOLATE "MAKE" CIRCUIT	TIP SLEEVE
3B - TIP CLOSED CIRCUIT AND RING OPEN CIRCUIT (I-C TRANSFER)	RING TIP SLEEVE
3D - I TIP CLOSED CIRCUIT AND I TIP OPEN CIRCUIT	TIP SLEEVE
3E - TIP OPEN CIRCUIT AND ISOLATED "BREAK" CIRCUIT	TIP SLEEVE
3F - TIP OPEN CIRCUIT AND RING CLOSED CIRCUIT	RING TIP SLEEVE
4B - TIP & RING CLOSED CIRCUIT	RING TIP SLEEVE



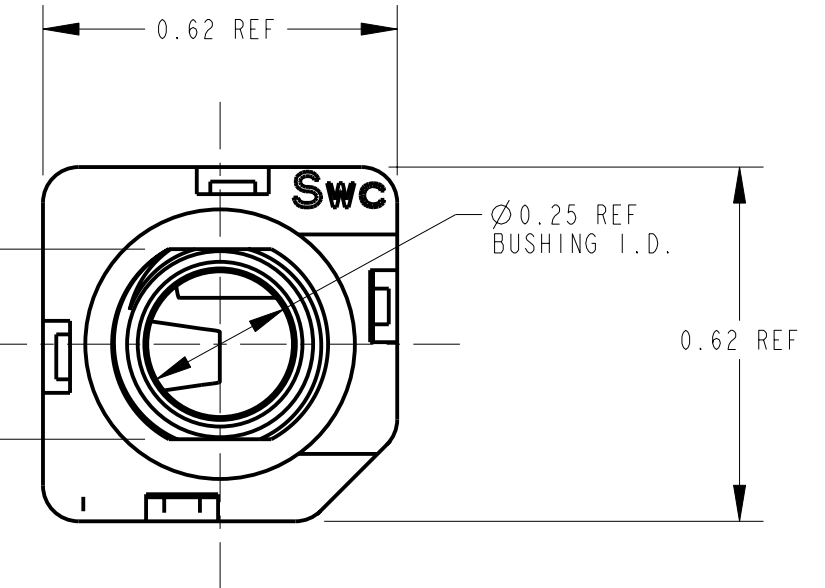
PC TERMINAL OPTION
PCB LAYOUT - COMPONENT SIDE



SOLDER TERMINAL OPTION



- NOTES:
- HARDWARE SHIPPED UNASSEMBLED.
 - MAXIMUM PANEL THICKNESS: 0.25
 - MATERIALS:
HOUSING - POLYESTER GLASS FILLED, BLACK
BUSHING - THERMOPLASTIC, BLACK WITH BRASS, NICKEL PLATED SLEEVE
SLEEVE TERMINAL - BRASS, LEAD FREE ELECTRO-TIN PLATED
SPRINGS - NICKEL SILVER, LEAD FREE ELECTRO-TIN PLATED
LIFTERS - NYLON (113 & 113E CIRCUIT OPTIONS)
WASHER - STEEL, NICKEL PLATED
NUT - BRASS, NICKEL PLATED
 - THIS PRODUCT IS R6HS COMPLIANT.



CUSTOMER DRAWING

<p>★ STAR SYMBOL DENOTES CRITICAL DIMENSION</p> <p>UNLESS OTHERWISE SPECIFIED</p> <p>1. ALL DIMENSIONS IN INCHES - TWO PLACE DECIMALS ±0.01 - THREE PLACE DECIMALS ±0.005 - ANGLES ±1° - ALL DIA. CONCENTRIC WITHIN 0.005 T.I.R.</p> <p>2. FEATURES ON THE SAME CENTERLINE MUST BE ALIGNED WITHIN ±0.002</p> <p>3. REMOVE ALL BURRS</p> <p>DO NOT SCALE DRAWING</p>					<p>THIS DRAWING DESCRIBES A DESIGN CONSIDERED PROPRIETARY IN NATURE, DEVELOPED AND MANUFACTURED BY SWITCHCRAFT INC. AND IS RELEASED ON A CONFIDENTIAL BASIS FOR IDENTIFICATION PURPOSES ONLY.</p> <table border="1"> <tr> <td>SIZE</td> <td>WIDTH</td> <td>MULT</td> <td>LBS/M</td> <td>TEMPER</td> </tr> <tr> <td colspan="2">FINISH</td> <td colspan="3">MATERIAL</td> </tr> <tr> <td colspan="2">SPEC No.</td> <td colspan="3">SPEC No.</td> </tr> <tr> <td colspan="2">FIRST USED ON</td> <td colspan="3">SCALE</td> </tr> <tr> <td>DATE DRAWN</td> <td>BY</td> <td>CHKD</td> <td>APVD</td> <td></td> </tr> <tr> <td>17-Jul-08</td> <td>TJK</td> <td>TJK</td> <td>TJK</td> <td></td> </tr> <tr> <td colspan="2"></td> <td>7-17-08</td> <td>7-17-08</td> <td></td> </tr> <tr> <td colspan="4">NAME</td> <td>PART No.</td> </tr> <tr> <td colspan="4">#3/8-32, LONG INSULATED BUSHING Ø0.25 I.D. HI-D JACK ASSY, R6HS</td> <td>NL110X SERIES</td> </tr> <tr> <td colspan="4"></td> <td>MNL110X SERIES</td> </tr> <tr> <td colspan="4"></td> <td>REV</td> </tr> <tr> <td colspan="4"></td> <td>A</td> </tr> </table>					SIZE	WIDTH	MULT	LBS/M	TEMPER	FINISH		MATERIAL			SPEC No.		SPEC No.			FIRST USED ON		SCALE			DATE DRAWN	BY	CHKD	APVD		17-Jul-08	TJK	TJK	TJK				7-17-08	7-17-08		NAME				PART No.	#3/8-32, LONG INSULATED BUSHING Ø0.25 I.D. HI-D JACK ASSY, R6HS				NL110X SERIES					MNL110X SERIES					REV					A
SIZE	WIDTH	MULT	LBS/M	TEMPER																																																																	
FINISH		MATERIAL																																																																			
SPEC No.		SPEC No.																																																																			
FIRST USED ON		SCALE																																																																			
DATE DRAWN	BY	CHKD	APVD																																																																		
17-Jul-08	TJK	TJK	TJK																																																																		
		7-17-08	7-17-08																																																																		
NAME				PART No.																																																																	
#3/8-32, LONG INSULATED BUSHING Ø0.25 I.D. HI-D JACK ASSY, R6HS				NL110X SERIES																																																																	
				MNL110X SERIES																																																																	
				REV																																																																	
				A																																																																	
<table border="1"> <tr> <td>REV</td> <td>ECO NUMBER</td> <td>DATE</td> <td>BY</td> <td>APVD</td> </tr> <tr> <td></td> <td></td> <td></td> <td></td> <td></td> </tr> </table>					REV	ECO NUMBER	DATE	BY	APVD						<p>Switchcraft®</p> <p>SHEET OF </p>																																																						
REV	ECO NUMBER	DATE	BY	APVD																																																																	

X-ON Electronics

Largest Supplier of Electrical and Electronic Components

Click to view similar products for [Phone Connectors](#) category:

Click to view products by [Switchcraft](#) manufacturer:

Other Similar products are found below :

[M444B](#) [6J1041A](#) [R4F](#) [128PKG](#) [RJ3VI](#) [RJ3VI-S](#) [RJ5VI](#) [E12BPKG](#) [ECP4PKG](#) [161-3300N-EX](#) [161-3502L-E](#) [161-7900HS-EX](#) [163-157J-E](#)
[MT333X](#) [171-0350-EX](#) [171-105AC-EX](#) [171-3325-EX](#) [171-6435-EX](#) [176S](#) [NC3MG-V](#) [NMJ4HFD2-NW](#) [NP2RX-AU-SILENT-D](#) [NP2X-L-](#)
[D](#) [NRJ4HH-1](#) [NS112BX](#) [NYS228G](#) [NYS352AG](#) [P10834](#) [P2380](#) [P2381X](#) [P2411X](#) [P2412](#) [P2724](#) [9144](#) [S2674](#) [163-156N-2-E](#) [163-158N-2-](#)
[E](#) [171-0250-EX](#) [171-3308-EX](#) [171-3500-E](#) [171-PA3191-2-E](#) [ST-3141-5N](#) [229](#) [2501FT](#) [CMT335](#) [M10662](#) [330Q](#) [RJ5VI-S](#) [40116](#) [TM1R-](#)
[AU](#)