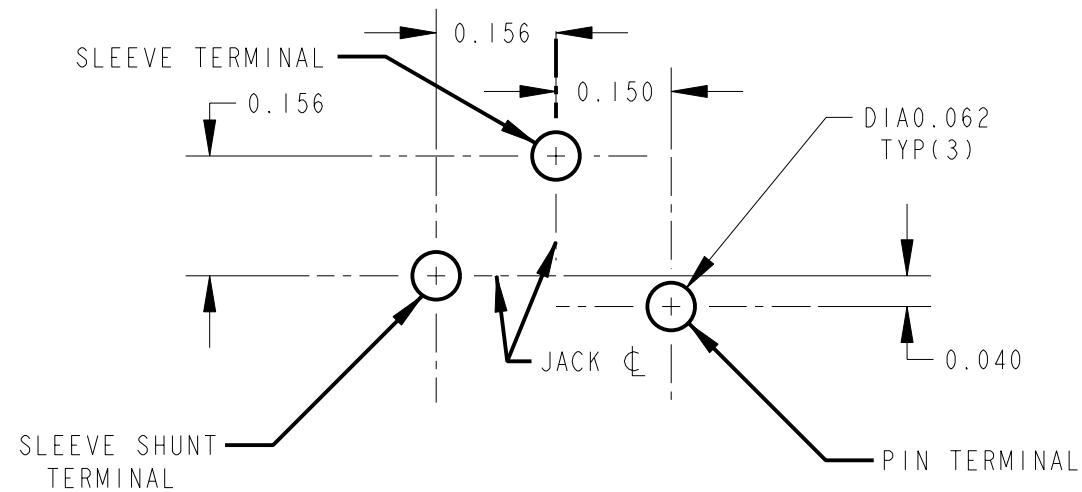


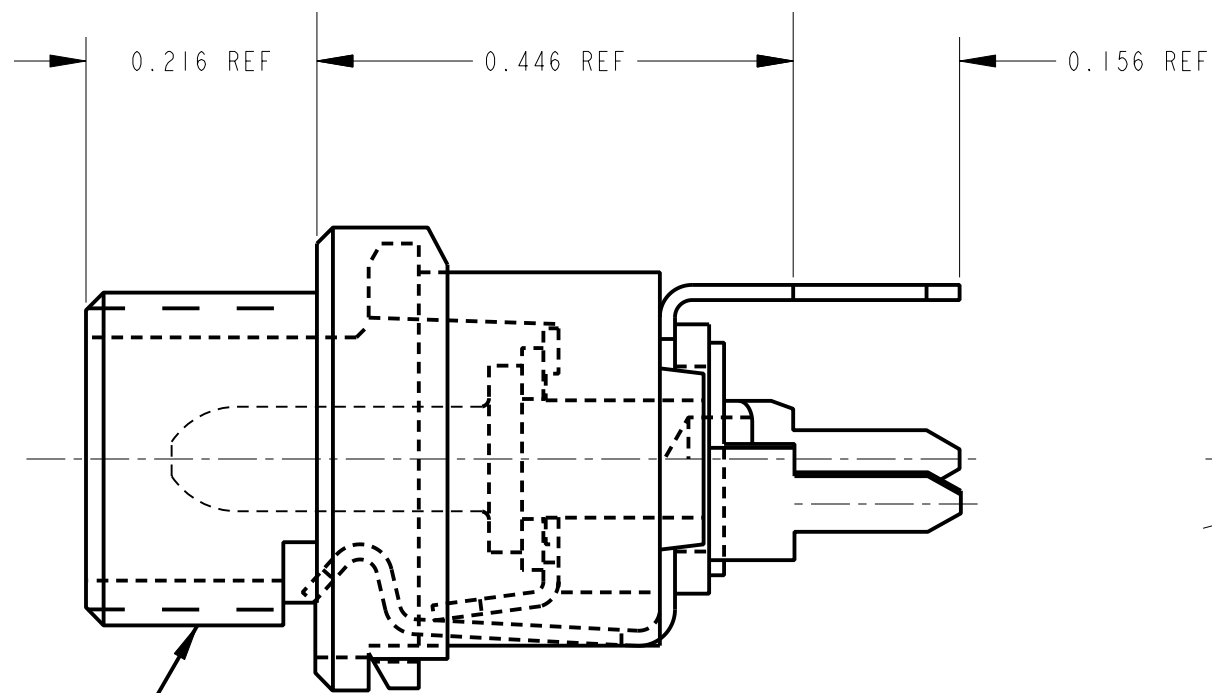
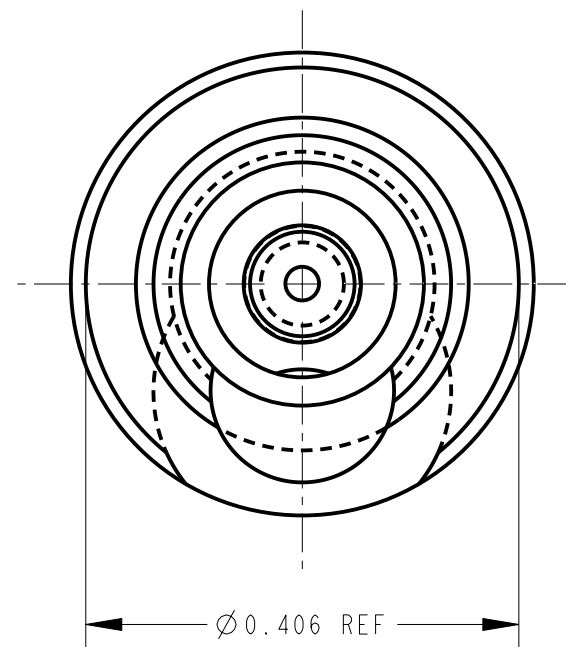
MATERIALS

- BUSHING - COPPER ALLOY, NICKEL PLATED
- PIN TERMINALS - COPPER ALLOY, SILVER PLATED
- WASHERS - GLASS EPOXY
- PIN - COPPER ALLOY, SILVER PLATED
- HOUSING - BLACK THERMOPLASTIC, UL94V-0
- SLEEVE SHUNT - BERYLLIUM COPPER, SILVER PLATED

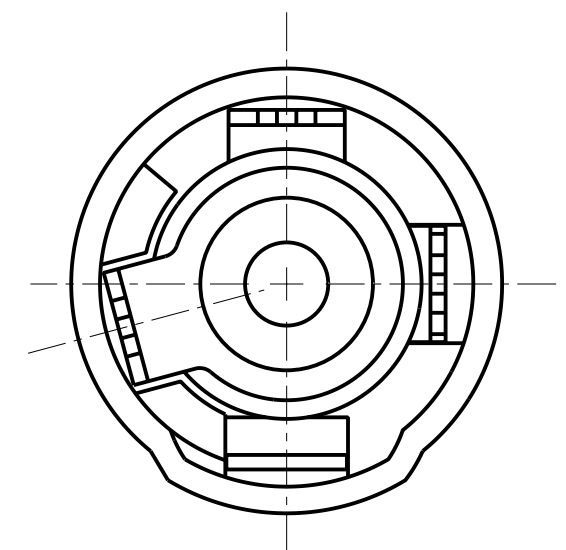


PC BOARD LAYOUT

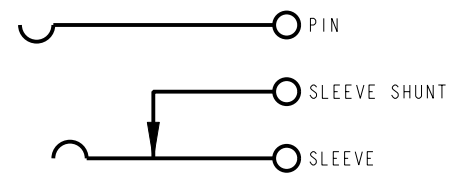
SCALE: 1 = 0.250  
COMPONENT SIDE



5/16-32 NEF 2A  
THREAD REF



CUSTOMER DRAWING  
CAD/CAM DWG. NO.  
PC712A\_CD  
SHEET 1 OF 1



CIRCUIT DIAGRAM

G	ECO #22992	9-7--99	JL	DK	★ STAR SYMBOL DENOTES CRITICAL DIMENSION, SEE S/C ENGINEERING STANDARD ES-0001	THIS DRAWING DESCRIBES A DESIGN CONSIDERED PROPRIETARY IN NATURE, DEVELOPED AND MANUFACTURED BY SWITCHCRAFT INC. AND IS RELEASED ON A CONFIDENTIAL BASIS FOR IDENTIFICATION PURPOSE ONLY.			
F	ECO #20056	9-8-95	DA	TAO					
UNLESS OTHERWISE SPECIFIED					SIZE	WIDTH	MULT	LBS./M	TEMPER
E	ECO #20054	9-8-95	DA	TAO	1. ALL DIMENSIONS IN INCHES TWO PLACE DECIMAL ±.01 THREE PLACE DECIMAL ±.005 ANGLES ±0.5°		FINISH		MATERIAL
D	ECO #20052	9-8-95	DA	TAO	ALL DIA'S CONCENTRIC WITHIN .005 T.I.R.		SPEC. NO.		SPEC. NO.
C	ECO #20050	9-8-95	DA	TAO	2. REMOVE ALL BURRS		FIRST USED ON		SCALE
B	ECO #19704	3-24-95	RC	GHJ	3. MAKE NO DIMENSIONAL ALLOWANCES FOR APPLIED FINISHES, I.E., PLATING, PAINTING, ETC.		DATE DRAWN		BY
A	FIRST DRAWN	8-21-93	LR	GHJ	4. HOLES ON THE SAME CENTERLINE MUST BE ALIGNED WITHIN ±.002		8-21-93		LR
ISSUE	CHANGE NO.	DATE	BY	APP'D	NAME		POWER JAX		ISSUE
REVISIONS					DO NOT SCALE DRAWING				
					NAME		PART NO.		ISSUE
					POWER JAX		PC712A		G

**Switchcraft®**

## X-ON Electronics

Largest Supplier of Electrical and Electronic Components

*Click to view similar products for [DC Power Connectors](#) category:*

*Click to view products by [Switchcraft](#) manufacturer:*

Other Similar products are found below :

[RAPC3FG](#) [B04P-VL-VN-1.8](#) [1600206-1](#) [163-0302](#) [163-0310-EX](#) [163-4024](#) [163-4117-EX](#) [163-5005-E](#) [163-7421](#) [171-0721-EX](#) [171-3118-EX](#) [173-23507-ST-EX](#) [KLDVX-SMT-02-ATR](#) [KLDX-SMT-0202-BP](#) [KLDX-SMT-0202-BPTR](#) [163-0179-EX](#) [163-0307-E](#) [163-4119-E](#) [171-0722-E](#) [171-3218-EX](#) [171-7391](#) [173-3413-ST-EX](#) [RAPCBRK](#) [K596](#) [KLD-0201-BC](#) [KLDVX-SMT-02-BTR](#) [KPPX-D](#) [TPCF-140-01-L-Q-4-RA](#) [RAPC3MHG](#) [RASM752TRX](#) [163-4800-E](#) [4C6831AX](#) [TS3PNJ](#) [DC-025LM-5A-2.5](#) [CL14218R](#) [AS250F RED](#) [DC-105-4A-1.6](#) [09441 AS120-F](#) [09442 AS120-M](#) [CP30240](#) [TAMIYA-M](#) [TAMIYA-MT1](#) [TAMIYA-MT2](#) [4840.1200](#) [4840.2202](#) [C5080HI-04P-18 + C5080HI-C](#) [JC-138](#) [JPO-25 \(FC6814\)](#) [JYO-26 \(FC6811\)](#) [JYO-29 \(FC68102\)](#)