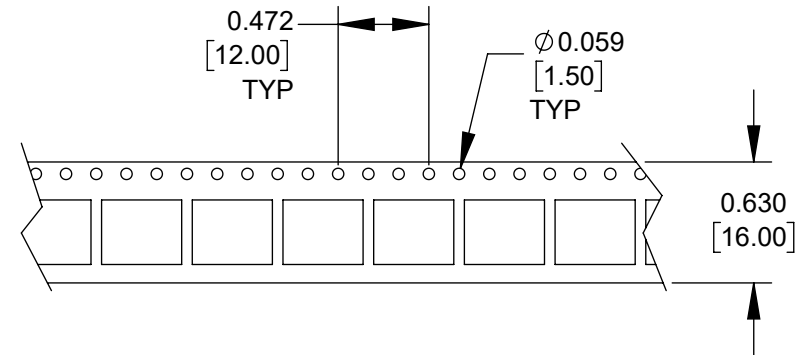
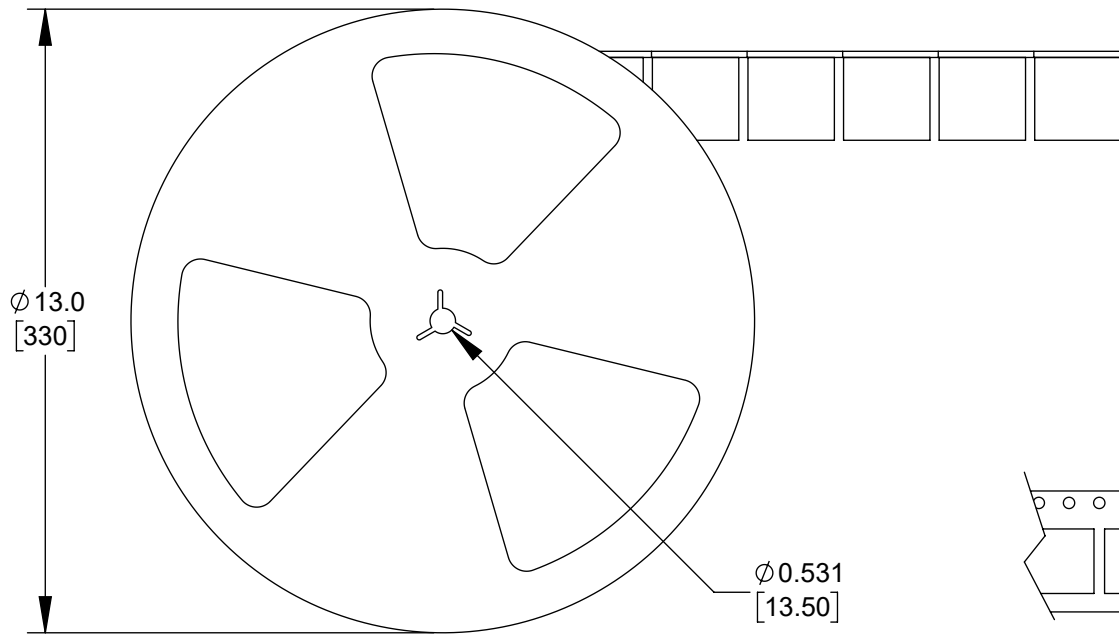


- NOTES:**
- MATERIALS:**
HOUSING - THERMOPLASTIC, BLACK
SHELL - STAINLESS STEEL, TIN PLATED
TERMINALS - COPPER ALLOY, GOLD PLATED
 - ELECTRICAL CHARACTERISTICS:**
CONTACT RESISTANCE - 30m OHM MAX
INSULATION RESISTANCE - 1000M OHM MIN @ 100V DC
CURRENT RATING - 1.0A MAX
DIELECTRIC WITHSTAND VOLTAGE - 500V AC FOR 1 MINUTE
 - OPERATING TEMPERATURE:** -25°C TO +105°C
 - THIS PART IS RoHS COMPLIANT**

CUSTOMER DRAWING

					THIS DRAWING DESCRIBES A DESIGN CONSIDERED PROPRIETARY IN NATURE, DEVELOPED AND MANUFACTURED BY SWITCHCRAFT INC. AND IS RELEASED ON A CONFIDENTIAL BASIS FOR IDENTIFICATION PURPOSES ONLY.				
					SIZE	WIDTH	MULT	LBS/M	TEMPER
					FINISH SPEC No.			MATERIAL SPEC No.	
					FIRST USED ON			SCALE 8:1	
A	28548	10/26/22	PC	TJK	DATE DRAWN	BY	CHKD	APVD	
					08/26/22	TS	10/18/22	10/18/22	
REVISIONS					NAME VERTICAL MICRO USB TYPE-B 2.0, RoHS				
DO NOT SCALE DRAWING					PART No. PCMB20AUETR				
					SHEET 1 OF 2				
					REV A				



NOTES:

1. REEL BEGINS AND ENDS WITH APPROXIMATELY 15 EMPTY CAVITIES.
2. EACH REEL TO HOLD 1,500 PARTS TOTAL.
3. EACH BOX CONTAINS 7 REELS TOTAL FOR 10,500 PARTS PER BOX.
4. THIS PART IS RoHS COMPLIANT.

CUSTOMER DRAWING

					THIS DRAWING DESCRIBES A DESIGN CONSIDERED PROPRIETARY IN NATURE, DEVELOPED AND MANUFACTURED BY SWITCHCRAFT INC. AND IS RELEASED ON A CONFIDENTIAL BASIS FOR IDENTIFICATION PURPOSES ONLY.				
					SIZE	WIDTH	MULT	LBS/M	TEMPER
					UNLESS OTHERWISE SPECIFIED			FINISH	
					1. ALL DIMENSIONS IN INCHES [mm]			MATERIAL	
					- TWO PLACE DECIMALS ± 0.02 [0.5]			SPEC No.	
					- THREE PLACE DECIMALS ± 0.008 [0.20]			SCALE	
					FIRST USED ON			1:4	
					DATE DRAWN	BY	CHKD	APVD	Switchcraft [®]
					08/30/22	TS	TS	TS	
					NAME			PART No.	
					VERTICAL MICRO USB			PCMB20AUETR	
					TYPE-B 2.0, RoHS			REV	
					DO NOT SCALE DRAWING			A	
REVISIONS									
A	28548	10/26/22	PC	TJK					
REV	ECO NUMBER	DATE	BY	APVD					



X-ON Electronics

Largest Supplier of Electrical and Electronic Components

Click to view similar products for [USB Connectors](#) category:

Click to view products by [Switchcraft](#) manufacturer:

Other Similar products are found below :

[950](#) [A-USB A-LP-SMT-C](#) [A-USB B-TOP-C](#) [MUSBD11135](#) [17-200721](#) [217450-1](#) [KMBVX-TH-5S-B30](#) [KUSBX-AS2N-W](#) [KUSBX-SMT2AP1S-W30](#) [935](#) [957](#) [30-498-6](#) [SK-60A-2](#) [1734082-1](#) [30-470](#) [30-489](#) [30-541](#) [MIKROE-1451](#) [USBFTVSCCG](#) [1-1734084-2](#)
[10135326-001LF](#) [USB3FTV7APEG](#) [4198](#) [1310-1023-02](#) [690-024-633-031](#) [UB-20PMFP-LC7001](#) [17-200011](#) [UB-20AFMM-LL7A01](#)
[1040870124](#) [CAP-WCCMLPB1](#) [2274475-3](#) [UB-20BMFA-SL8001](#) [UB-20BFM-SA7A02](#) [UB-20BFM-SA7A05](#) [914-614A2025S10200](#)
[MUSBR-AHD2-M41-SK](#) [ZX40-B-5S-1500-STDA\(30\)](#) [GSB3116344HR](#) [USB3FTV2SAZNF459](#) [USBF21GSCC](#) [U221-041N-1WVS62-F5D](#)
[HYCW153-USBD05-500B](#) [HYCW219-USBD05-075B](#) [HYCW148-USBD05-117B](#) [HYCW149-USBD05-740B](#) [HYCW204-USBD05-108B](#)
[HYCW214-USBA04-113B](#) [HYCW213-USBA04-113B](#) [UB-20AMFM-SL7A01](#) [KMMX-BSMT35S-1-B30TR](#)