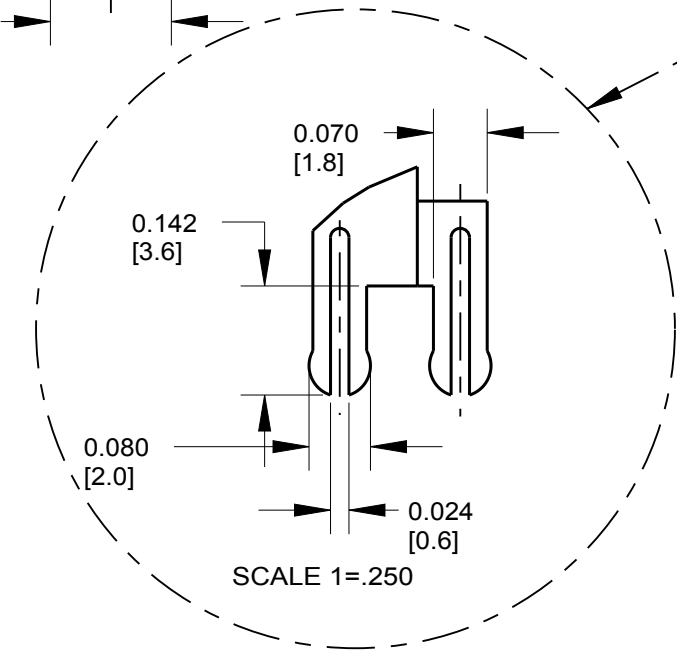
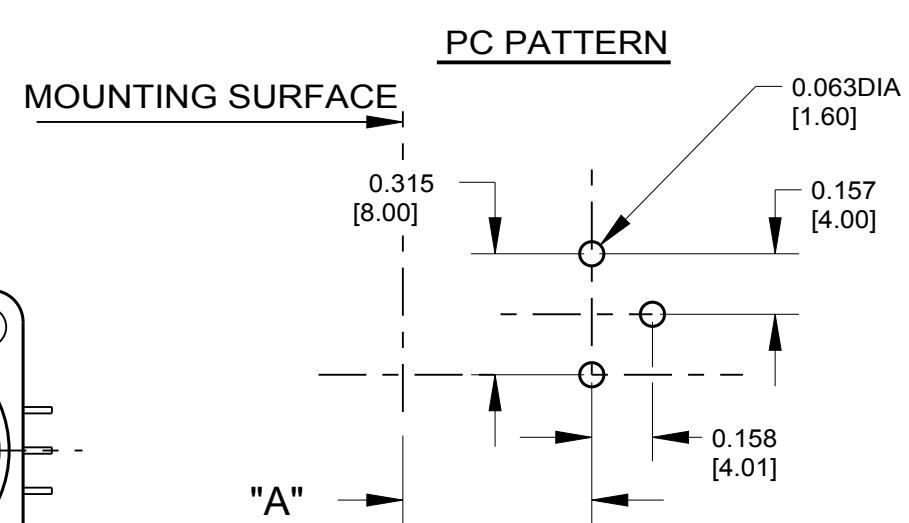
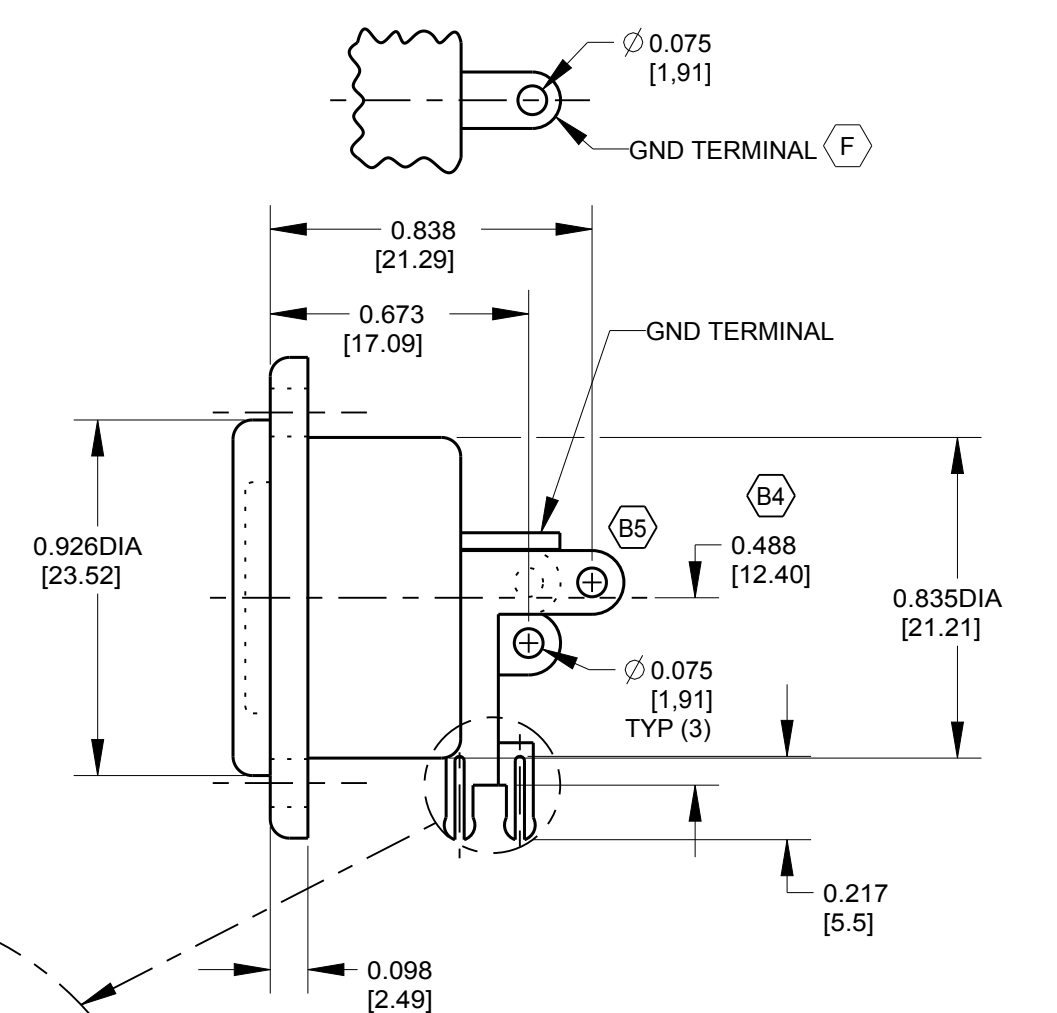


CHART			
PART NUMBER	DESCRIPTION	FIGURE	DIMENSION "A"
PD3FRA1	FRONT MOUNT BOTTOM EXIT	FIGURE A	0.394
PD3FRA2	REAR MOUNT BOTTOM EXIT	FIGURE B	0.492
PD3FRA3	FRONT MOUNT BOTTOM EXIT	FIGURE J	0.394
PD3FRU1	FRONT MOUNT TOP EXIT	FIGURE C	0.394
PD3FRU2	REAR MOUNT TOP EXIT	FIGURE D	0.492
PD3FRU3	FRONT MOUNT TOP EXIT	FIGURE K	0.394
PD3FRL1	FRONT MOUNT LEFT EXIT	FIGURE E	0.394
PD3FRL2	REAR MOUNT LEFT EXIT	FIGURE F	0.492
PD3FRL3	FRONT MOUNT LEFT EXIT	FIGURE L	0.394
PD3FRR1	FRONT MOUNT RIGHT EXIT	FIGURE G	0.394
PD3FRR2	REAR MOUNT RIGHT EXIT	FIGURE H	0.492
PD3FRR3	FRONT MOUNT RIGHT EXIT	FIGURE M	0.394



**D MATERIALS:**  
 HOUSING: NYLON TYPE 66  
 FEMALE PINS: BRASS, TIN PLATED  
 GROUND LUG: STEEL, TIN PLATED

CUSTOMER DRAWING

DIMENSIONS TYP FOR ALL FIGURES

SHEET 1 OF 1

F ECO#27992 1-24-18 PC TJK E ECO #19433 12-5-94 ES GHJ D ECO#17911 10-27-92 LR GHJ C ECO#17107 9-30-91 LR EAF B ECO#16801 5-3-91 SG GHJ A RELEASED TO PROD 2-15-91 LR GHJ ISSUE CHANGE NO. DATE BY APP'D				STAR SYMBOL DENOTES CRITICAL DIMENSION, SEE S/C ENGINEERING STANDARD ES-001 THIS DRAWING DESCRIBES A DESIGN CONSIDERED PROPRIETARY IN NATURE, DEVELOPED AND MANUFACTURED BY SWITCHCRAFT INC. AND IS RELEASED ON A CONFIDENTIAL BASIS FOR IDENTIFICATION PURPOSE ONLY.			
UNLESS OTHERWISE SPECIFIED 1. ALL DIMENSIONS IN INCHES TWO PLACE DECIMAL THREE PLACE DECIMAL FRACTIONAL DIMENSIONS ANGLES 2 PLACES ALL DIA'S CONCENTRIC WITH ±0.005 T.I.R. 2. REMOVE ALL BURRS 3. MAKE NO DIMENSIONAL ALLOWANCES FOR APPLIED FINISHES (E.G. PLATING, PAINTING, ETC.) 4. HOLES ON CENTERLINE MUST BE ALIGNED WITH ±0.002				FINISH: TYP SPEC. NO.: FIRST USED ON: DATE DRAWN: 2-15-91 BY: LR CHKD: THS 2-25-91 APP'D: GHJ 2-25-91		MATERIAL: NYLON TYPE 66 SPEC. NO.: SCALE: 1 = 0.5 <b>Switchcraft</b> NAME: FEMALE 3 CONTACTS RIGHT Q.G. CONNENCTOR PART NO.: PD3FR SERIES ISSUE: F	
REVISIONS				DO NOT SCALE DRAWING			

SCALE: 1=.750



## X-ON Electronics

Largest Supplier of Electrical and Electronic Components

*Click to view similar products for [XLR Connectors](#) category:*

*Click to view products by [SWITCHCRAFT](#) manufacturer:*

Other Similar products are found below :

[707-0300](#) [A3F01](#) [A3M01](#) [QGP3F](#) [HA16PRM-3SG\(71\)](#) [AA3FL](#) [AAA4FWZ](#) [AAA4MWZ](#) [AC5FPZB](#) [AC6AFDZV](#) [D4FB](#) [DE4MW](#)  
[E3MBAUSW](#) [99.265.0400.0](#) [A3F04](#) [AC3FG](#) [AC4-FCP](#) [AQG4F](#) [2504FP](#) [R6MZ](#) [3FD-V-I-B](#) [3MD-V-I-B](#) [TA01](#) [TA3MWX](#) [TA5MLWX](#)  
[TRASM4M1X](#) [TRASM7M1X](#) [ML1](#) [TS05TS](#) [3FD-L-I-\(O\)](#) [D6FDB](#) [DB25FTRS](#) [DHNF-BAG-MAD](#) [DHNF-BAG-O](#) [DHNM-BAG](#)  
[XLRF05TRS](#) [XLRM05XLRF](#) [XLRM05XLRFB](#) [XLRM10XLRF](#) [E3FBAUSW](#) [E3FSW](#) [E3MSW](#) [SR03](#) [TA4FLWX](#) [TA6FLWX](#)  
[TRAPC8M1X](#) [TRASM6M1X](#) [TRS10TRS](#) [TRSF05XLRM](#) [TRSF10XLRM](#)