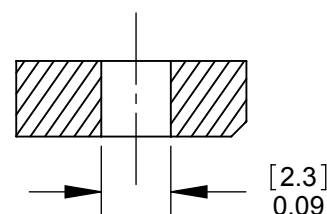
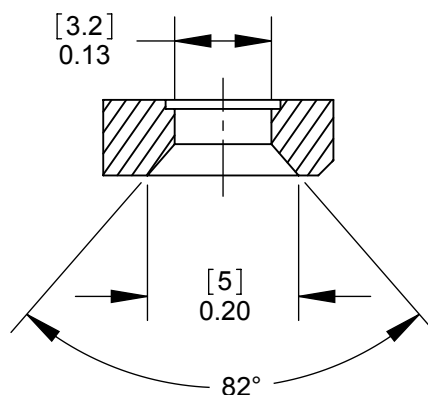


**PD3FSC1
FRONT MOUNT**
SECTION A-A
SCALE 4 : 1



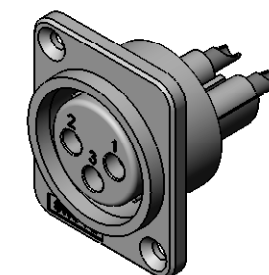
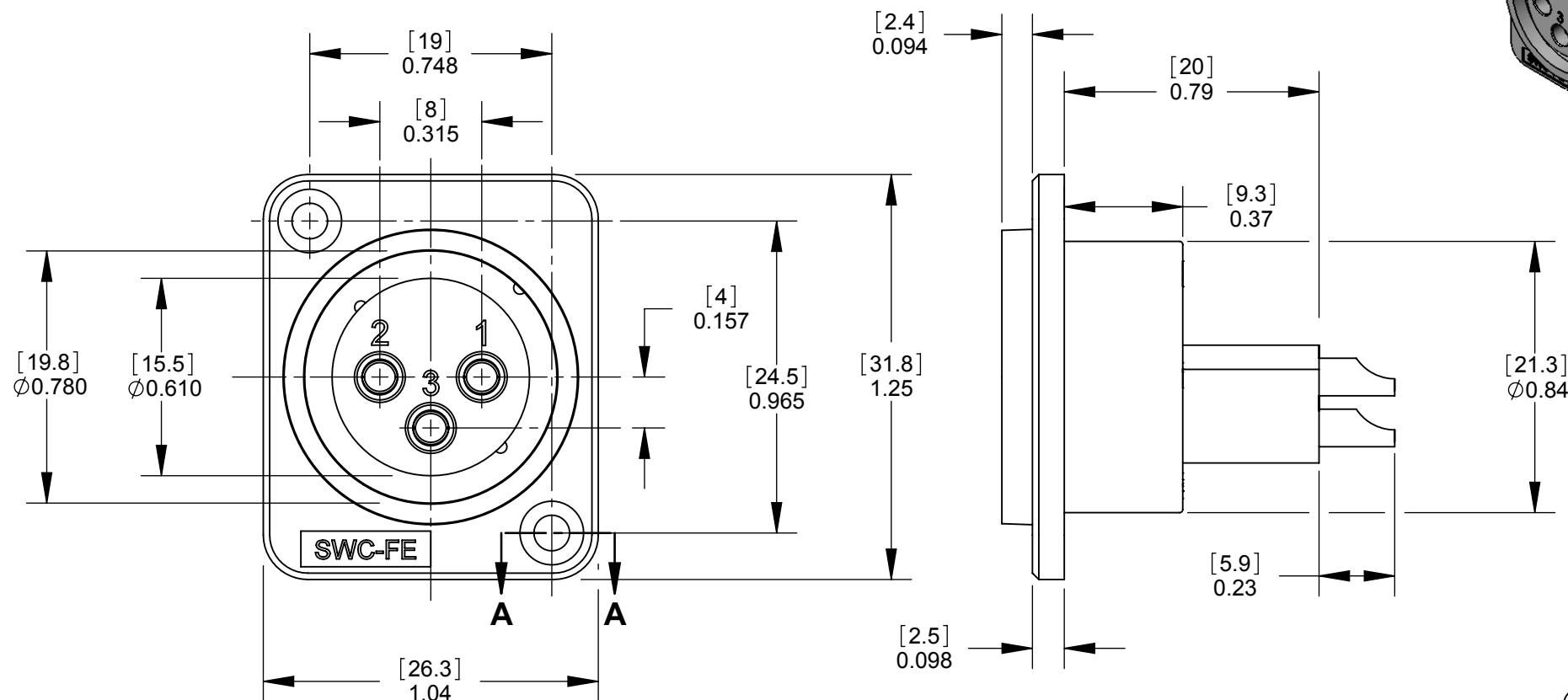
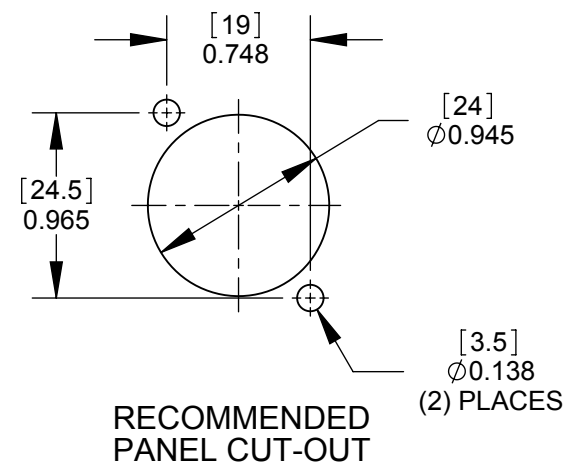
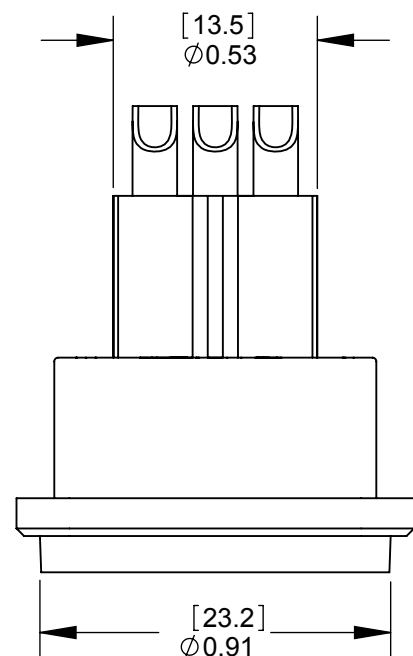
**PD3FSC2
REAR MOUNT**
SECTION A-A
SCALE 4 : 1



**PD3FSC3
FRONT MOUNT**
SECTION A-A
SCALE 4 : 1

NOTES:

1. MATERIALS:
HOUSING - THERMOPLASTIC, BLACK
PINS - COPPER ALLOY (SEE TABLE FOR FINISH)
2. THESE PRODUCTS ARE RoHS COMPLIANT.



PART NUMBER	MOUNTING STYLE SEE SECTION A-A	TERMINAL PLATING
PD3FSC1	FRONT MOUNT	SILVER
PD3FSC2	REAR MOUNT	SILVER
PD3FSC3	FRONT MOUNT	SILVER
PD3FSC1AU	FRONT MOUNT	GOLD
PD3FSC2AU	REAR MOUNT	GOLD
PD3FSC3AU	FRONT MOUNT	GOLD

CUSTOMER DRAWING

REV	ECO NUMBER	DATE	BY	APVD
A	22118	1/14/98	RS	TJK
REVISIONS				

UNLESS OTHERWISE SPECIFIED
1. ALL DIMENSIONS IN INCHES
- TWO PLACE DECIMALS ±0.02
- THREE PLACE DECIMALS ±0.005

DO NOT SCALE DRAWING

THIS DRAWING DESCRIBES A DESIGN CONSIDERED PROPRIETARY IN NATURE, DEVELOPED AND MANUFACTURED BY SWITCHCRAFT INC. AND IS RELEASED ON A CONFIDENTIAL BASIS FOR IDENTIFICATION PURPOSES ONLY.									
SIZE		WIDTH		MULT		LBS/M		TEMPER	
FINISH SPEC No.					MATERIAL SPEC No.				
FIRST USED ON				SCALE 2:1					
DATE DRAWN	BY	CHKD	APVD	Switchcraft®					
4/27/10	RS	RS	TJK	SHEET 1 OF 1					
			4/27/10	4/28/10	PART No. PD3FSC SERIES				REV A
NAME PLASTIC PANEL MOUNT QG CONNECTORS, SOLDERCUP, RoHS									

X-ON Electronics

Largest Supplier of Electrical and Electronic Components

Click to view similar products for [XLR Connectors](#) category:

Click to view products by [Switchcraft](#) manufacturer:

Other Similar products are found below :

[707-0300](#) [A3F01](#) [A3M01](#) [QGP3F](#) [HA16PRM-3SG\(71\)](#) [AA3FL](#) [AAA4FWZ](#) [AAA4MWZ](#) [AC5FPZB](#) [AC6AFDZV](#) [D4FB](#) [DE4MW](#)
[E3MBAUSW](#) [99.265.0400.0](#) [A3F04](#) [AC3FG](#) [AC4-FCP](#) [AQG4F](#) [2504FP](#) [R6MZ](#) [3FD-V-I-B](#) [3MD-V-I-B](#) [TA01](#) [TA3MWX](#) [TA5MLWX](#)
[TRASM4M1X](#) [TRASM7M1X](#) [ML1](#) [TS05TS](#) [3FD-L-I-\(O\)](#) [D6FDB](#) [DB25FTRS](#) [DHNF-BAG-MAD](#) [DHNF-BAG-O](#) [DHNM-BAG](#)
[XLRF05TRS](#) [XLRM05XLRF](#) [XLRM05XLRFB](#) [XLRM10XLRF](#) [E3FBAUSW](#) [E3FSW](#) [E3MSW](#) [SR03](#) [TA4FLWX](#) [TA6FLWX](#)
[TRAPC8M1X](#) [TRASM6M1X](#) [TRS10TRS](#) [TRSF05XLRM](#) [TRSF10XLRM](#)