

CHART				
PART NO.	DESCRIPTION	FIGURE	DIM. "A"	DIM. "B"
PD3MRML1	FRONT MOUNT	FIG A	.867	.600
PD3MRML2	REAR MOUNT	FIG B	.965	.600
PD3MRML3	FRONT MOUNT	FIG C	.867	.600
PD3MRMS1	FRONT MOUNT	FIG A	.867	.488
PD3MRMS2	REAR MOUNT	FIG B	.965	.488
PD3MRMS3	FRONT MOUNT	FIG C	.867	.488

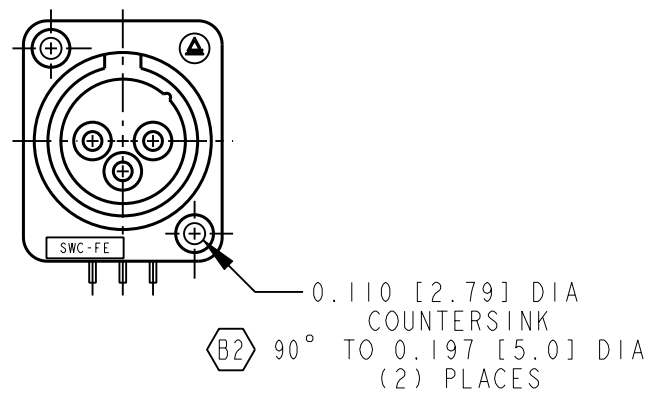


FIG A

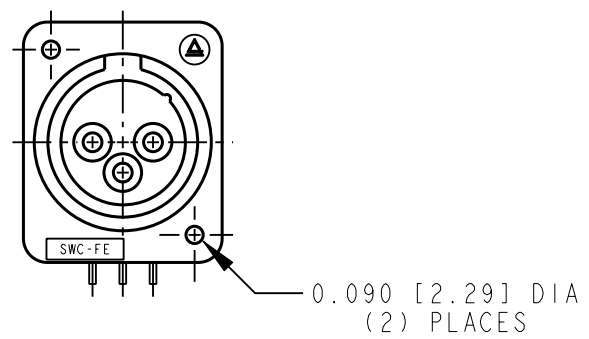


FIG B

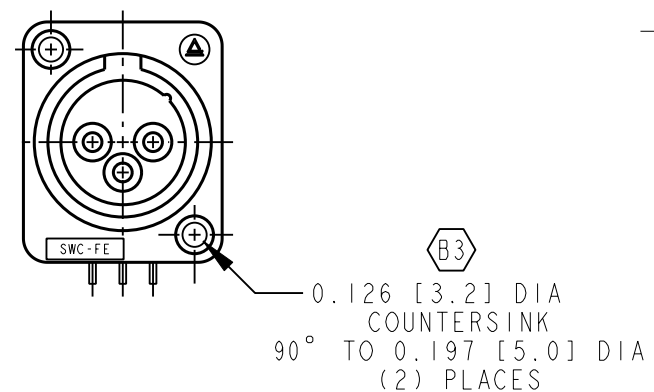
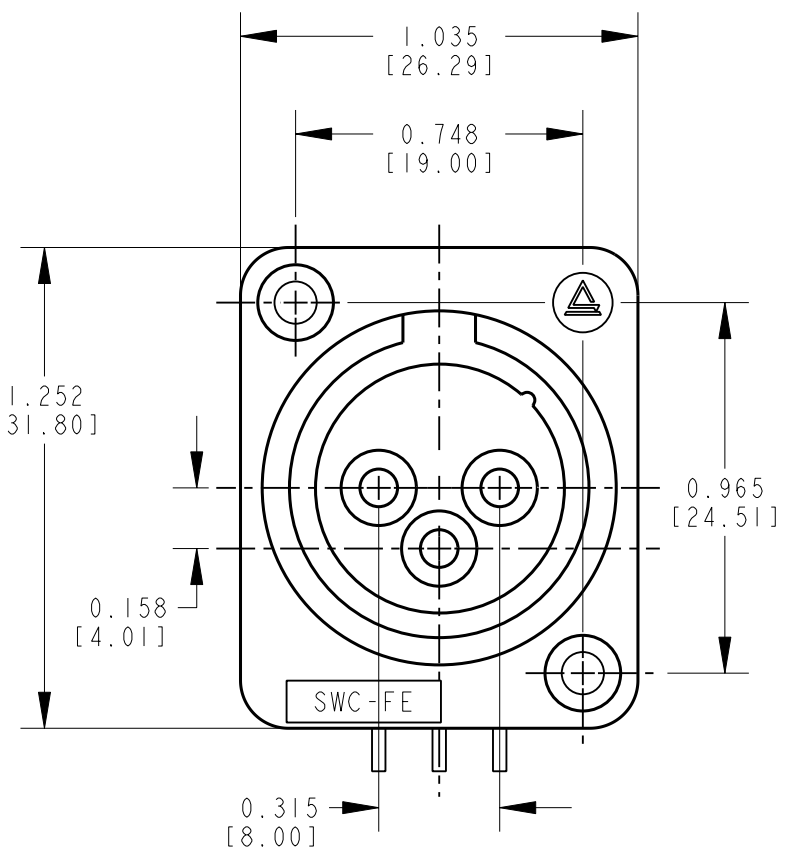
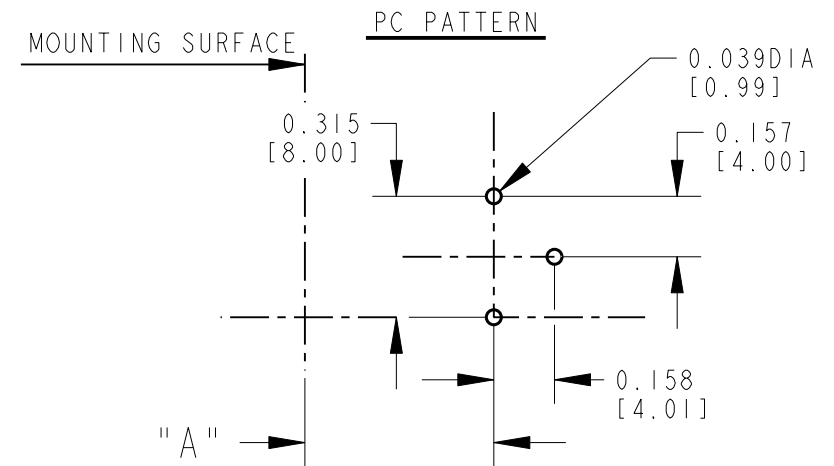
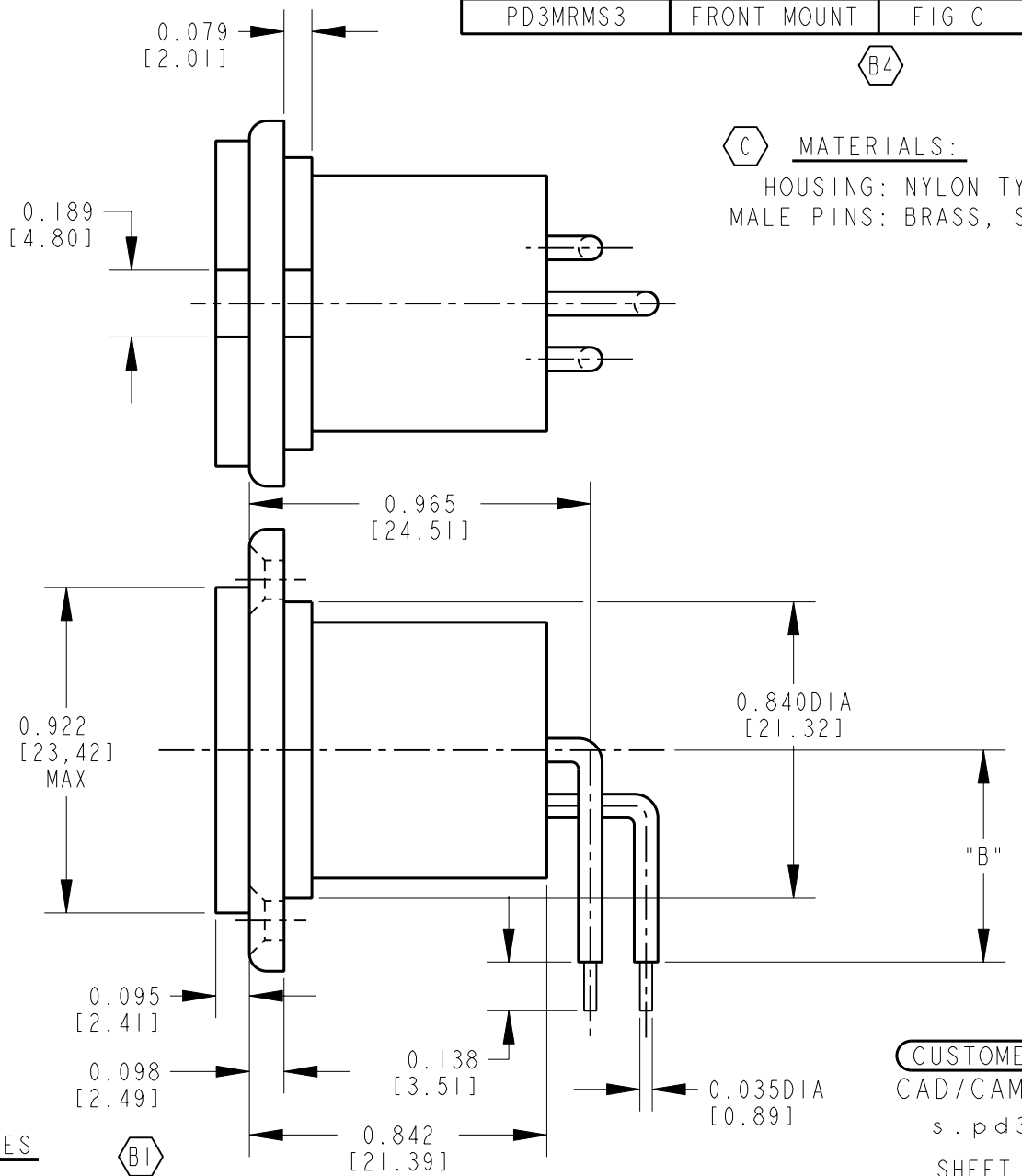


FIG C

SCALE: 1=1



DIMENSIONS TYP FOR ALL FIGURES



C MATERIALS:
 HOUSING: NYLON TYPE 66
 MALE PINS: BRASS, SILVER PLATED

CUSTOMER DRAWING
 CAD/CAM DWG. NO.
 s.pd3mrm_cd
 SHEET 1 OF 1

ISSUE	CHANGE NO.	DATE	BY	APP'D
C	ECO#17911	10-27-92	LR	GHJ
B	ECO#17107	9-27-91	LR	EFJ
A	RELEASE TO PROD.	2-25-91	LR	GHJ

★ STAR SYMBOL DENOTES CRITICAL DIMENSION, SEE S/C ENGINEERING STANDARD ES-0001

UNLESS OTHERWISE SPECIFIED

1. ALL DIMENSIONS IN INCHES
 2. DECIMAL DIMENSIONS ±.005
 3. FRACTIONAL DIMENSIONS ±.005
 4. ANGLES ±1/2°
 5. ALL DIA'S CONCENTRIC WITHIN .005 T.I.R.
 6. REMOVE ALL BURRS
 7. MAKE NO DIMENSIONAL ALLOWANCES FOR APPLIED FINISHES, I.E., PLATING, PAINTING, ETC.
 8. HOLES ON THE SAME CENTERLINE MUST BE ALIGNED WITHIN ±.002

FINISH		MATERIAL	
SPEC. NO.		SPEC. NO.	
FIRST USED ON		SCALE	
DATE DRAWN		1 = .500	
2-25-91	LR	CHK'D THS 3-25-91	APP'D GHJ 3-25-91
NAME		PART NO.	
MALE 3 CONTACTS RIGHT ANGLE OG CONNECTOR		PD3MRM SERIES	
ISSUE		C	



X-ON Electronics

Largest Supplier of Electrical and Electronic Components

Click to view similar products for [XLR Connectors](#) category:

Click to view products by [SWITCHCRAFT](#) manufacturer:

Other Similar products are found below :

[707-0300](#) [A3F01](#) [QGP3F](#) [HA16PRM-3SG\(71\)](#) [AA3FL](#) [AAA4FWZ](#) [AAA4MWZ](#) [AC5FPZB](#) [AC6AFDZV](#) [D4FB](#) [DE4MW](#) [E3MBAUSW](#)
[99.265.0400.0](#) [A3F04](#) [AC3FG](#) [AC4-FCP](#) [AQG4F](#) [2504FP](#) [R6MZ](#) [3FD-V-I-B](#) [3MD-V-I-B](#) [TA01](#) [TA3MWX](#) [TA5MLWX](#) [TRASM4M1X](#)
[TRASM7M1X](#) [ML1](#) [TS05TS](#) [3FD-L-I-\(O\)](#) [D6FDB](#) [DB25FTRS](#) [DHNF-BAG-MAD](#) [DHNF-BAG-O](#) [DHNM-BAG](#) [XLR05TRS](#)
[XLRM05XLRFB](#) [XLRM05XLRFB](#) [XLRM10XLRFB](#) [E3FBAUSW](#) [E3FSW](#) [E3MSW](#) [SR03](#) [TA4FLWX](#) [TA6FLWX](#) [TRAPC8M1X](#)
[TRASM6M1X](#) [TRS10TRS](#) [TRSF05XLRM](#) [TRSF10XLRM](#) [TS10TS](#)