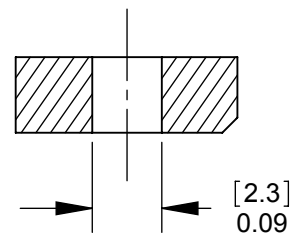
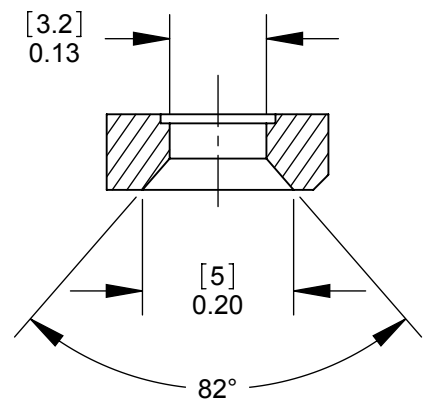


**PD3MSC1  
FRONT MOUNT**  
SECTION A-A  
SCALE 4 : 1



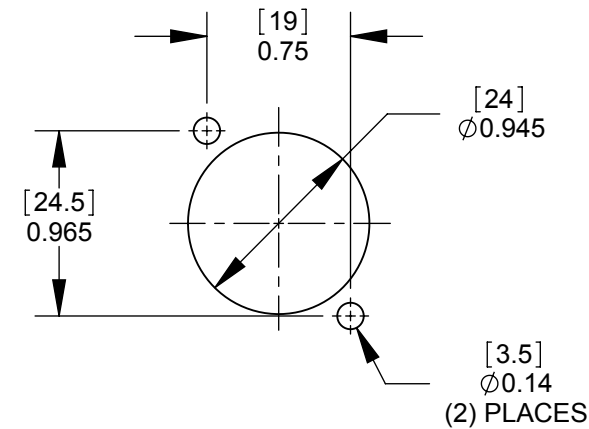
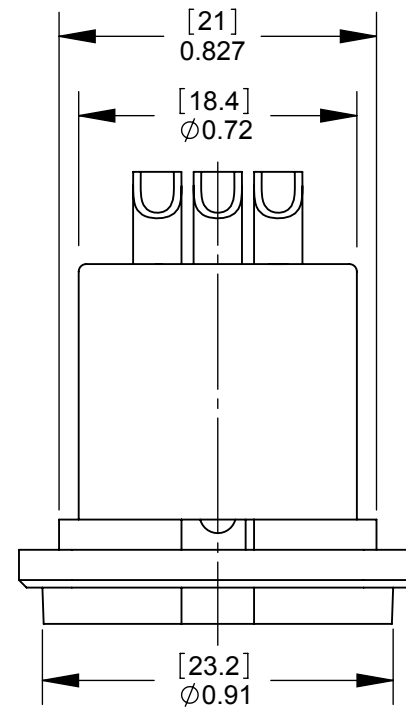
**PD3MSC2  
REAR MOUNT**  
SECTION A-A  
SCALE 4 : 1



**PD3MSC3  
REAR MOUNT**  
SECTION A-A  
SCALE 4 : 1

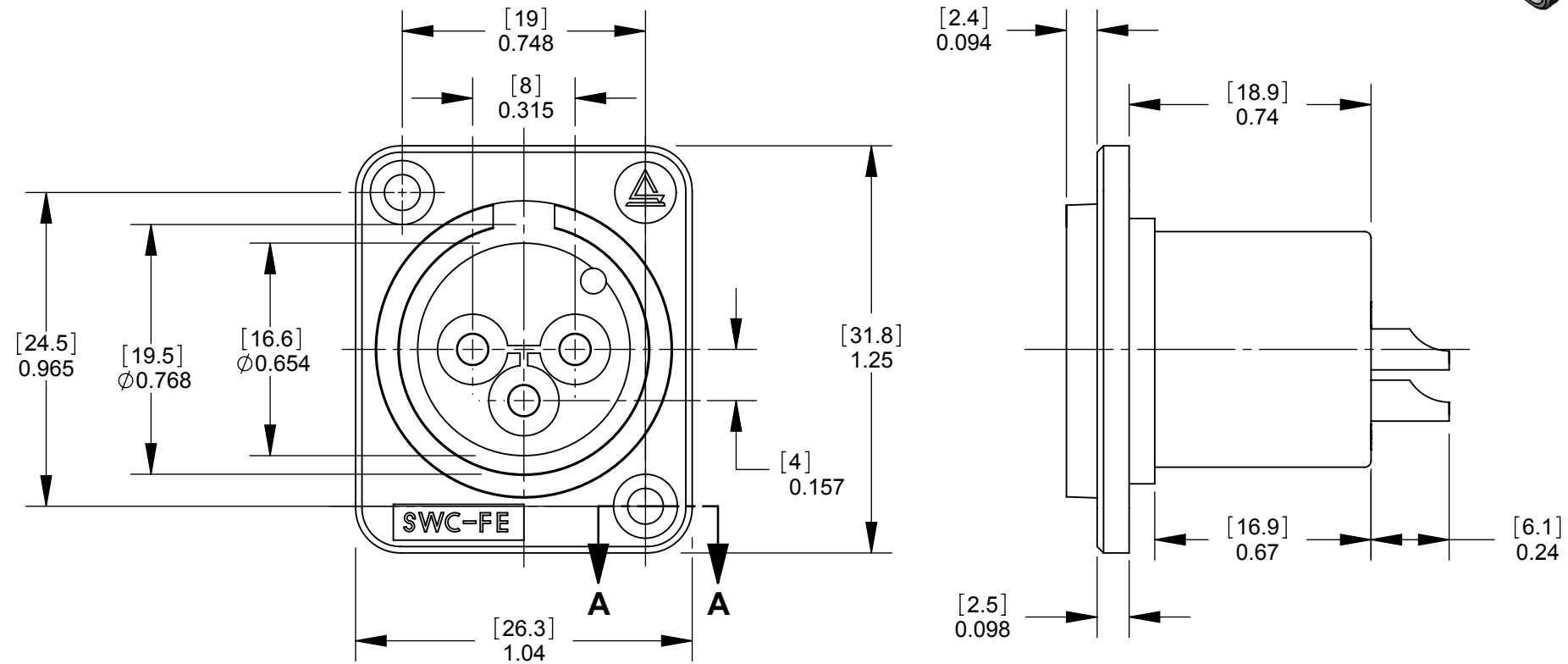
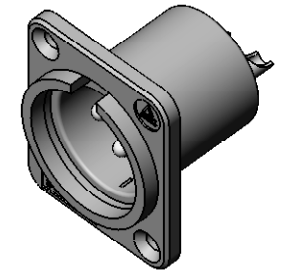
NOTES:

1. MATERIALS:  
HOUSING - THERMOPLASTIC, BLACK  
PINS - COPPER ALLOY (SEE TABLE FOR FINISH)
2. THESE PRODUCTS ARE RoHS COMPLIANT.



RECOMMENDED  
PANEL CUT-OUT

PART NUMBER	MOUNTING STYLE SEE SECTION A-A	TERMINAL PLATING
PD3MSC1	FRONT MOUNT	SILVER
PD3MSC2	REAR MOUNT	SILVER
PD3MSC3	FRONT MOUNT	SILVER
PD3MSC1AU	FRONT MOUNT	GOLD
PD3MSC2AU	REAR MOUNT	GOLD
PD3MSC3AU	FRONT MOUNT	GOLD



**CUSTOMER DRAWING**

REV	ECO NUMBER	DATE	BY	APVD
A	22118	1/14/98	RS	TJK
REVISIONS				

UNLESS OTHERWISE SPECIFIED

1. ALL DIMENSIONS IN INCHES
- TWO PLACE DECIMALS ±0.02
- THREE PLACE DECIMALS ±0.005

DO NOT SCALE DRAWING

THIS DRAWING DESCRIBES A DESIGN CONSIDERED PROPRIETARY IN NATURE, DEVELOPED AND MANUFACTURED BY SWITCHCRAFT INC. AND IS RELEASED ON A CONFIDENTIAL BASIS FOR IDENTIFICATION PURPOSES ONLY.

SIZE	WIDTH	MULT	LBS/M	*
FINISH			MATERIAL	
SPEC No.			SPEC No.	
FIRST USED ON		SCALE 2:1		
DATE DRAWN	BY	CHKD	APVD	
4/27/10	RS	RS	TJK	
		4/27/10	4/28/10	
NAME			PART No.	
PLASTIC PANEL MOUNT			PD3MSC SERIES	
QG CONNECTOR, SOLDERCUP, RoHS			REV A	

**Switchcraft®**

SHEET 1 OF 1

## X-ON Electronics

Largest Supplier of Electrical and Electronic Components

*Click to view similar products for [XLR Connectors](#) category:*

*Click to view products by [Switchcraft](#) manufacturer:*

Other Similar products are found below :

[707-0300](#) [A3F01](#) [A3M01](#) [QGP3F](#) [HA16PRM-3SG\(71\)](#) [AA3FL](#) [AAA4FWZ](#) [AAA4MWZ](#) [AC5FPZB](#) [AC6AFDZV](#) [D4FB](#) [DE4MW](#)  
[E3MBAUSW](#) [99.265.0400.0](#) [A3F04](#) [AC3FG](#) [AC4-FCP](#) [AQG4F](#) [2504FP](#) [R6MZ](#) [3FD-V-I-B](#) [3MD-V-I-B](#) [TA01](#) [TA3MWX](#) [TA5MLWX](#)  
[TRASM4M1X](#) [TRASM7M1X](#) [ML1](#) [TS05TS](#) [3FD-L-I-\(O\)](#) [D6FDB](#) [DB25FTRS](#) [DHNF-BAG-MAD](#) [DHNF-BAG-O](#) [DHNM-BAG](#)  
[XLR05TRS](#) [XLRM05XLR05](#) [XLRM05XLRFB](#) [XLRM10XLR05](#) [E3FBAUSW](#) [E3FSW](#) [E3MSW](#) [SR03](#) [TA4FLWX](#) [TA6FLWX](#)  
[TRAPC8M1X](#) [TRASM6M1X](#) [TRS10TRS](#) [TRSF05XLRM](#) [TRSF10XLRM](#)