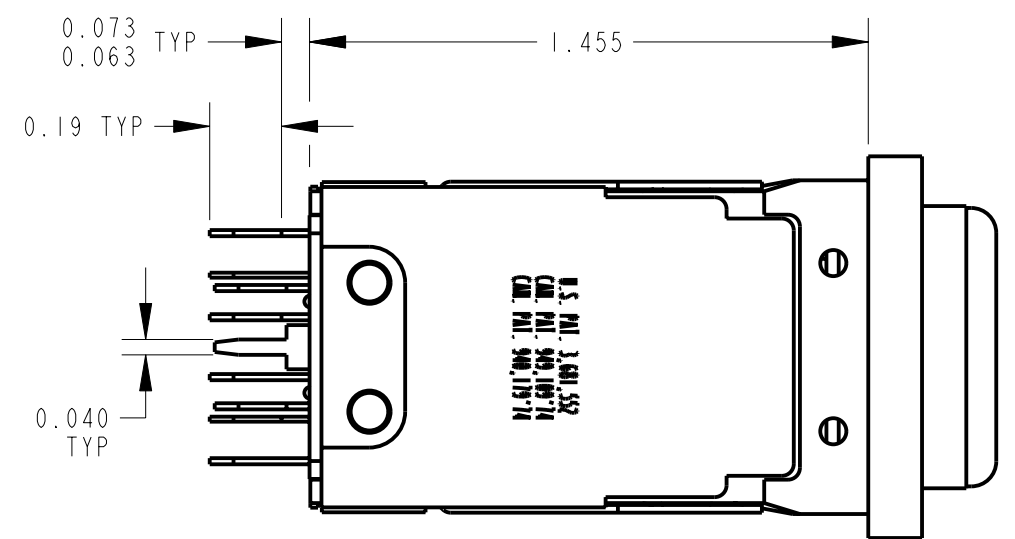
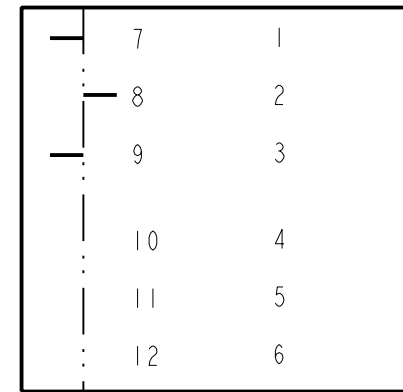


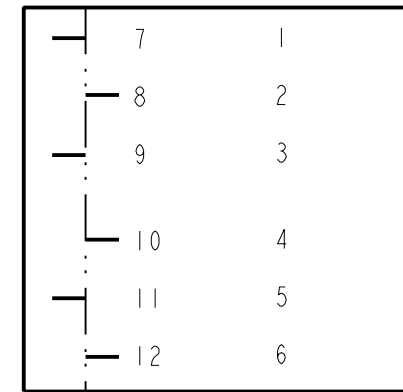
LAMP TERMINAL BLOCK POSITION.  
(SEE DETAIL 'A')



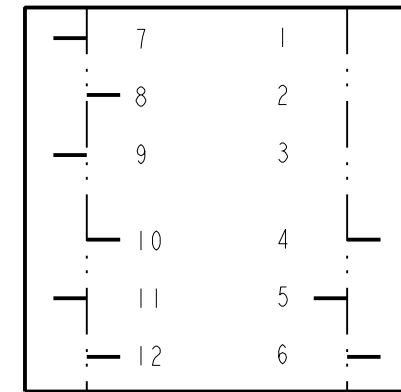
**PC TERMINAL OPTION**  
PL812705X SHOWN



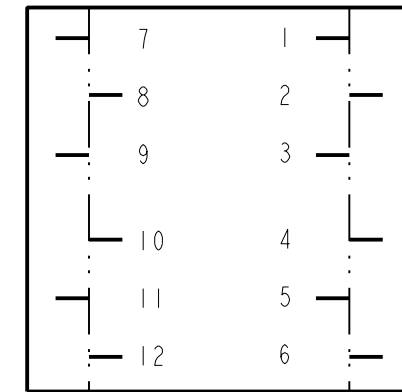
SPDT



DPDT

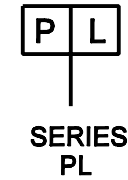


3PDT



4PDT

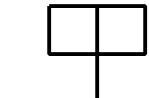
**P.C. TERMINAL LOCATION**



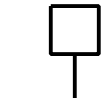
SERIES PL



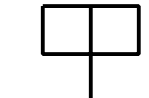
LAMP & SWITCH HOUSING COLOR



CIRCUITRY



ACTION

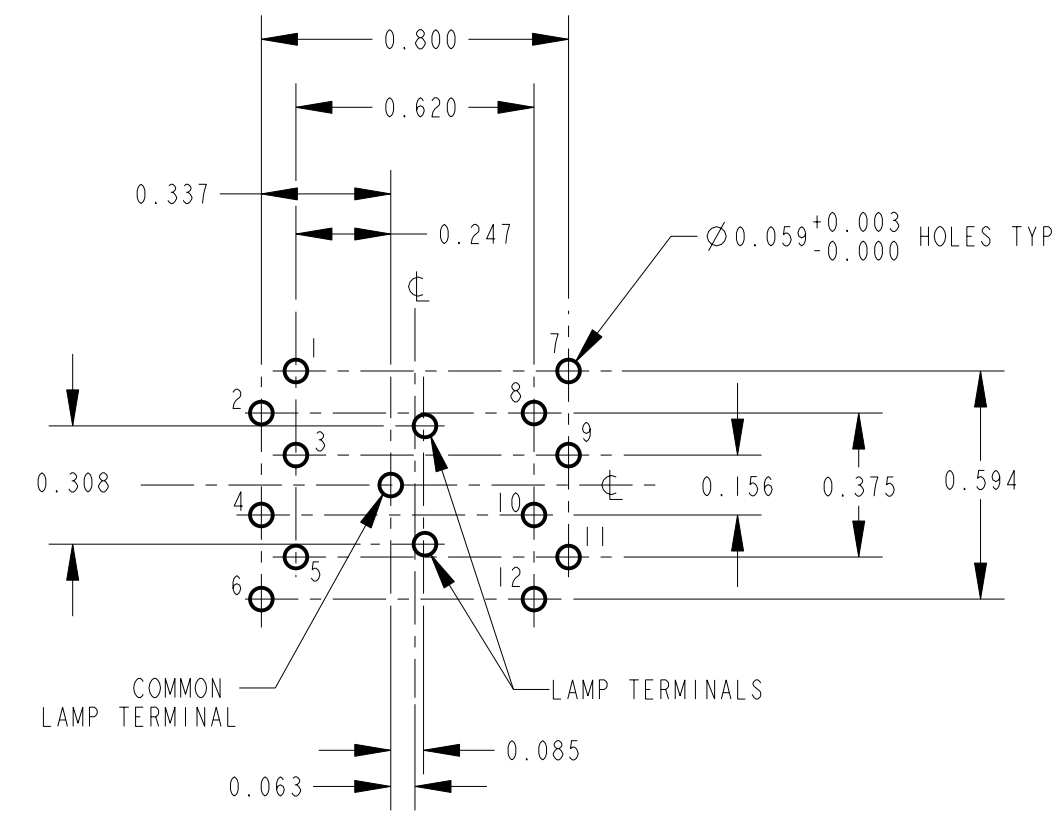


PUSHBUTTON COLOR

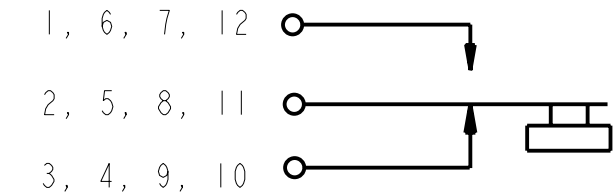


RoHS COMPLIANT

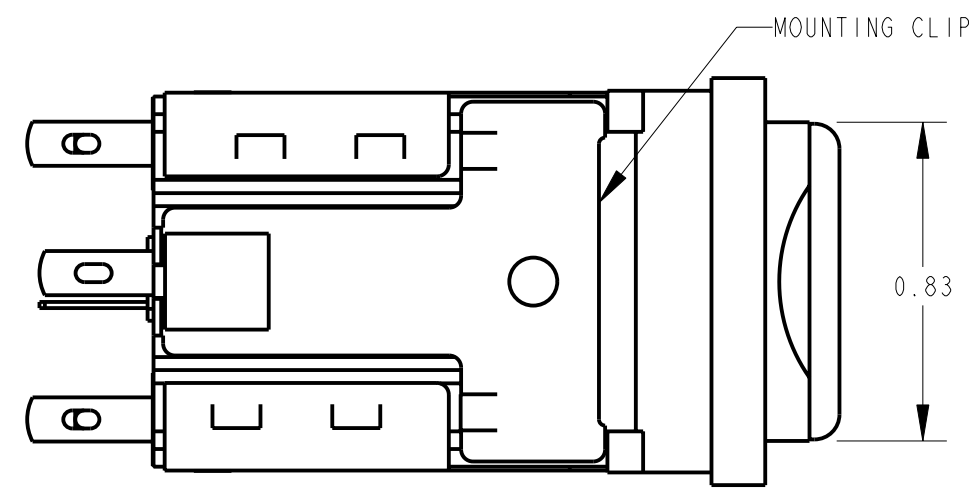
- 1 - SINGLE LAMP, BLACK HOUSING
  - 2 - TWIN LAMP, BLACK HOUSING
  - 3 - NON-ILLUMINATED, BLACK HOUSING
  - 4 - SINGLE LAMP, GRAY HOUSING
  - 5 - TWIN LAMP, GRAY HOUSING
  - 6 - NON-ILLUMINATED, GRAY HOUSING
  - 7 - SINGLE LAMP, BLACK HOUSING (PC TERMINALS)
  - 8 - TWIN LAMP, BLACK HOUSING (PC TERMINALS)
- 03 - 1C (SPDT)
  - 06 - 2C (2PDT)
  - 09 - 3C (3PDT)
  - 12 - 4C (4PDT)
  - 23 - 1C (8A)(SPDT)
  - 26 - 2C (8A)(2PDT)
  - 29 - 3C (8A)(3PDT)
  - 32 - 4C (8A)(4PDT)
- 2 - MOMENTARY
  - 7 - PUSH-LOCK/PUSH-RELEASE
- 00 - NONE
  - 01 - RED
  - 03 - GREEN
  - 04 - BLUE
  - 05 - WHITE
  - 08 - YELLOW
  - 12 - CLEAR
  - 13 - AMBER



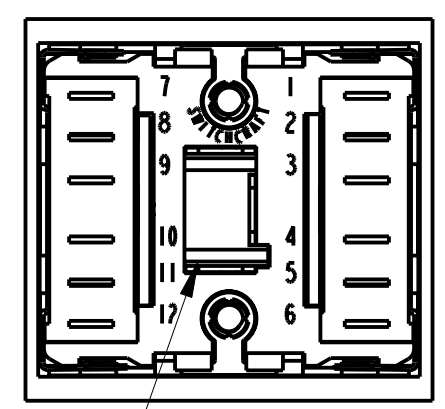
**RECOMMENDED PCB LAYOUT**  
COMPONENT SIDE



SCHEMATIC

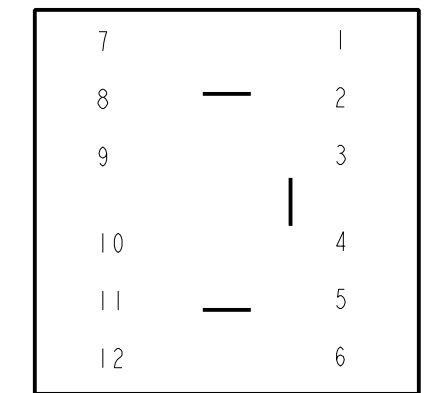
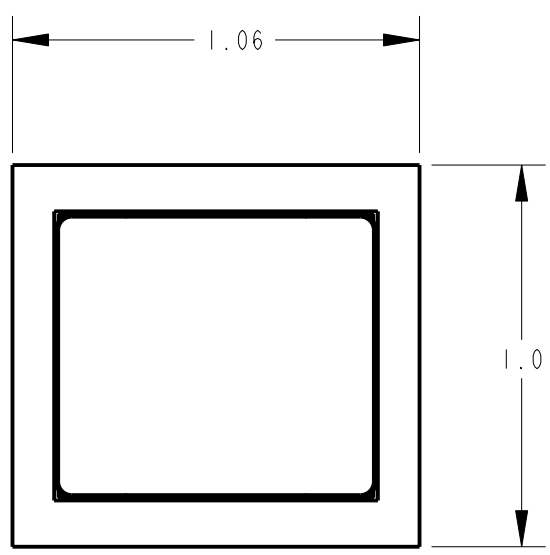


**SOLDER TERMINAL OPTION**  
PL212705X SHOWN

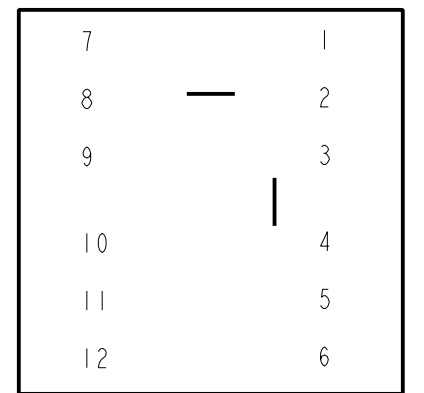


SOLDER LUGS ALSO ACCEPT 0.110 FASTON TERMINALS

LAMP TERMINAL BLOCK POSITION.  
(SEE DETAIL 'A')



TWIN LAMP SOCKET



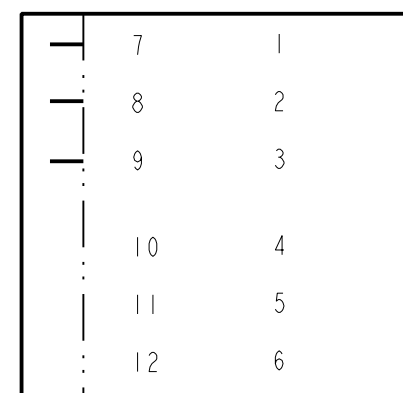
SINGLE LAMP SOCKET

**DETAIL 'A'**  
LAMP TERMINAL LOCATION

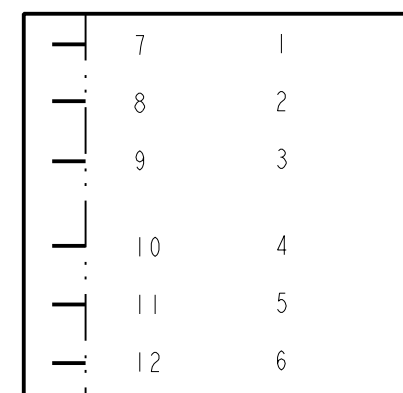
NOTES:

- MATERIALS:  
HOUSING - THERMOPLASTIC, SEE TABLE FOR COLOR  
BUTTON - THERMOPLASTIC, SEE TABLE FOR COLOR  
TERMINALS - COPPER ALLOY, SILVER PLATED  
LAMP SOCKET - PLATED COPPER ALLOY
- MOUNTIN HOLE - 1.000 x 0.875 RECTANGLE.  
0.125 MAX PANEL THICKNESS.
- BUTTON TRAVEL - 0.22 WITH 0.09 FALL BACK ON PUSH-LOCK/PUSH-RELEASE.
- ACCEPTS STANDARD T 1-3/4 FLANGE BASE LAMPS (NOT SUPPLIED).
- THIS PRODUCT IS RoHS COMPLIANT.

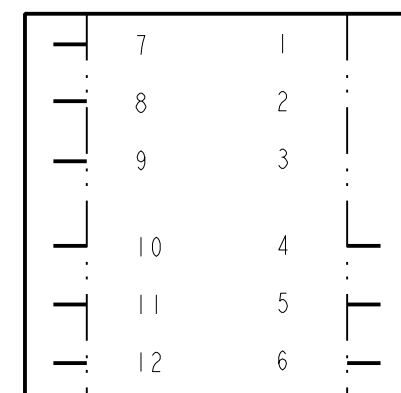
CUSTOMER DRAWING



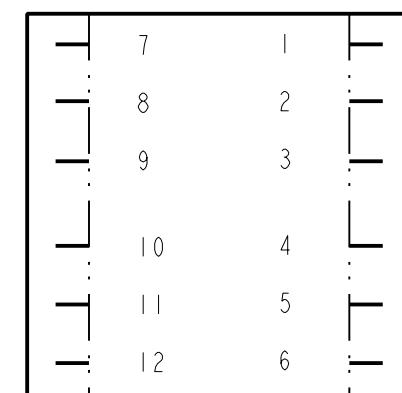
SPDT



DPDT



3PDT



4PDT

**SOLDER TERMINAL LOCATION**

<p>★ STAR SYMBOL DENOTES CRITICAL DIMENSION</p> <p>UNLESS OTHERWISE SPECIFIED</p> <p>1. ALL DIMENSIONS IN INCHES - TWO PLACE DECIMALS ±0.01 - THREE PLACE DECIMALS ±0.005 - ANGLES ±1° - ALL DIA. CONCENTRIC WITHIN 0.005 T.I.R.</p> <p>2. FEATURES ON THE SAME CENTERLINE MUST BE ALIGNED WITHIN ±0.002</p> <p>3. REMOVE ALL BURRS</p>					<p>THIS DRAWING DESCRIBES A DESIGN CONSIDERED PROPRIETARY IN NATURE, DEVELOPED AND MANUFACTURED BY SWITCHCRAFT INC. AND IS RELEASED ON A CONFIDENTIAL BASIS FOR IDENTIFICATION PURPOSES ONLY.</p>				
SIZE		WIDTH		MULT		LBS/M		TEMPER	
FINISH						MATERIAL			
SPEC No.						SPEC No.			
FIRST USED ON				SCALE		2:1			
DATE DRAWN	BY	CHKD	APVD						
31-Mar-09	TJK	4-8-09	4-8-09						
NAME						PART No. PL_2_X SERIES			
PUSH-LITE SWITCHES, RoHS						PL_7_X SERIES			
REVISIONS						REV A			



## X-ON Electronics

Largest Supplier of Electrical and Electronic Components

*Click to view similar products for [Switch Fixings](#) category:*

*Click to view products by [Switchcraft](#) manufacturer:*

Other Similar products are found below :

[893102000](#) [00-5150](#) [LZZ1A](#) [0098.9234](#) [M2PA-5011](#) [630155](#) [635401](#) [6PA113](#) [6PA147-E6](#) [6PA148-E6](#) [6PA32](#) [6PA9](#) [700109](#) [700303A56](#)  
[700C1GRY](#) [700C2GRN](#) [704-6001](#) [704.960.4](#) [704.960.9](#) [704.965.2](#) [704.965.6](#) [704.966.0](#) [7089-3](#) [710082-B11](#) [71M1048](#) [757200264](#)  
[764300000](#) [MHU35](#) [MHU37](#) [807039-1](#) [825.003.011](#) [825.005.011](#) [825.053.011](#) [825.055.011](#) [826.000.071](#) [827.020.011](#) [827.400.021](#)  
[835.900.023](#) [MML52C10C](#) [MML52E10C](#) [MML92HGH](#) [MML93K](#) [84211M02CNNS](#) [84212M02CNNS](#) [84217A8.0LNOS](#) [842.500.011](#)  
[843.000.011](#) [843187-000](#) [843487-000](#) [84-901](#)