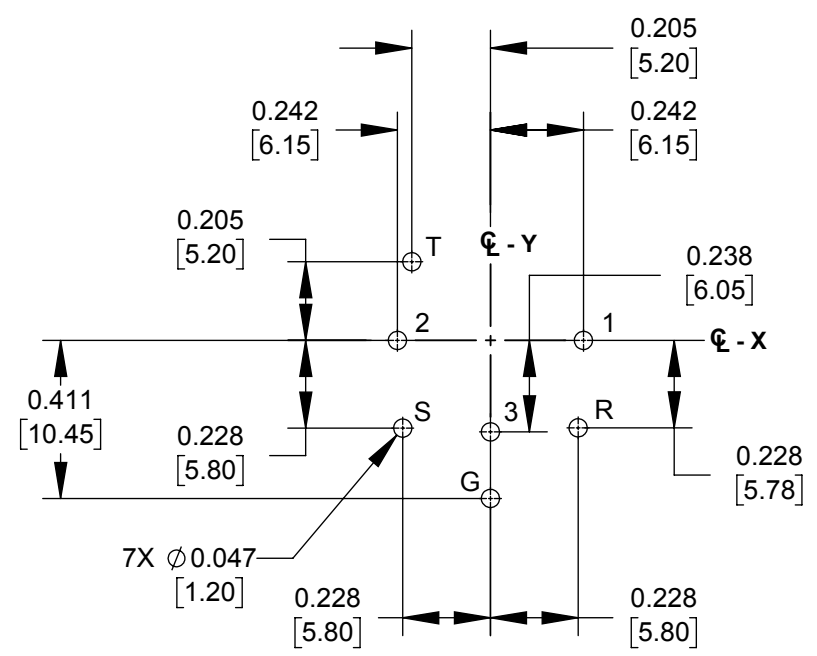
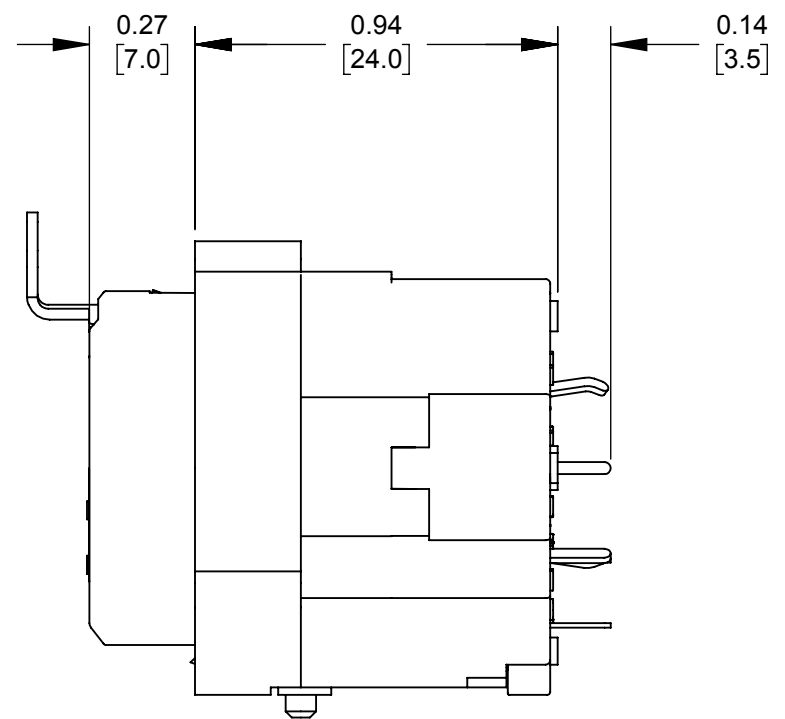
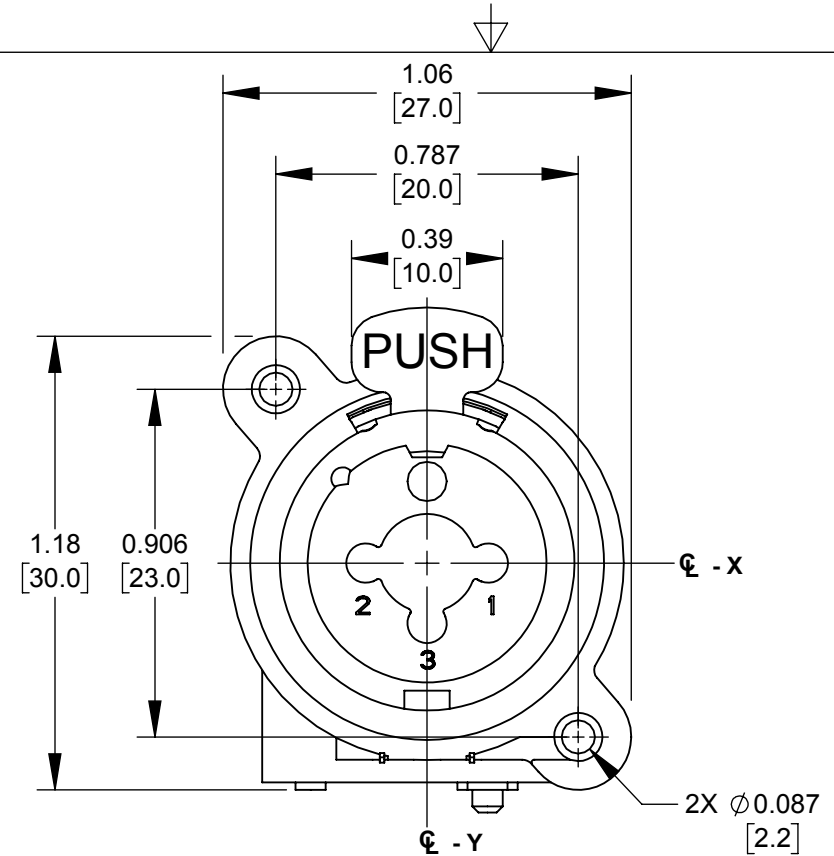
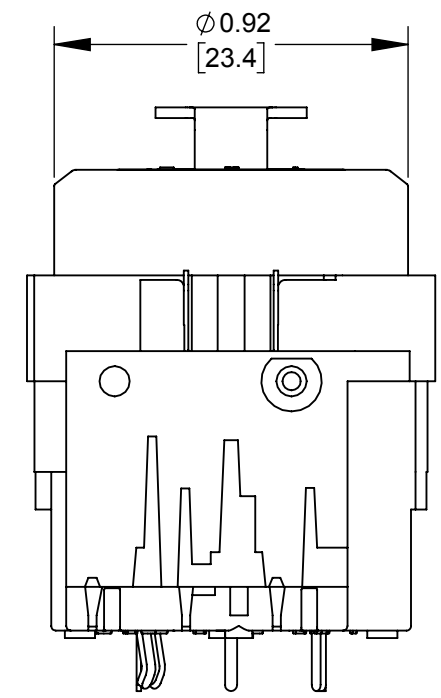


PANEL CUT OUT (FRONT SIDE)



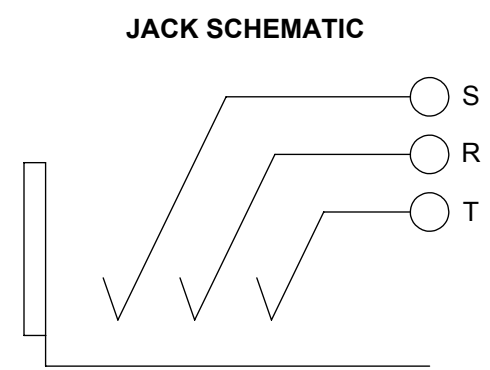
PCB-LAYOUT COMPONENT SIDE



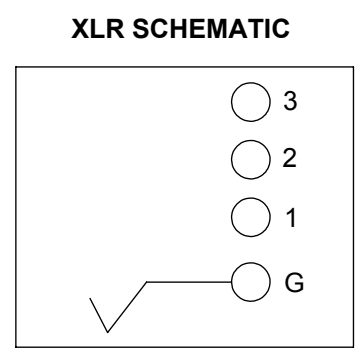
NOTES:

- MATERIALS:  
HOUSING - BLACK THERMOPLASTIC  
CONTACTS - COPPER ALLOY GOLD PLATED  
PUSH BUTTON/SPRING - COPPER ALLOY NICKEL PLATED  
GROUND SPRING - COPPER ALLOY SILVER PLATED
- OPERATING SPECS:  
OPERATING/STORAGE TEMP: -30°C TO 80°C  
RATED VOLTAGE/RATE CURRENT: 50V/7.5A  
INSULATION RESISTANCE: 1/4 JACK: 100MΩ, XLR: INTIAL 2GΩ, AFTER DAMP HEAT:>0.5GΩ  
CONTACT RESISTANCE: **1/4 JACK:** 50mΩ, **XLR:** 30mΩ  
DIELECTRIC STRENGTH: **1/4 JACK:** 0.5mA, AC 500V. **XLR:** 0.5mA, AC 500V  
LIFE: **1/4 JACK:** 2,000 CYCLES, **XLR:** 1000 CYCLES
- THIS PRODUCT IS RoHS COMPLIANT

**CUSTOMER DRAWING**



JACK SCHEMATIC



XLR SCHEMATIC

REV	ECO NUMBER	DATE	BY	APVD
B	28068	8/30/18	TJK	TJK
A	27996	2/8/18	TJK	TJK

REVISIONS

UNLESS OTHERWISE SPECIFIED  
1. ALL DIMENSIONS IN INCHES [mm]  
- TWO PLACE DECIMALS ±0.02 [0.5]  
- THREE PLACE DECIMALS ±0.005 [0.13]

DO NOT SCALE DRAWING

THIS DRAWING DESCRIBES A DESIGN CONSIDERED PROPRIETARY IN NATURE, DEVELOPED AND MANUFACTURED BY SWITCHCRAFT INC. AND IS RELEASED ON A CONFIDENTIAL BASIS FOR IDENTIFICATION PURPOSES ONLY.								
SIZE	WIDTH	MULT	LBS/M	TEMPER	MATERIAL SPEC No.			
FINISH SPEC No.				SCALE 2:1				
FIRST USED ON		DATE DRAWN		BY	CHKD	APVD	<b>Switchcraft</b> <sup>®</sup>	
		1/8/17	AB	AB	TJK			
				1/8/17	2/16/18			
NAME 1/4" PLUG AND 3 PIN XLR, COMBO JACK, STRAIGHT PC, RoHS							PART No. PXCST	REV B

## X-ON Electronics

Largest Supplier of Electrical and Electronic Components

*Click to view similar products for [Phone Connectors](#) category:*

*Click to view products by [Switchcraft](#) manufacturer:*

Other Similar products are found below :

[M444B](#) [6J1041A](#) [R4F](#) [E12BPKG](#) [ECP4PKG](#) [MT333X](#) [171-0350-EX](#) [171-101A-EX](#) [171-3325-EX](#) [176S](#) [NC3MG-V](#) [NYS228G](#) [P10834](#)  
[P2380](#) [P2381X](#) [P2411X](#) [P2412](#) [P2724](#) [JM2PB-AU BULK](#) [9144](#) [S2674](#) [280L](#) [163-158N-2-E](#) [171-3308-EX](#) [171-3500-E](#) [2501FT](#) [CMT335](#)  
[M10662](#) [330Q](#) [RJ5VI-S](#) [40116](#) [TM1R-AU](#) [TM2PBMJ-AU](#) [TM2PJ-AU](#) [TM2PJ-AU BULK](#) [4803.1351](#) [49201](#) [49205](#) [TS3PBJ-AU](#)  
[TS3PBMJ-AU](#) [TT32BX](#) [54B](#) [C55BX](#) [40112](#) [40205](#) [415](#) [XMT332B](#) [52170017-331](#) [570](#) [NM3](#)