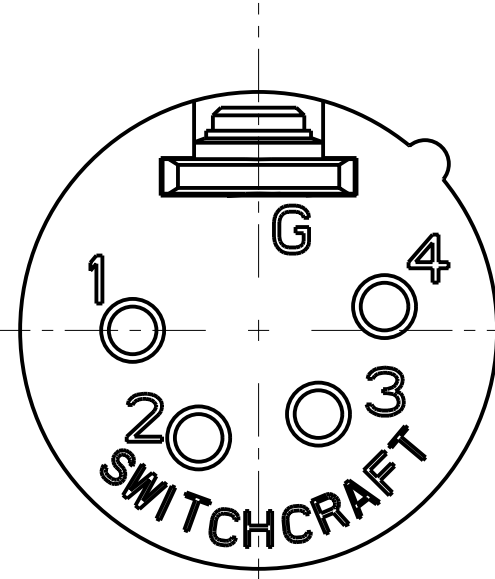
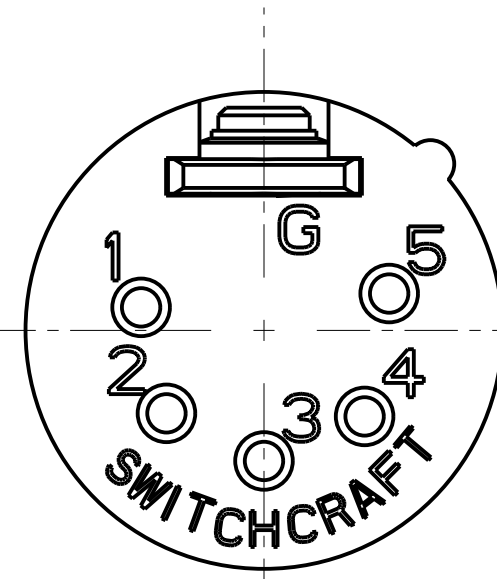


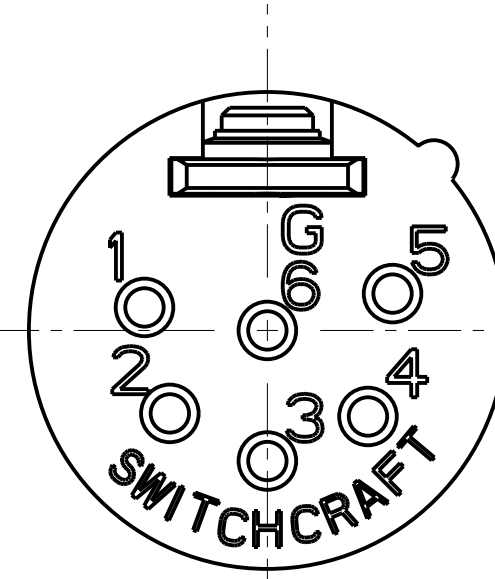
3 PIN



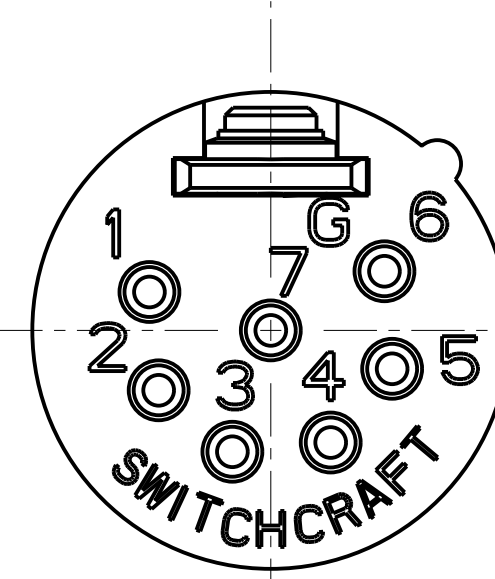
4 PIN



5 PIN



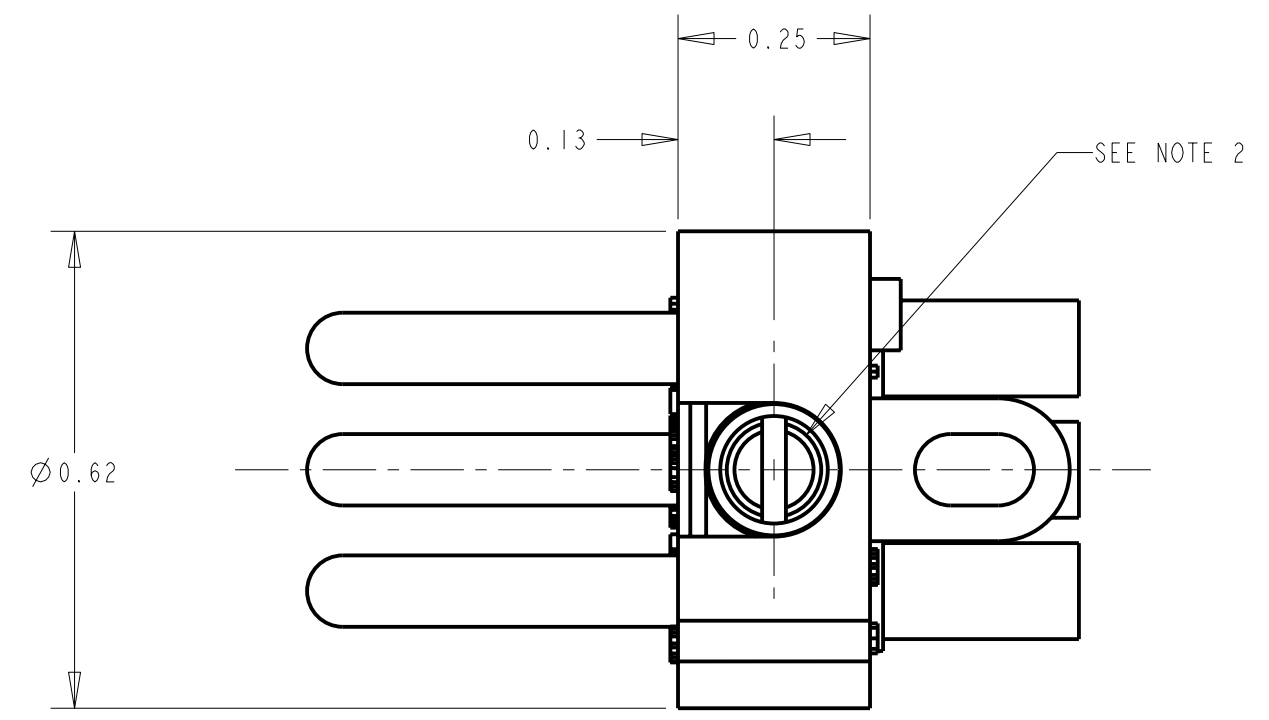
6 PIN



7 PIN

- NOTES:**
1. ALL DIMENSIONS REF. UNLESS OTHERWISE SPECIFIED.
 2. INSERT LOCKING HOLE MUST ACCEPT $\varnothing 0.123$ POST.
 3. KEYWAY ON 4,5,6, AND 7 PIN VERSIONS ONLY EXTENDS UP TO 0.125 FROM REAR SURFACE.

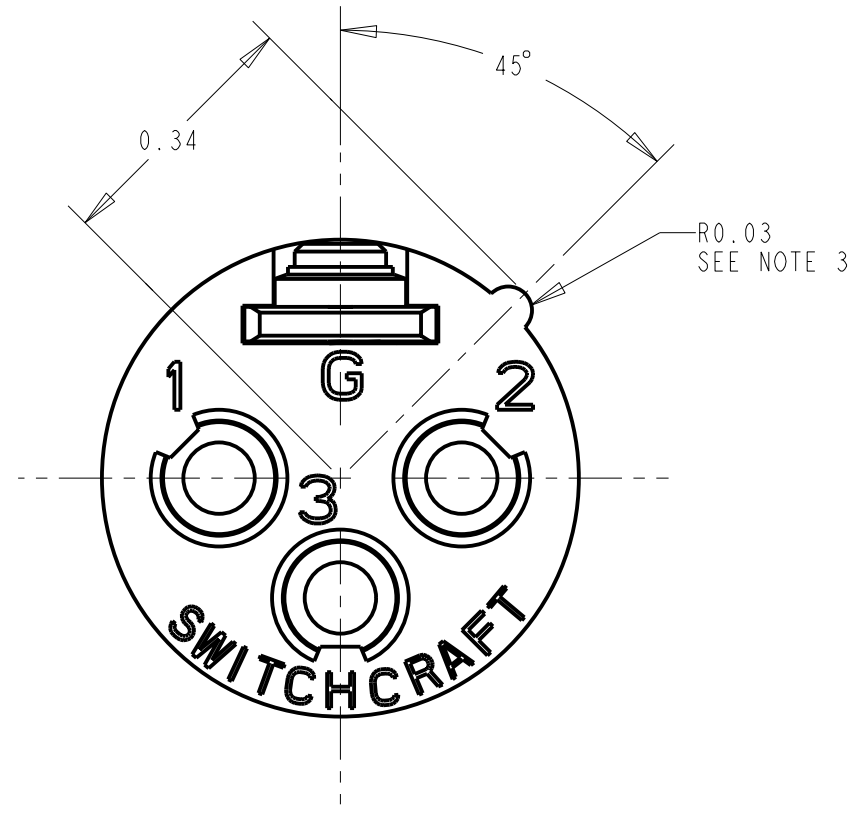
PRODUCT NO.	DIM "A"	DIM "B"
QG3M	1.01	0.27
QG4M	0.91	0.24
QG5M	0.92	0.24
QG6M	0.92	0.24
QG7M	0.82	0.24



STANDARD SERIES

SCREW - STAINLESS STEEL
 SOLDER TERMINAL - BRASS, ELECTRO TIN PLATED
 INSULATOR - POLYESTER, GREEN (UL94V-0)
 CONTACT PIN - BRASS, SILVER PLATED

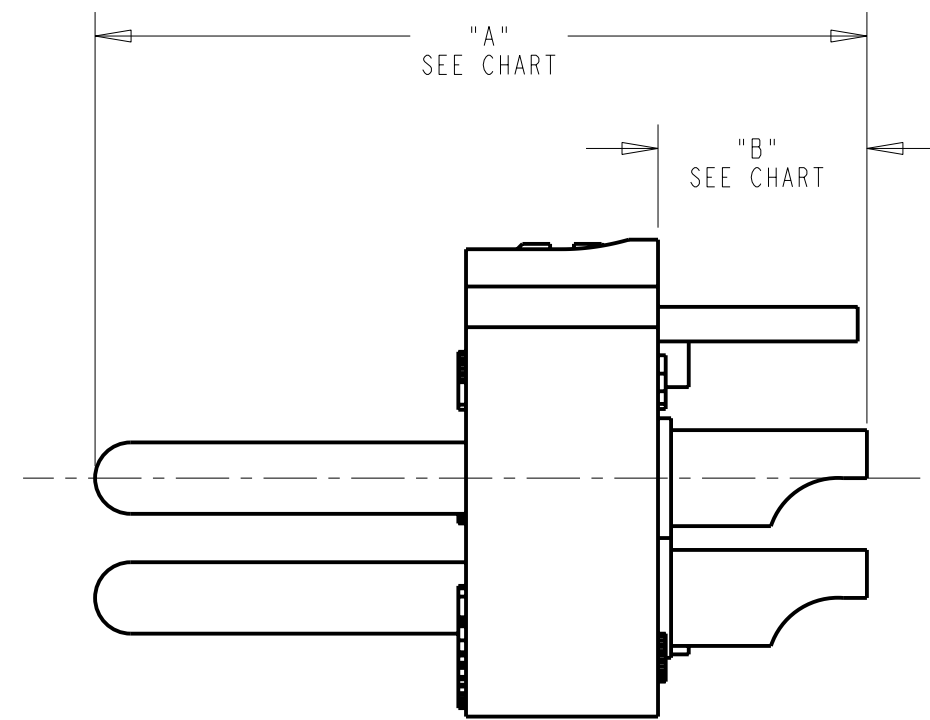
- QG M
- CONTACT PLATING
 BLANK = SILVER (STANDARD)
 AU = GOLD OVER NICKEL
 - HOUSING FINISH
 BLANK = NICKEL PLATE (STANDARD)
 B = BLACK
 - NO. OF CONTACTS:
 3 = 3 CONTACTS
 4 = 4 CONTACTS
 5 = 5 CONTACTS
 6 = 6 CONTACTS
 7 = 7 CONTACTS



PROFESSIONAL SERIES

SAME AS ABOVE EXCEPT
 CONTACT PIN - PHOSPHOR BRONZE, GOLD OVER NICKEL

- QGP M
- NO. OF CONTACTS:
 3 = 3 CONTACTS
 4 = 4 CONTACTS
 5 = 5 CONTACTS
 6 = 6 CONTACTS
 7 = 7 CONTACTS



CUSTOMER DRAWING

					★ STAR SYMBOL DENOTES CRITICAL DIMENSION		THIS DRAWING DESCRIBES A DESIGN CONSIDERED PROPRIETARY IN NATURE, DEVELOPED AND MANUFACTURED BY SWITCHCRAFT INC. AND IS RELEASED ON A CONFIDENTIAL BASIS FOR IDENTIFICATION PURPOSES ONLY.				
					UNLESS OTHERWISE SPECIFIED		SIZE	WIDTH	MULT	LBS/M	TEMPER
					1. ALL DIMENSIONS IN INCHES - TWO PLACE DECIMALS ± 0.01 - THREE PLACE DECIMALS ± 0.005 - ANGLES $\pm 1^\circ$ - ALL DIA. CONCENTRIC WITHIN 0.005 T.I.R.		FINISH		MATERIAL SPEC No.		
M	23067	1-5-00	JL	DG	2. FEATURES ON THE SAME CENTERLINE MUST BE ALIGNED WITHIN ± 0.002		FIRST USED ON		SCALE 4:1		
L	22838	10-1-99	JL	DG	3. REMOVE ALL BURRS		DATE DRAWN	BY	CHKD	APVD	
K	22563	12-10-98	JL	EB	DO NOT SCALE DRAWING		8-22-94	SG	8-29-94	8-29-94	
J	22610	11-23-98	DA	EB			NAME		PART No.		
REV ECO NUMBER DATE BY APVD							MALE QG INSERT SERIES		QG_M SERIES		
REVISIONS									SHEET OF		
									REV M		

X-ON Electronics

Largest Supplier of Electrical and Electronic Components

Click to view similar products for [XLR Connectors](#) category:

Click to view products by [Switchcraft](#) manufacturer:

Other Similar products are found below :

[707-0300](#) [A3F01](#) [A3M01](#) [QGP3F](#) [HA16PRM-3SG\(71\)](#) [AA3FL](#) [AAA4FWZ](#) [AAA4MWZ](#) [AC5FPZB](#) [AC6AFDZV](#) [D4FB](#) [DE4MW](#)
[E3MBAUSW](#) [99.265.0400.0](#) [A3F04](#) [AC3FG](#) [AC4-FCP](#) [AQG4F](#) [2504FP](#) [R6MZ](#) [3FD-V-I-B](#) [3MD-V-I-B](#) [TA01](#) [TA3MWX](#) [TA5MLWX](#)
[TRASM4M1X](#) [TRASM7M1X](#) [ML1](#) [TS05TS](#) [3FD-L-I-\(O\)](#) [D6FDB](#) [DB25FTRS](#) [DHNF-BAG-MAD](#) [DHNF-BAG-O](#) [DHNM-BAG](#)
[XLRF05TRS](#) [XLRM05XLRF](#) [XLRM05XLRFB](#) [XLRM10XLRF](#) [E3FBAUSW](#) [E3FSW](#) [E3MSW](#) [SR03](#) [TA4FLWX](#) [TA6FLWX](#)
[TRAPC8M1X](#) [TRASM6M1X](#) [TRS10TRS](#) [TRSF05XLRM](#) [TRSF10XLRM](#)