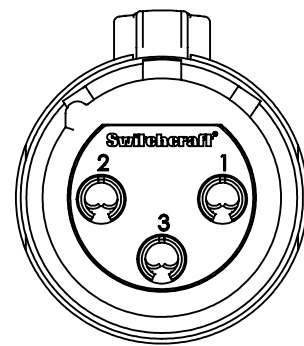
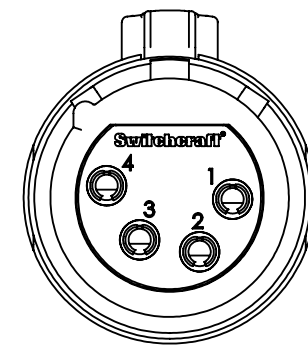


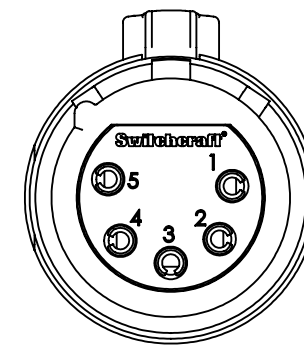
PART NUMBER	CONTACT PINS		HOUSING AND LATCH FINISH	INSULATOR COLOR
	QTY	FINISH		
QT3FZ	3	SILVER	NICKEL	GREEN
QT3FAUZ	3	GOLD	NICKEL	GREEN
QT3FBZ	3	SILVER	BLACK CHROME	BLACK
QT3FBAUZ	3	GOLD	BLACK CHROME	BLACK
QT4FZ	4	SILVER	NICKEL	GREEN
QT4FAUZ	4	GOLD	NICKEL	GREEN
QT4FBZ	4	SILVER	BLACK CHROME	BLACK
QT4FBAUZ	4	GOLD	BLACK CHROME	BLACK
QT5FZ	5	SILVER	NICKEL	GREEN
QT5FAUZ	5	GOLD	NICKEL	GREEN
QT5FBZ	5	SILVER	BLACK CHROME	BLACK
QT5FBAUZ	5	GOLD	BLACK CHROME	BLACK
QT6FZ	6	SILVER	NICKEL	GREEN
QT6FAUZ	6	GOLD	NICKEL	GREEN
QT6FBZ	6	SILVER	BLACK CHROME	BLACK
QT6FBAUZ	6	GOLD	BLACK CHROME	BLACK
QT7FZ	7	SILVER	NICKEL	GREEN
QT7FAUZ	7	GOLD	NICKEL	GREEN
QT7FBZ	7	SILVER	BLACK CHROME	BLACK
QT7FBAUZ	7	GOLD	BLACK CHROME	BLACK



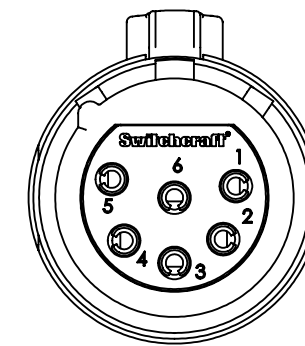
3 PIN



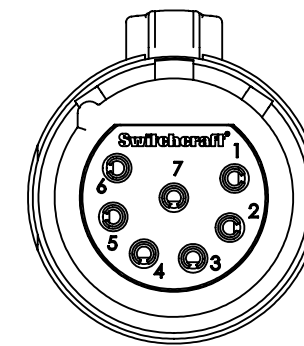
4 PIN



5 PIN

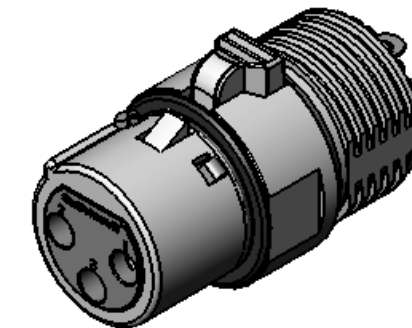
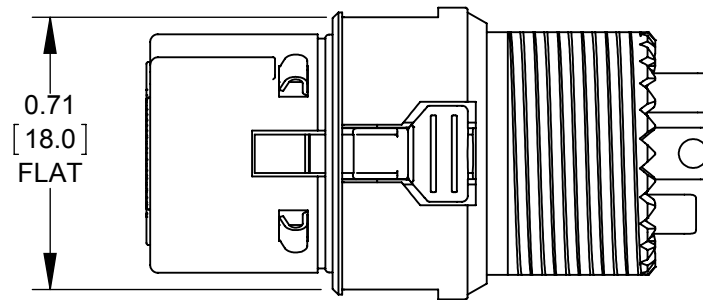


6 PIN

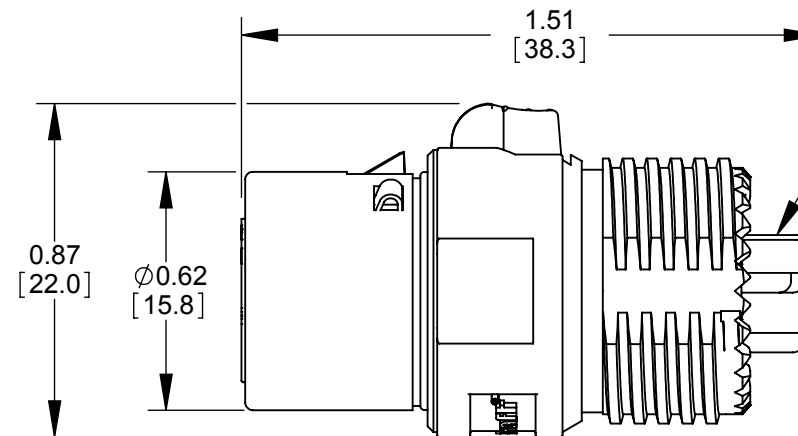
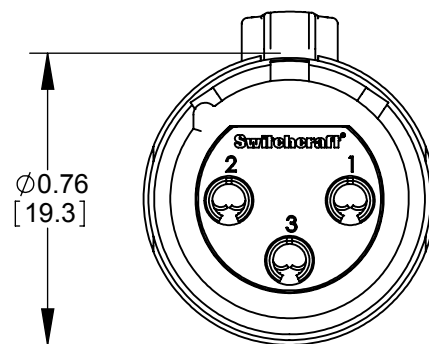


7 PIN

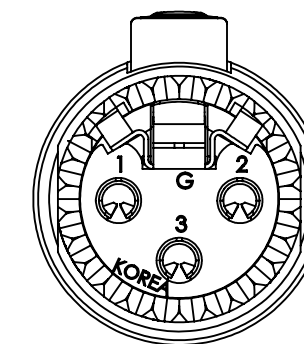
CONTACTS AS VIEWED FACING FEMALE CONNECTOR



QT3FZ SHOWN



GROUND TERMINAL



CUSTOMER DRAWING

NOTES:

- MATERIALS:
HOUSING - ZINC ALLOY
LATCH - ZINC ALLOY
INSULATOR - THERMOPLASTIC
GROUND TERMINAL - SPECIAL COPPER ALLOY
SOCKET CONTACTS - SPECIAL COPPER ALLOY
O-RING - THERMOPLASTIC RUBBER, BLACK
- THESE PRODUCTS ARE RoHS COMPLIANT.

REV	ECO NUMBER	DATE	BY	APVD
E	27081	01/25/13	BL	TJK
D	25891	9-9-08	RS	TJK
C	24940	3-10-05	JL	TJK
B	24552	10-10-03	JL	BRH
A	24446	8-11-03	JL	BRH
REVISIONS				

★ STAR SYMBOL DENOTES CRITICAL DIMENSION

UNLESS OTHERWISE SPECIFIED

- ALL DIMENSIONS IN INCHES
- TWO PLACE DECIMALS ±0.01
- THREE PLACE DECIMALS ±0.005
- ANGLES ±1°
- ALL DIA. CONCENTRIC WITHIN 0.005 T.I.R.
- FEATURES ON THE SAME CENTERLINE MUST BE ALIGNED WITHIN ±0.002
- REMOVE ALL BURRS

DO NOT SCALE DRAWING

THIS DRAWING DESCRIBES A DESIGN CONSIDERED PROPRIETARY IN NATURE, DEVELOPED AND MANUFACTURED BY SWITCHCRAFT INC. AND IS RELEASED ON A CONFIDENTIAL BASIS FOR IDENTIFICATION PURPOSES ONLY.

SIZE	WIDTH	MULT	LBS/M	TEMPER
FINISH		MATERIAL		
SPEC No.		SPEC No.		
FIRST USED ON AAA3FZ		SCALE 2:1		
DATE DRAWN	BY	CHKD	APVD	
03-07-03	BRH	BRH	BRH	
		8-11-03	8-11-03	
NAME		PART No.		REV
FEMALE XLR INSERT SUB-ASSY, RoHS		QT_FZ SERIES		E

Switchcraft®

SHEET 1 OF 1

X-ON Electronics

Largest Supplier of Electrical and Electronic Components

Click to view similar products for [XLR Connectors](#) category:

Click to view products by [SWITCHCRAFT](#) manufacturer:

Other Similar products are found below :

[707-0300](#) [A3F01](#) [QGP3F](#) [HA16PRM-3SG\(71\)](#) [AA3FL](#) [AAA4FWZ](#) [AAA4MWZ](#) [AC5FPZB](#) [AC6AFDZV](#) [D4FB](#) [DE4MW](#) [E3MBAUSW](#)
[99.265.0400.0](#) [A3F04](#) [AC3FG](#) [AC4-FCP](#) [AQG4F](#) [2504FP](#) [R6MZ](#) [3FD-V-I-B](#) [3MD-V-I-B](#) [TA01](#) [TA3MWX](#) [TA5MLWX](#) [TRASM4M1X](#)
[TRASM7M1X](#) [ML1](#) [TS05TS](#) [3FD-L-I-\(O\)](#) [D6FDB](#) [DB25FTRS](#) [DHNF-BAG-MAD](#) [DHNF-BAG-O](#) [DHNM-BAG](#) [XLRF05TRS](#)
[XLRM05XLRFB](#) [XLRM05XLRFB](#) [XLRM10XLRFB](#) [E3FBAUSW](#) [E3FSW](#) [E3MSW](#) [SR03](#) [TA4FLWX](#) [TA6FLWX](#) [TRAPC8M1X](#)
[TRASM6M1X](#) [TRS10TRS](#) [TRSF05XLRM](#) [TRSF10XLRM](#) [TS10TS](#)