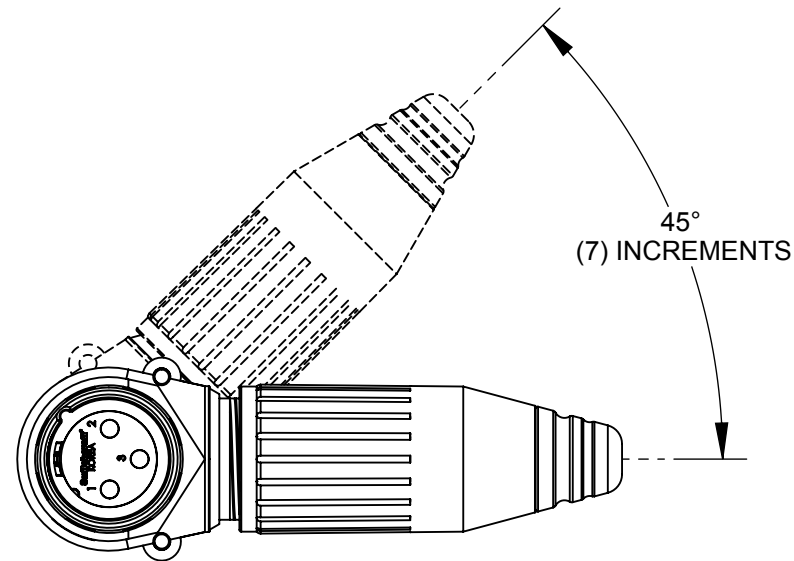
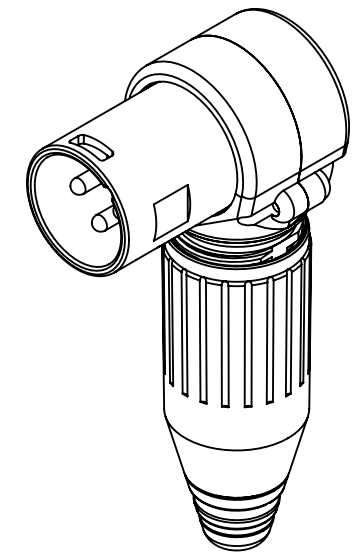
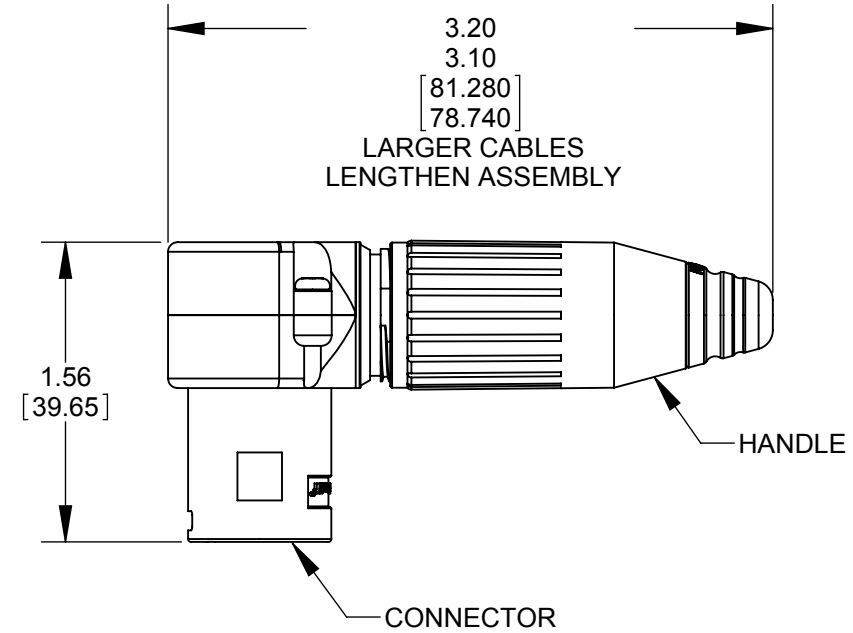
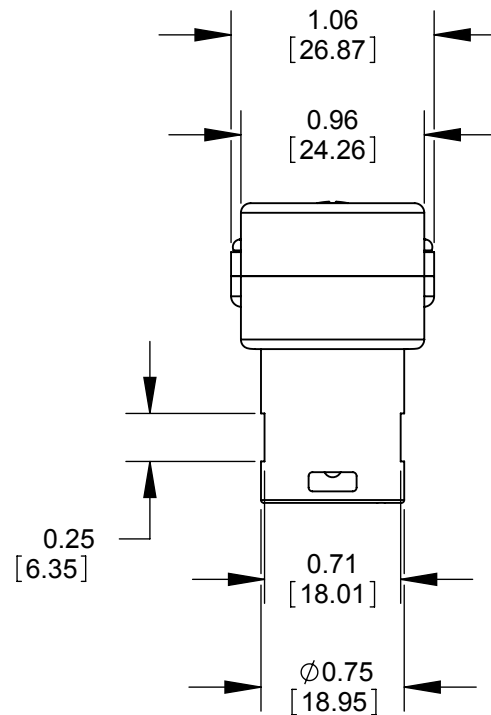


CONTACT ARRANGEMENT
(SHOWN ARE FRONT VIEWS OF MALE CONNECTORS)



R3MZ SHOWN



NOTE:

- HANDLE AND CONNECTOR SHIPPED UNASSEMBLED.
- MATERIALS:
HANDLE AND HOUSING- ZINC ALLOY (SEE TABLE FOR FINISH)
INSULATOR AND FLEX RELIEF - THERMOPLASTIC
CONTACTS - COPPER ALLOY (SEE TABLE FOR FINISH)
SCREWS - STEEL, FINISH SAME AS CONNECTOR
- THIS PRODUCT IS RoHS COMPLIANT.

CUSTOMER DRAWING

| PART NUMBER | CONTACTS | | CONNECTOR | HANDLE |
|-------------|----------|--------|-----------|--------|
| | QTY | FINISH | | |
| R3MZ | 3 | SILVER | NICKEL | NICKEL |
| R3MBZ | 3 | SILVER | BLACK | BLACK |
| R3MBAUZ | 3 | GOLD | BLACK | BLACK |
| R4MZ | 4 | SILVER | NICKEL | NICKEL |
| R4MBZ | 4 | SILVER | BLACK | BLACK |
| R4MBAUZ | 4 | GOLD | BLACK | BLACK |
| R5MZ | 5 | SILVER | NICKEL | NICKEL |
| R5MBZ | 5 | SILVER | BLACK | BLACK |
| R5MBAUZ | 5 | GOLD | BLACK | BLACK |
| R6MZ | 6 | SILVER | NICKEL | NICKEL |
| R6MBZ | 6 | SILVER | BLACK | BLACK |
| R6MBAUZ | 6 | GOLD | BLACK | BLACK |
| R7MZ | 7 | SILVER | NICKEL | NICKEL |
| R7MBZ | 7 | SILVER | BLACK | BLACK |
| R7MBAUZ | 7 | GOLD | BLACK | BLACK |

| REV | ECO NUMBER | DATE | BY | APVD |
|-----|------------|----------|----|------|
| C | 24636 | 12-10-03 | RS | TJK |
| B | 24577 | 10-27-03 | JL | BRH |
| A | 24446 | 8-12-03 | JL | BRH |

★ STAR SYMBOL DENOTES CRITICAL DIMENSION

UNLESS OTHERWISE SPECIFIED

- ALL DIMENSIONS IN INCHES
- TWO PLACE DECIMALS ±0.01
- THREE PLACE DECIMALS ±0.005
- ANGLES ±1°
- ALL DIA. CONCENTRIC WITHIN 0.005 T.I.R.
- FEATURES ON THE SAME CENTERLINE MUST BE ALIGNED WITHIN ±0.002
- REMOVE ALL BURRS

DO NOT SCALE DRAWING

| | | | | | | | | | |
|--|-------|----------|-------------|--------------|--|-----|--|--|--|
| THIS DRAWING DESCRIBES A DESIGN CONSIDERED PROPRIETARY IN NATURE, DEVELOPED AND MANUFACTURED BY SWITCHCRAFT INC. AND IS RELEASED ON A CONFIDENTIAL BASIS FOR IDENTIFICATION PURPOSES ONLY. | | | | | | | | | |
| SIZE | WIDTH | MULT | LBS/M | TEMPER | | | | | |
| FINISH | | MATERIAL | | | | | | | |
| SPEC No. | | SPEC No. | | | | | | | |
| FIRST USED ON | | | | SCALE 1:1 | | | | | |
| DATE DRAWN | BY | CHKD | APVD | Switchcraft® | | | | | |
| 3-11-03 | BRH | BRH | BRH | SHEET 1 OF 1 | | | | | |
| NAME | | | PART No. | | | REV | | | |
| MALE RIGHT ANGLE, RoHS | | | R_MZ_SERIES | | | C | | | |

X-ON Electronics

Largest Supplier of Electrical and Electronic Components

Click to view similar products for [Switchcraft](#) manufacturer:

Other Similar products are found below :

[8382-2PG-3DC](#) [585](#) [6006L](#) [60324L](#) [60KD4M](#) [M444B](#) [MMVP48K175T](#) [MMVP96K3NNT](#) [913DS](#) [12010X](#) [1200](#) [12011](#) [QGPK1CAT5E](#)
[AAA5FBAUZ](#) [12JL6M](#) [D6MBAU](#) [13033T](#) [13282-18SG-331](#) [13382-10PG-321](#) [DS317](#) [E3FAUQG](#) [E3FDAU](#) [E3FDB](#) [E3FDRAAU](#)
[E3FDRAB](#) [E3FDSTAU](#) [E3FDSTBAU](#) [E3FRAAUQG](#) [E3FSTB](#) [E3FSTBAU](#) [E3MAU](#) [E3MAUQG](#) [EHFW800X2PKG](#) [160](#) [EMHB](#)
[MT334B](#) [MT48FNX](#) [EN3C11F26](#) [EN3P3FP](#) [MVP32K1NTX](#) [175](#) [18QA18](#) [18QF18](#) [18QK18](#) [20QD20N4](#) [20QF20](#) [20QF20N2](#) [20QF20N6](#)
[P10834](#) [P2724](#)