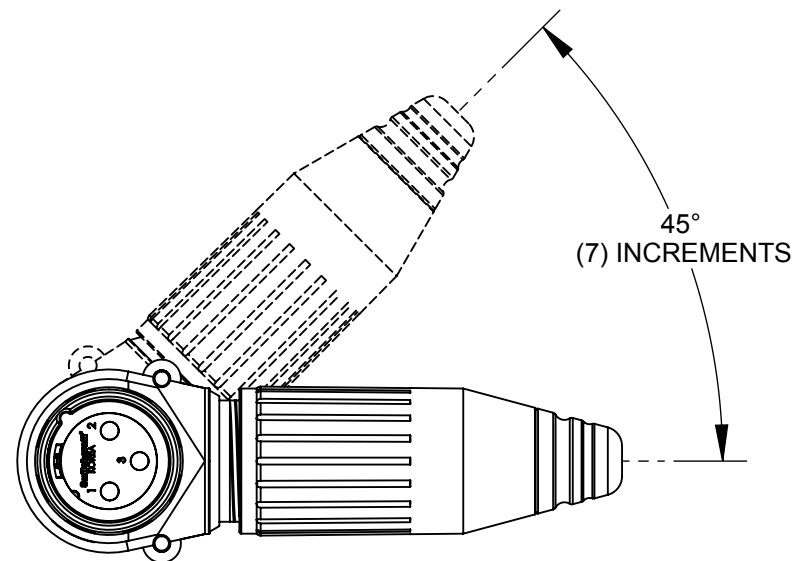
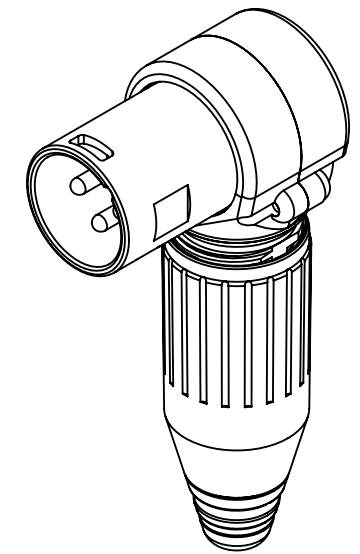
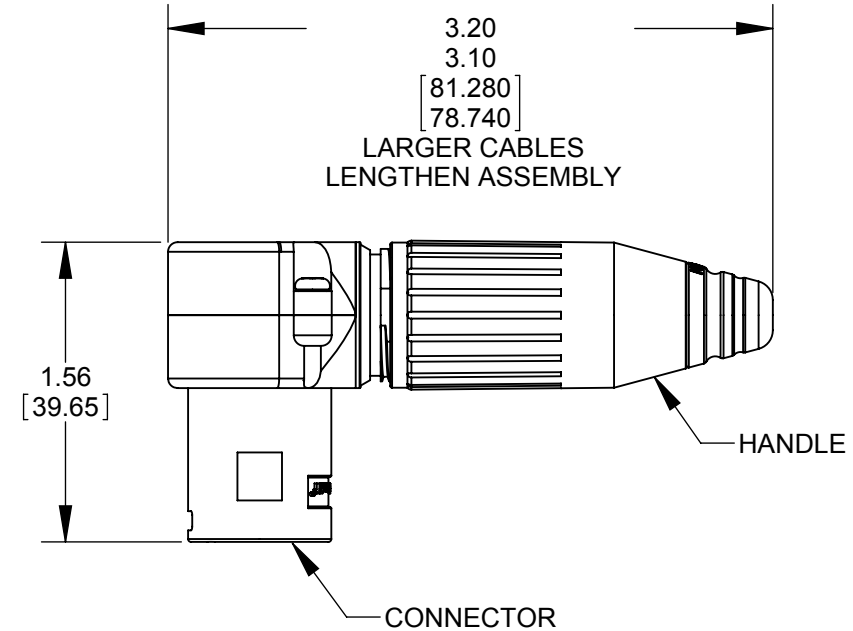
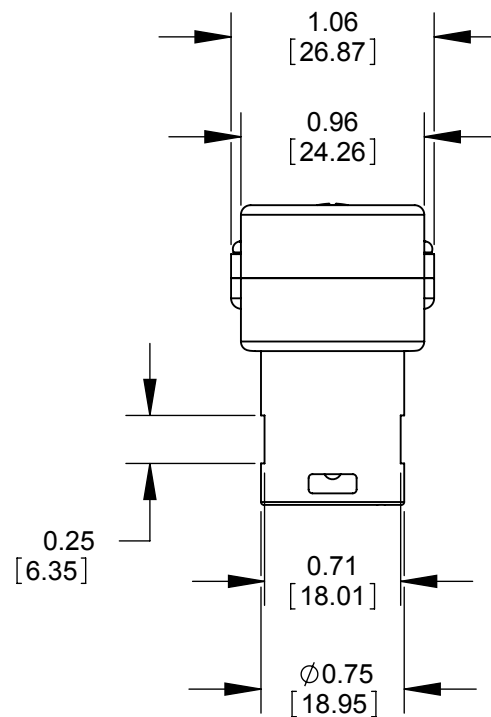


CONTACT ARRANGEMENT
(SHOWN ARE FRONT VIEWS OF MALE CONNECTORS)



R3MZ SHOWN



NOTE:

- HANDLE AND CONNECTOR SHIPPED UNASSEMBLED.
- MATERIALS:
HANDLE AND HOUSING- ZINC ALLOY (SEE TABLE FOR FINISH)
INSULATOR AND FLEX RELIEF - THERMOPLASTIC
CONTACTS - COPPER ALLOY (SEE TABLE FOR FINISH)
SCREWS - STEEL, FINISH SAME AS CONNECTOR
- THIS PRODUCT IS RoHS COMPLIANT.

CUSTOMER DRAWING

PART NUMBER	CONTACTS		CONNECTOR	HANDLE
	QTY	FINISH		
R3MZ	3	SILVER	NICKEL	NICKEL
R3MBZ	3	SILVER	BLACK	BLACK
R3MBAUZ	3	GOLD	BLACK	BLACK
R4MZ	4	SILVER	NICKEL	NICKEL
R4MBZ	4	SILVER	BLACK	BLACK
R4MBAUZ	4	GOLD	BLACK	BLACK
R5MZ	5	SILVER	NICKEL	NICKEL
R5MBZ	5	SILVER	BLACK	BLACK
R5MBAUZ	5	GOLD	BLACK	BLACK
R6MZ	6	SILVER	NICKEL	NICKEL
R6MBZ	6	SILVER	BLACK	BLACK
R6MBAUZ	6	GOLD	BLACK	BLACK
R7MZ	7	SILVER	NICKEL	NICKEL
R7MBZ	7	SILVER	BLACK	BLACK
R7MBAUZ	7	GOLD	BLACK	BLACK

REV	ECO NUMBER	DATE	BY	APVD
C	24636	12-10-03	RS	TJK
B	24577	10-27-03	JL	BRH
A	24446	8-12-03	JL	BRH

★ STAR SYMBOL DENOTES CRITICAL DIMENSION

UNLESS OTHERWISE SPECIFIED

- ALL DIMENSIONS IN INCHES
- TWO PLACE DECIMALS ±0.01
- THREE PLACE DECIMALS ±0.005
- ANGLES ±1°
- ALL DIA. CONCENTRIC WITHIN 0.005 T.I.R.
- FEATURES ON THE SAME CENTERLINE MUST BE ALIGNED WITHIN ±0.002
- REMOVE ALL BURRS

DO NOT SCALE DRAWING

THIS DRAWING DESCRIBES A DESIGN CONSIDERED PROPRIETARY IN NATURE, DEVELOPED AND MANUFACTURED BY SWITCHCRAFT INC. AND IS RELEASED ON A CONFIDENTIAL BASIS FOR IDENTIFICATION PURPOSES ONLY.									
SIZE	WIDTH	MULT	LBS/M	TEMPER					
FINISH		MATERIAL							
SPEC No.		SPEC No.							
FIRST USED ON				SCALE					
				1:1					
DATE DRAWN	BY	CHKD	APVD						
3-11-03	BRH	BRH	BRH						
		8-12-04	8-12-04						
NAME				PART No.		REV			
MALE RIGHT ANGLE, RoHS				R_MZ_SERIES		C			

X-ON Electronics

Largest Supplier of Electrical and Electronic Components

Click to view similar products for [Standard Circular Connector](#) category:

Click to view products by [Switchcraft](#) manufacturer:

Other Similar products are found below :

[5M2530B10P](#) [600259N006](#) [600273N007](#) [6134-336-13149](#) [6134-337-11149](#) [6134-337-2390](#) [6134-341-17149](#) [6280-4SG-516](#) [6280-7SG-3DC](#)
[6290](#) [6291A](#) [66200A-10](#) [680-SMG](#) [681-PMG](#) [CXS3102A14S2P](#) [CXS3102A181S](#) [7251-5SG-300](#) [7271-6SG-300](#) [7282-3PG-300-CH3](#) [75-](#)
[474618-01S](#) [75-474618-04P](#) [75-474618-04S](#) [799539-000](#) [MI8-SE](#) [805-005-07NF11-19PC](#) [805-005-07NF15-7PA](#) [8280-4PG-516](#) [8280-7PG-](#)
[519](#) [8282-5PG-519](#) [836783-1](#) [MP-4102-25P-C](#) [862256-1](#) [864019-2](#) [866857-1](#) [867865-1](#) [PT01SP-14-18P](#) [PT08P-14-5S](#) [PTSF06SE-14-12S](#)
[120-1833-000](#) [QCM019PC2DC012B](#) [1-2069279-1](#) [121583-0217](#) [121667-0020](#) [129591AU](#) [1000B BULK](#) [RD10A16-19-P6CS051/1](#)
[RD10A20-31-P8CS051/1](#) [RD16A14-12-S6CS051/2](#) [1301240290](#) [1301240347](#) [1301860202](#)