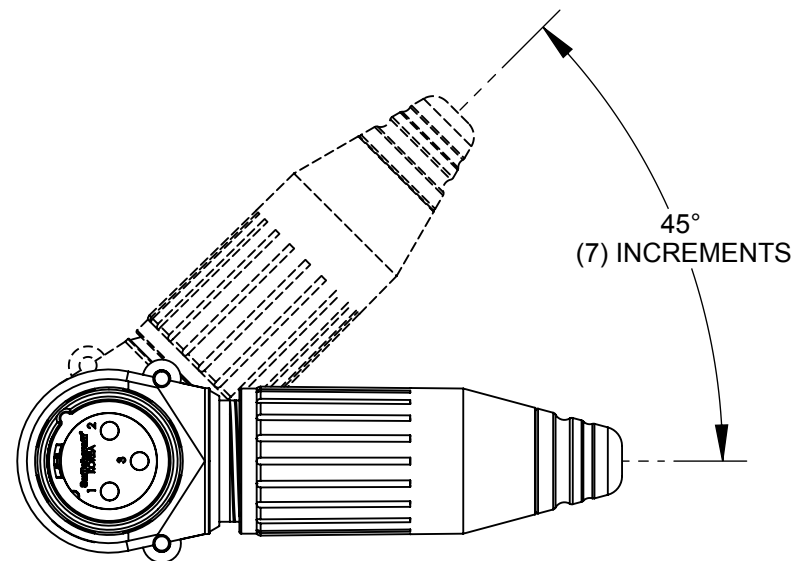
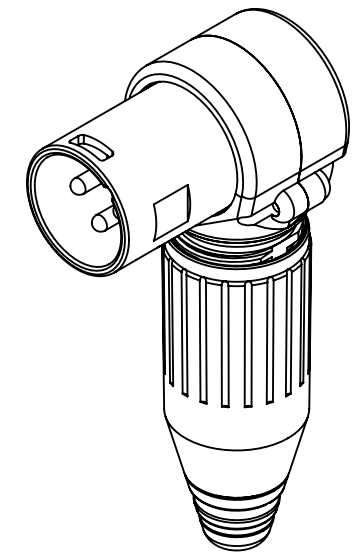
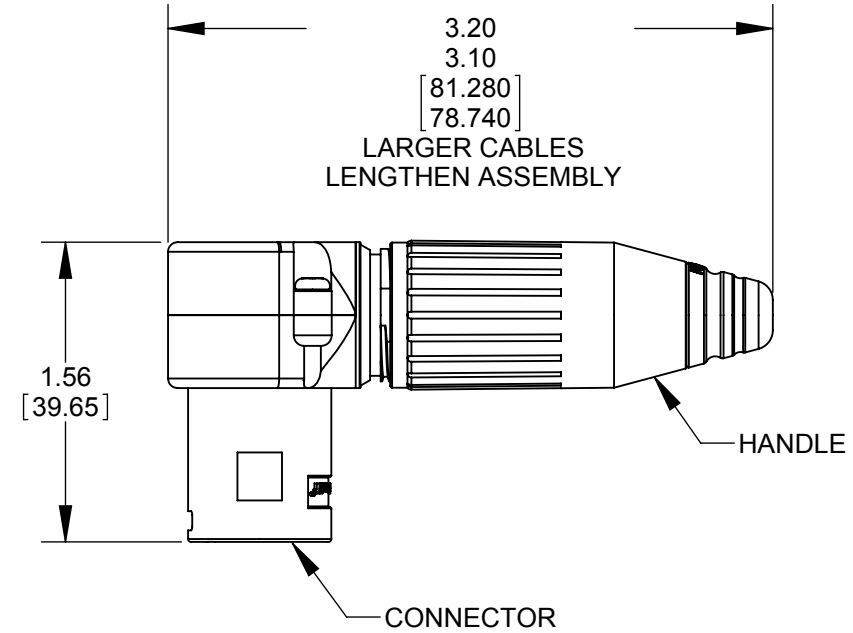
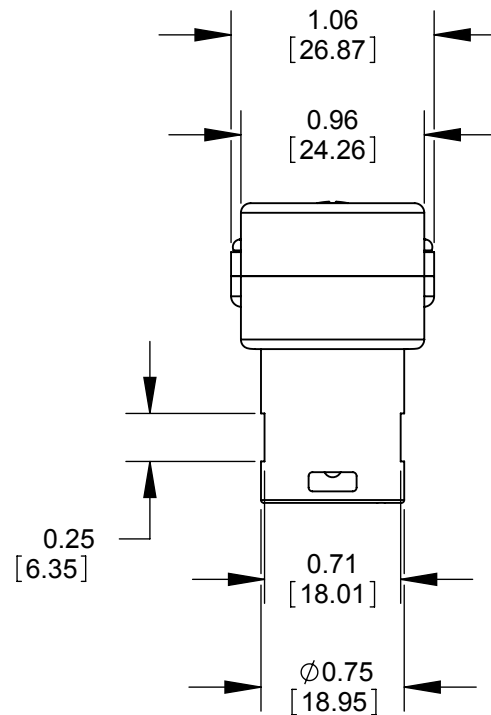


CONTACT ARRANGEMENT
(SHOWN ARE FRONT VIEWS OF MALE CONNECTORS)



R3MZ SHOWN



NOTE:

- HANDLE AND CONNECTOR SHIPPED UNASSEMBLED.
- MATERIALS:
HANDLE AND HOUSING- ZINC ALLOY (SEE TABLE FOR FINISH)
INSULATOR AND FLEX RELIEF - THERMOPLASTIC
CONTACTS - COPPER ALLOY (SEE TABLE FOR FINISH)
SCREWS - STEEL, FINISH SAME AS CONNECTOR
- THIS PRODUCT IS RoHS COMPLIANT.

CUSTOMER DRAWING

PART NUMBER	CONTACTS		CONNECTOR	HANDLE
	QTY	FINISH		
R3MZ	3	SILVER	NICKEL	NICKEL
R3MBZ	3	SILVER	BLACK	BLACK
R3MBAUZ	3	GOLD	BLACK	BLACK
R4MZ	4	SILVER	NICKEL	NICKEL
R4MBZ	4	SILVER	BLACK	BLACK
R4MBAUZ	4	GOLD	BLACK	BLACK
R5MZ	5	SILVER	NICKEL	NICKEL
R5MBZ	5	SILVER	BLACK	BLACK
R5MBAUZ	5	GOLD	BLACK	BLACK
R6MZ	6	SILVER	NICKEL	NICKEL
R6MBZ	6	SILVER	BLACK	BLACK
R6MBAUZ	6	GOLD	BLACK	BLACK
R7MZ	7	SILVER	NICKEL	NICKEL
R7MBZ	7	SILVER	BLACK	BLACK
R7MBAUZ	7	GOLD	BLACK	BLACK

REV	ECO NUMBER	DATE	BY	APVD
C	24636	12-10-03	RS	TJK
B	24577	10-27-03	JL	BRH
A	24446	8-12-03	JL	BRH

★ STAR SYMBOL DENOTES CRITICAL DIMENSION

UNLESS OTHERWISE SPECIFIED

- ALL DIMENSIONS IN INCHES
- TWO PLACE DECIMALS ±0.01
- THREE PLACE DECIMALS ±0.005
- ANGLES ±1°
- ALL DIA. CONCENTRIC WITHIN 0.005 T.I.R.
- FEATURES ON THE SAME CENTERLINE MUST BE ALIGNED WITHIN ±0.002
- REMOVE ALL BURRS

DO NOT SCALE DRAWING

THIS DRAWING DESCRIBES A DESIGN CONSIDERED PROPRIETARY IN NATURE, DEVELOPED AND MANUFACTURED BY SWITCHCRAFT INC. AND IS RELEASED ON A CONFIDENTIAL BASIS FOR IDENTIFICATION PURPOSES ONLY.									
SIZE	WIDTH	MULT	LBS/M	TEMPER					
FINISH		MATERIAL							
SPEC No.		SPEC No.							
FIRST USED ON			SCALE						
			1:1						
DATE DRAWN	BY	CHKD	APVD						
3-11-03	BRH	BRH	BRH						
		8-12-04	8-12-04						
NAME				PART No.		REV			
MALE RIGHT ANGLE, RoHS				R_MZ_SERIES		C			

X-ON Electronics

Largest Supplier of Electrical and Electronic Components

Click to view similar products for [XLR Connectors](#) category:

Click to view products by [Switchcraft](#) manufacturer:

Other Similar products are found below :

[707-0300](#) [A3F01](#) [A3M01](#) [QGP3F](#) [HA16PRM-3SG\(71\)](#) [AA3FL](#) [AAA4FWZ](#) [AAA4MWZ](#) [AC5FPZB](#) [AC6AFDZV](#) [D4FB](#) [DE4MW](#)
[E3MBAUSW](#) [99.265.0400.0](#) [A3F04](#) [AC3FG](#) [AC4-FCP](#) [AQG4F](#) [2504FP](#) [R6MZ](#) [3FD-V-I-B](#) [3MD-V-I-B](#) [TA01](#) [TA3MWX](#) [TA5MLWX](#)
[TRASM4M1X](#) [TRASM7M1X](#) [ML1](#) [TS05TS](#) [3FD-L-I-\(O\)](#) [D6FDB](#) [DB25FTRS](#) [DHNF-BAG-MAD](#) [DHNF-BAG-O](#) [DHNM-BAG](#)
[XLRF05TRS](#) [XLRM05XLRFB](#) [XLRM05XLRFB](#) [XLRM10XLRFB](#) [E3FBAUSW](#) [E3FSW](#) [E3MSW](#) [SR03](#) [TA4FLWX](#) [TA6FLWX](#)
[TRAPC8M1X](#) [TRASM6M1X](#) [TRS10TRS](#) [TRSF05XLRM](#) [TRSF10XLRM](#)