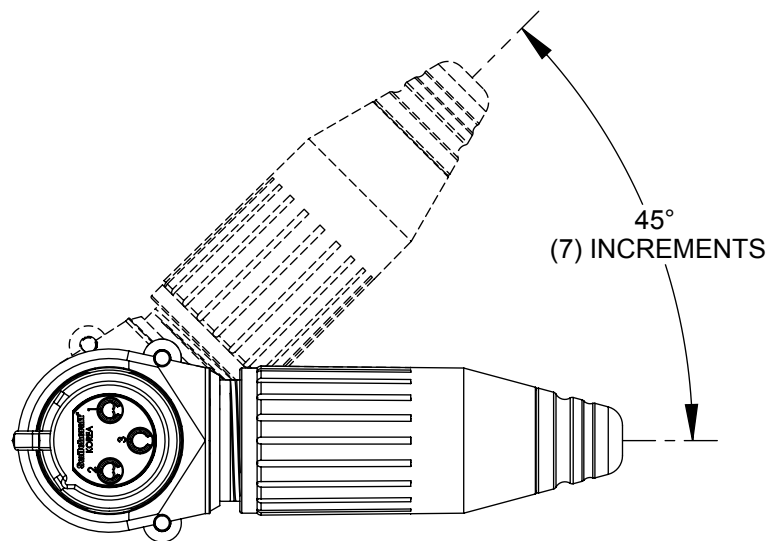
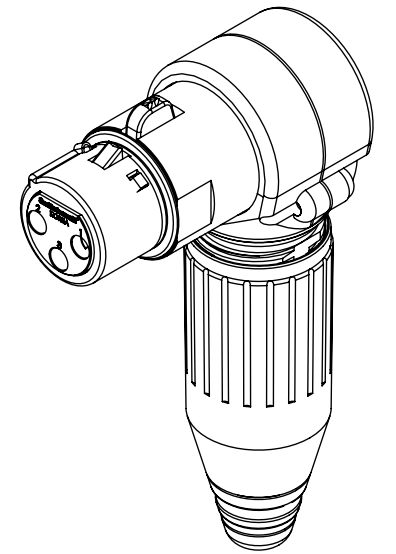
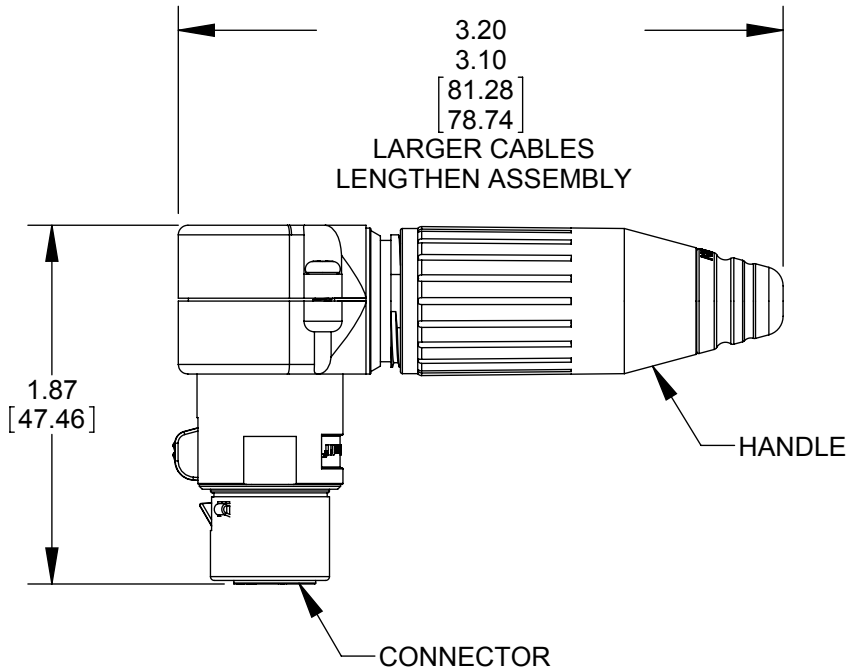
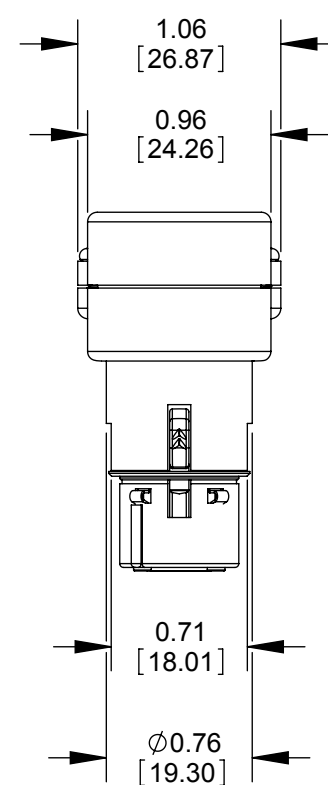


CONTACT ARRANGEMENT
(SHOWN ARE FRONT VIEWS OF FEMALE CONNECTORS)



R3FZ SHOWN

PART NUMBER	CONTACTS		CONNECTOR	HANDLE
	QTY	FINISH		
R3FZ	3	SILVER	NICKEL	NICKEL
R3FBZ	3	SILVER	BLACK	BLACK
R3FBAUZ	3	GOLD	BLACK	BLACK
R4FZ	4	SILVER	NICKEL	NICKEL
R4FBZ	4	SILVER	BLACK	BLACK
R4FBAUZ	4	GOLD	BLACK	BLACK
R5FZ	5	SILVER	NICKEL	NICKEL
R5FBZ	5	SILVER	BLACK	BLACK
R5FBAUZ	5	GOLD	BLACK	BLACK
R6FZ	6	SILVER	NICKEL	NICKEL
R6FBZ	6	SILVER	BLACK	BLACK
R6FBAUZ	6	GOLD	BLACK	BLACK
R7FZ	7	SILVER	NICKEL	NICKEL
R7FBZ	7	SILVER	BLACK	BLACK
R7FBAUZ	7	GOLD	BLACK	BLACK



NOTE:

- HANDLE AND CONNECTOR SHIPPED UNASSEMBLED.
- MATERIALS:
HANDLE, HOUSING, AND LATCH - ZINC ALLOY (SEE TABLE FOR FINISH)
INSULATOR AND FLEX RELIEF - THERMOPLASTIC
SOCKET CONTACTS - COPPER ALLOY (SEE TABLE FOR FINISH)
SCREWS - STEEL, FINISH SAME AS CONNECTOR
- THIS PRODUCT IS RoHS COMPLIANT.

CUSTOMER DRAWING

					☆ STAR SYMBOL DENOTES CRITICAL DIMENSION	THIS DRAWING DESCRIBES A DESIGN CONSIDERED PROPRIETARY IN NATURE, DEVELOPED AND MANUFACTURED BY SWITCHCRAFT INC. AND IS RELEASED ON A CONFIDENTIAL BASIS FOR IDENTIFICATION PURPOSES ONLY.				
					UNLESS OTHERWISE SPECIFIED	SIZE	WIDTH	MULT	LBS/M	TEMPER
					1. ALL DIMENSIONS IN INCHES - TWO PLACE DECIMALS ±0.01 - THREE PLACE DECIMALS ±0.005 - ANGLES ±1° - ALL DIA. CONCENTRIC WITHIN 0.005 T.I.R.	FINISH		MATERIAL		
					2. FEATURES ON THE SAME CENTERLINE MUST BE ALIGNED WITHIN ±0.002	SPEC No.		SPEC No.		
					3. REMOVE ALL BURRS	FIRST USED ON		SCALE 1:1		
C	24636	2-19-04	RS	TJK	DATE DRAWN		BY	CHKD	APVD	Switchcraft [®]
B	24577	10-27-03	JL	BRH	3-11-03	BRH	BRH	BRH	BRH	
A	24446	8-12-03	JL	BRH	NAME		FEMALE RIGHT ANGLE, RoHS			SHEET 1 OF 1
REV	ECO NUMBER	DATE	BY	APVD	DO NOT SCALE DRAWING		PART No.			REV
REVISIONS					FEMALE RIGHT ANGLE, RoHS		R_FZ_SERIES			C

X-ON Electronics

Largest Supplier of Electrical and Electronic Components

Click to view similar products for [XLR Connectors](#) category:

Click to view products by [Switchcraft](#) manufacturer:

Other Similar products are found below :

[707-0300](#) [A3F01](#) [A3M01](#) [QGP3F](#) [HA16PRM-3SG\(71\)](#) [AA3FL](#) [AAA4FWZ](#) [AAA4MWZ](#) [AC5FPZB](#) [AC6AFDZV](#) [D4FB](#) [DE4MW](#)
[E3MBAUSW](#) [99.265.0400.0](#) [A3F04](#) [AC3FG](#) [AC4-FCP](#) [AQG4F](#) [2504FP](#) [R6MZ](#) [3FD-V-I-B](#) [3MD-V-I-B](#) [TA01](#) [TA3MWX](#) [TA5MLWX](#)
[TRASM4M1X](#) [TRASM7M1X](#) [ML1](#) [TS05TS](#) [3FD-L-I-\(O\)](#) [D6FDB](#) [DB25FTRS](#) [DHNFBAG-MAD](#) [DHNFBAG-O](#) [DHNMBAG](#)
[XLRF05TRS](#) [XLRM05XLRFB](#) [XLRM05XLRFB](#) [XLRM10XLRFB](#) [E3FBAUSW](#) [E3FSW](#) [E3MSW](#) [SR03](#) [TA4FLWX](#) [TA6FLWX](#)
[TRAPC8M1X](#) [TRASM6M1X](#) [TRS10TRS](#) [TRSF05XLRM](#) [TRSF10XLRM](#)