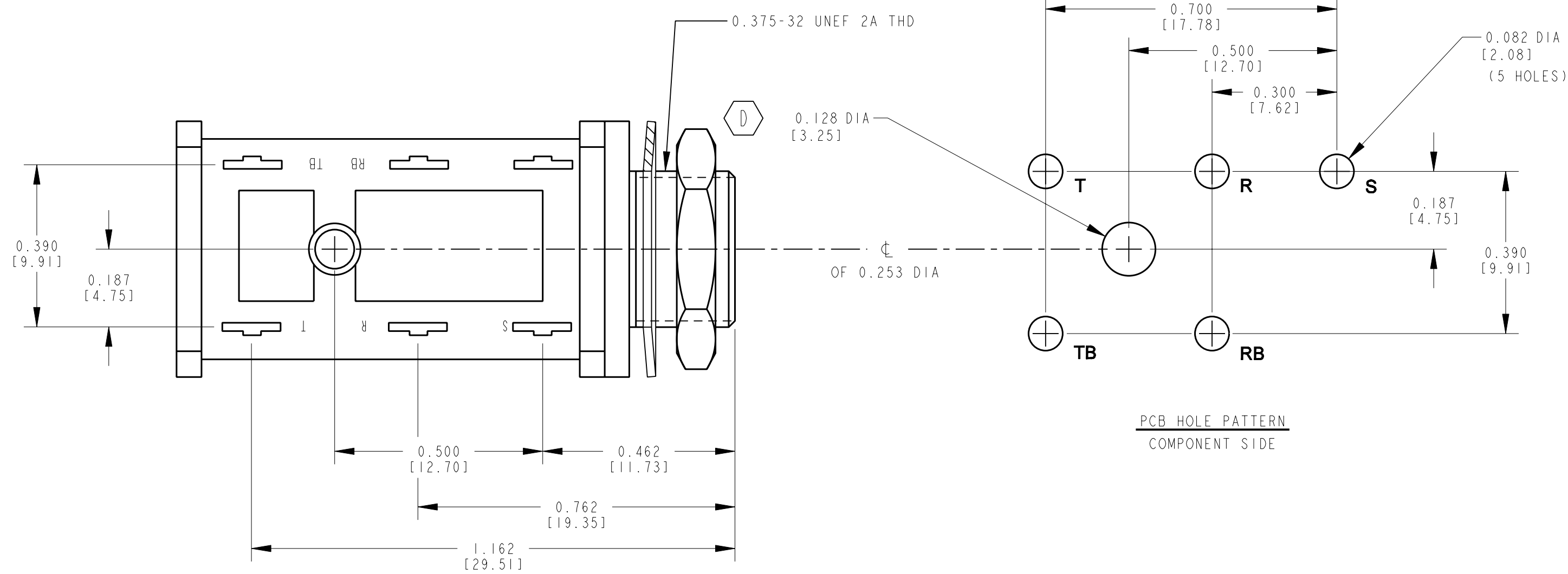


**MATERIAL SPECIFICATIONS**  
 HOUSING: BLACK THERMOPLASTIC  
 POLYESTER, 94V0  
 CONTACT SPRINGS: TIN PLATED  
 SPRING TEMP. NICKEL SILVER.  
 HARDWARE: NICKEL PLATED BRASS.

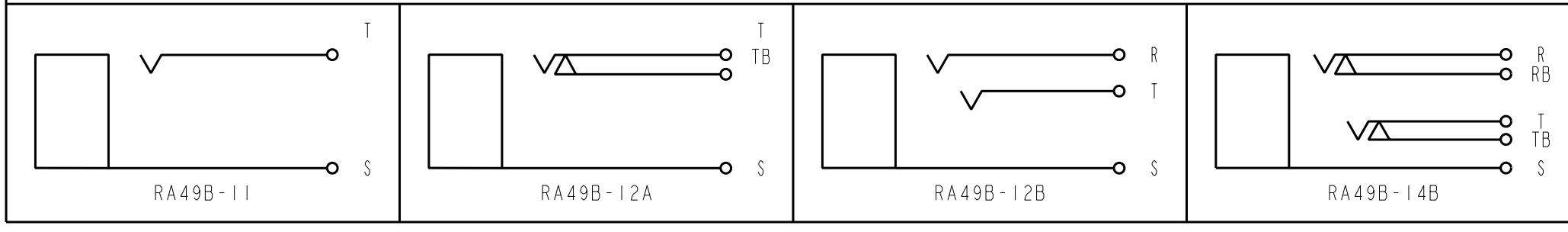


PCB HOLE PATTERN  
 COMPONENT SIDE

CUSTOMER DRAWING

CAD/CAM DWG. NO.  
 s.ra49b\_cd  
 SHEET 1 OF 1

SCHMATIC



REVISIONS				DO NOT SCALE DRAWING					
ISSUE	CHANGE NO.	DATE	BY	APP'D	SIZE	WIDTH	MULT	LBS./M	TEMPER
E	ECO #19704	3-24-95	RC	GHJ					
D	ECO#15763	2-16-90	LR	VL					
C	ECO 15105	10-11-89	TW	VL					
B	RELEASED TO PROD	4-21-89	RLD	AS					
0A	PRELIM CUST DWG	3-11-88	RLD						

UNLESS OTHERWISE SPECIFIED				THIS DRAWING DESCRIBES A DESIGN CONSIDERED PROPRIETARY IN NATURE, DEVELOPED AND MANUFACTURED BY SWITCHCRAFT INC. AND IS RELEASED ON A CONFIDENTIAL BASIS FOR IDENTIFICATION PURPOSE ONLY.			
FINISH				SCALE			
SPEC. NO.				1 = 0.25			
FIRST USED ON				DATE			
DATE DRAWN				BY			
3-11-88				RLD			
CHK'D				APP'D			
VL				AS			
5-1-89				5-2-89			
NAME				PART NO.			
JACK ASSY				RA49B-SER			
(INSULATED BUSHING)				ISSUE			
				E			



## X-ON Electronics

Largest Supplier of Electrical and Electronic Components

*Click to view similar products for [Phone Connectors](#) category:*

*Click to view products by [Switchcraft](#) manufacturer:*

Other Similar products are found below :

[M444B](#) [6J1041A](#) [R4F](#) [E12BPKG](#) [ECP4PKG](#) [161-3502L-E](#) [MT333X](#) [171-0350-EX](#) [171-101A-EX](#) [171-3325-EX](#) [176S](#) [NC3MG-V](#)  
[NS112BX](#) [NYS228G](#) [P10834](#) [P2380](#) [P2381X](#) [P2411X](#) [P2412](#) [P2724](#) [JM2PB-AU BULK](#) [9144](#) [S2674](#) [280L](#) [163-158N-2-E](#) [171-3308-EX](#)  
[171-3500-E](#) [2501FT](#) [CMT335](#) [M10662](#) [330Q](#) [RJ5VI-S](#) [40116](#) [TM1R-AU](#) [TM2PBMJ-AU](#) [TM2PJ-AU](#) [TM2PJ-AU BULK](#) [4803.1351](#)  
[49201](#) [49205](#) [TS3PBJ-AU](#) [TS3PBMJ-AU](#) [TT32BX](#) [54B](#) [C55BX](#) [40112](#) [40205](#) [415](#) [XMT332B](#) [52170017-331](#)