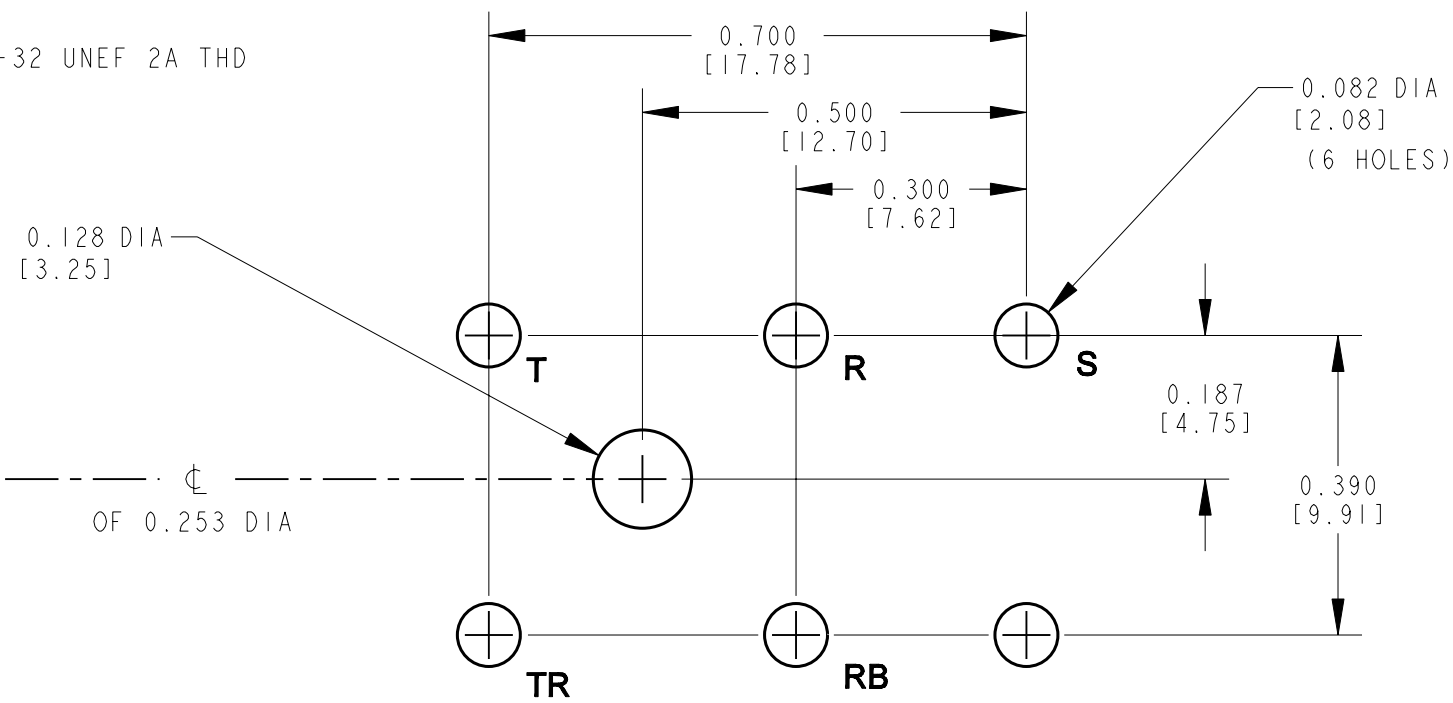
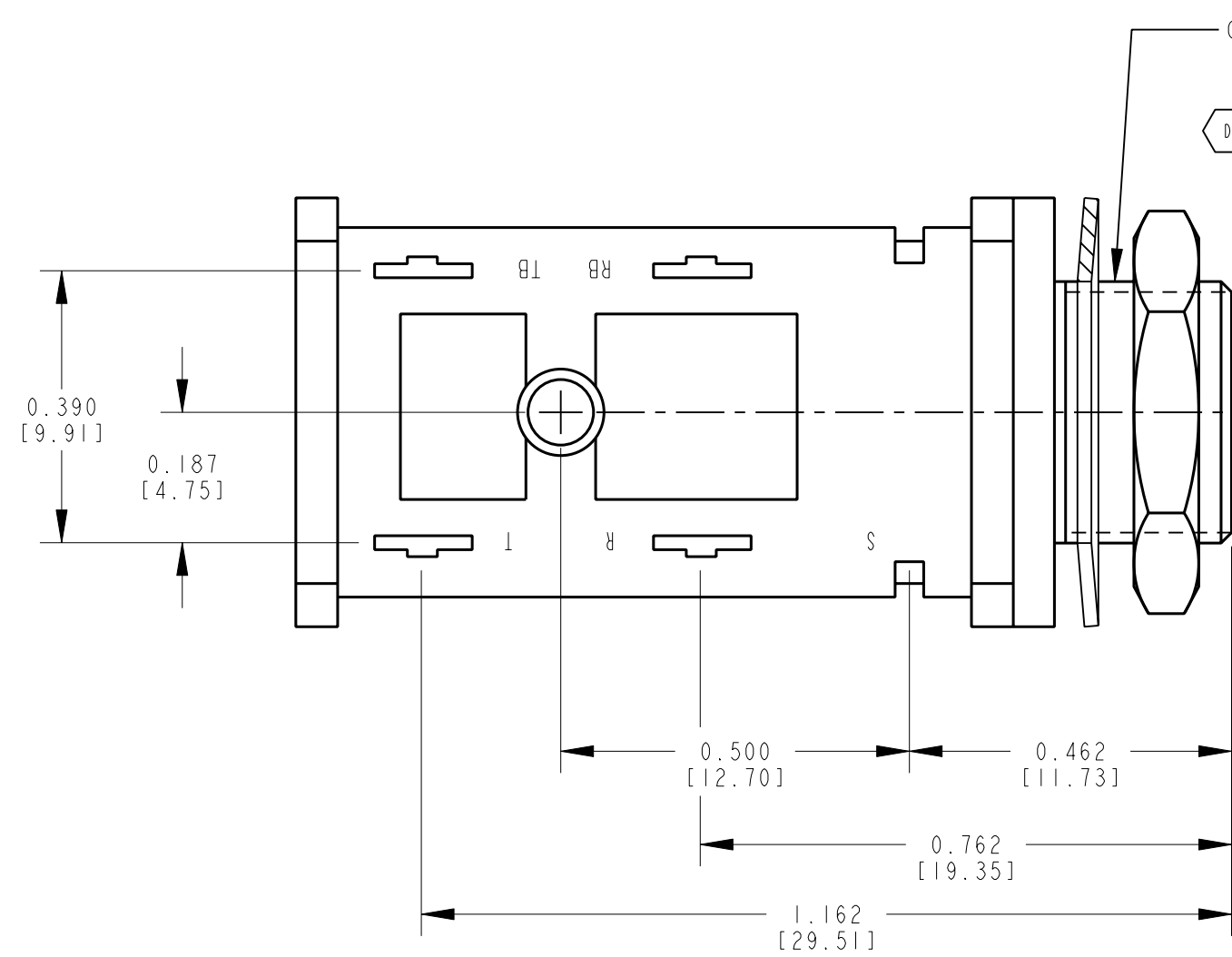


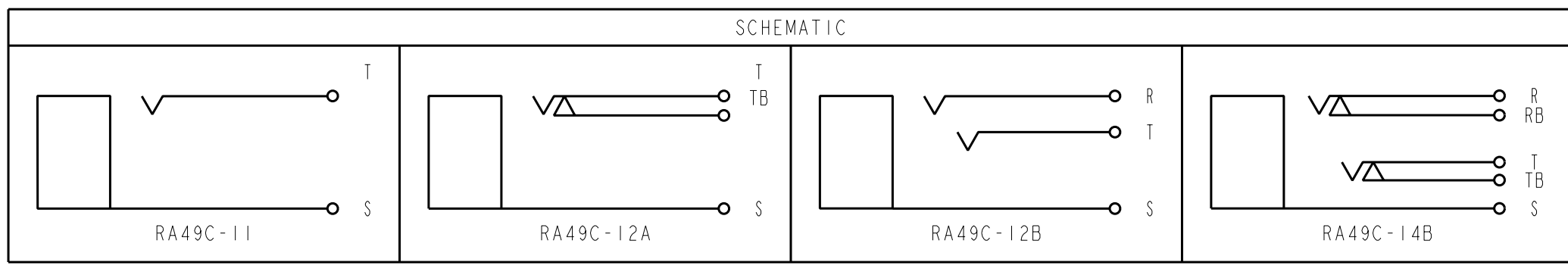
MATERIAL SPECIFICATIONS
 HOUSING: BLACK THERMOPLASTIC POLYESTER, 94V0
 CONTACT SPRINGS: TIN PLATED SPRING TEMP. NICKEL SILVER.
 HARDWARE: NICKEL PLATED BRASS.
 METAL BUSHING: NICKEL PLATED BRASS
 SLEEVE SPRING: TINNED PHOS. BRONZE.



PCB HOLE PATTERN
 COMPONENT SIDE

CUSTOMER DRAWING

CAD/CAM DWG. NO.
 s.ra49c_cd
 SHEET 1 OF 1



ECO #19930				8-17-95	DA	TAO	★ STAR SYMBOL DENOTES CRITICAL DIMENSION. SEE S/C ENGINEERING STANDARD ES-0001				THIS DRAWING DESCRIBES A DESIGN CONSIDERED PROPRIETARY IN NATURE, DEVELOPED AND MANUFACTURED BY SWITCHCRAFT INC. AND IS RELEASED ON A CONFIDENTIAL BASIS FOR IDENTIFICATION PURPOSE ONLY.				
ECO #19704				3-24-95	RC	GHJ	UNLESS OTHERWISE SPECIFIED				SIZE	WIDTH	MULT	LBS./M	TEMPER
ECO #15763				2-16-90	LR	VL	1. ALL DIMENSIONS IN INCHES				FINISH		MATERIAL		
ECO 15105				10-12-89	TW	VL	2. DECIMAL DIMENSIONS ±.005				SPEC. NO.		SPEC. NO.		
RELEASED TO PROD				4-21-89	RLD	AS	3. FRACTIONAL DIMENSIONS ±1/64				FIRST USED ON		SCALE		
PRELIM CUST DWG				4-15-88	RLD		4. ANGLES ±1/2°				DATE DRAWN	BY	CHK'D	APP'D	
ISSUE				CHANGE NO.	DATE	BY	APP'D	5. ALL DIA'S CONCENTRIC WITHIN .005 T.I.R.				4-15-88	RLD	VL	AS
								6. REMOVE ALL BURRS				NAME		PART NO.	
								7. MAKE NO DIMENSIONAL ALLOWANCES FOR APPLIED FINISHES, I.E., PLATING, PAINTING, ETC.				JACK ASSEMBLY (METAL BUSHING)		RA49C-SER F	
								8. HOLES ON THE SAME CENTERLINE MUST BE ALIGNED WITHIN ±.002						ISSUE	
								DO NOT SCALE DRAWING						F	



X-ON Electronics

Largest Supplier of Electrical and Electronic Components

Click to view similar products for [Phone Connectors](#) category:

Click to view products by [Switchcraft](#) manufacturer:

Other Similar products are found below :

[M444B](#) [6J1041A](#) [R4F](#) [E12BPKG](#) [ECP4PKG](#) [161-3502L-E](#) [MT333X](#) [171-0350-EX](#) [171-101A-EX](#) [171-3325-EX](#) [176S](#) [NC3MG-V](#)
[NS112BX](#) [NYS228G](#) [P10834](#) [P2380](#) [P2381X](#) [P2411X](#) [P2412](#) [P2724](#) [JM2PB-AU BULK](#) [9144](#) [S2674](#) [280L](#) [163-158N-2-E](#) [171-3308-EX](#)
[171-3500-E](#) [2501FT](#) [CMT335](#) [M10662](#) [330Q](#) [RJ5VI-S](#) [40116](#) [TM1R-AU](#) [TM2PBMJ-AU](#) [TM2PJ-AU](#) [TM2PJ-AU BULK](#) [4803.1351](#)
[49201](#) [49205](#) [TS3PBJ-AU](#) [TS3PBMJ-AU](#) [TT32BX](#) [54B](#) [40112](#) [40205](#) [415](#) [XMT332B](#) [52170017-331](#) [570](#)