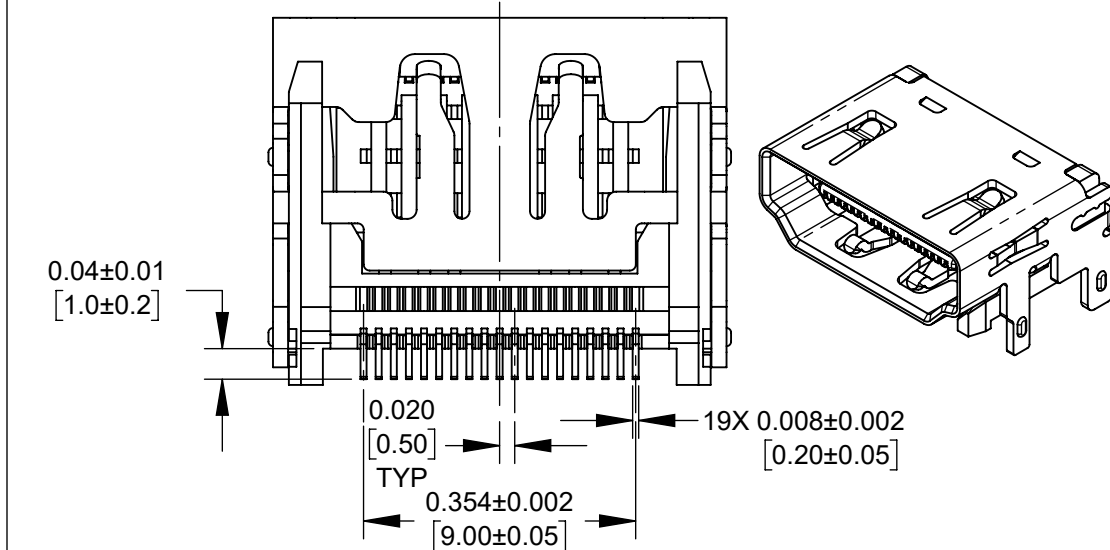


**RECOMMENDED PCB LAYOUT
COMPONENT SIDE**
UNSPECIFIED TOLERANCES ±0.002 [0.05]

- NOTES:
- PARTS SUPPLIED ON TAPE AND REEL.
REEL SIZE ϕ 13.0 [330] PLASTIC, 350 PARTS PER REEL
TAPE CONFORMS TO ANSI/EIA-481
 - MATERIALS:
HOUSING - BLACK LCP
SHELL - BRASS, NICKEL PLATED
CONTACTS - BRASS, GOLD FLASH IN CONTACT AREA, TIN IN SOLDER AREA
 - ELECTRICAL CHARACTERISTICS:
CURRENT RATING - 0.5 AMP
VOLTAGE RATING - 40V
 - MECHANICAL CHARACTERISTICS:
INSERTION FORCE - 4.5Kgf MAX
WITHDRAWAL FORCE - 1.0~1.4 Kgf (INITIAL)
LIFE TEST - 5,000 CYCLES
OPERATING TEMPERATURE -25°C TO +85°C
 - THIS PRODUCT IS RoHS COMPLIANT.

CUSTOMER DRAWING



REV	ECO NUMBER	DATE	BY	APVD
A	28330	10/22/20	PC	TJK

REVISIONS

UNLESS OTHERWISE SPECIFIED

1. ALL DIMENSIONS IN INCHES [mm]
- TWO PLACE DECIMALS ±0.02 [0.5]
- THREE PLACE DECIMALS ±0.005 [0.13]

DO NOT SCALE DRAWING

THIS DRAWING DESCRIBES A DESIGN CONSIDERED PROPRIETARY IN NATURE, DEVELOPED AND MANUFACTURED BY SWITCHCRAFT INC. AND IS RELEASED ON A CONFIDENTIAL BASIS FOR IDENTIFICATION PURPOSES ONLY.									
SIZE	WIDTH	MULT	LBS/M	TEMPER					
FINISH SPEC No.					MATERIAL SPEC No.				
FIRST USED ON					SCALE 4:1				
DATE DRAWN	BY	CHKD	APVD						
8/4/20	FM	FM	TJK						
			8/4/20	8/27/20					
NAME HDMI TYPE A CONNECTOR, RIGHT ANGLE FEMALE SMT, RoHS								PART No. RAHHD19TR	
								REV A	

X-ON Electronics

Largest Supplier of Electrical and Electronic Components

Click to view similar products for [HDMI, Displayport & DVI Connectors](#) category:

Click to view products by [SWITCHCRAFT](#) manufacturer:

Other Similar products are found below :

[1775247-3](#) [2-1932649-5](#) [30-1231](#) [30-528](#) [2069485-1](#) [30-504](#) [30-519](#) [30-542](#) [47648-2000](#) [2002-400](#) [769-103/021-000](#) [1932649-1](#) [233-368NFG6-17NH](#) [PJ-210A](#) [PJ-35825](#) [6321-026RDS1MWA02](#) [FDB0901-M0DB300K6KF](#) [3VD51203-3D6A-7H](#) [DV11201-H5R6-4F](#) [RPI-16337](#) [CC-MDPM-VGAM-6](#) [RPI-16338](#) [CCB-HDMIL-1.5M](#) [CCB-HDMIL-1M](#) [CCB-HDMIL-2M](#) [CCB-HDMIL-3M](#) [CCB-HDMIL-5M](#) [CCB-HDMIL-7.5M](#) [CCBP-HDMI-10M](#) [CCBP-HDMI-1M](#) [CCBP-HDMI-2M](#) [CCBP-HDMI-3M](#) [CCBP-HDMI-5M](#) [CCBP-HDMI-7.5M](#) [CCBP-HDMI8K-1M](#) [CCBP-HDMI8K-2M](#) [CCBP-HDMI8K-3M](#) [AK-AV-02](#) [AK-AV-03](#) [AK-AV-05](#) [AK-AV-11](#) [AK-AV-13](#) [AK-AV-15](#) [CCP-MDP2-6](#) [CCP-MDPMDP2-6](#) [AK-HD-05A](#) [AK-HD-100A](#) [AK-HD-100P](#) [AK-HD-15A](#) [AK-HD-15P](#)