

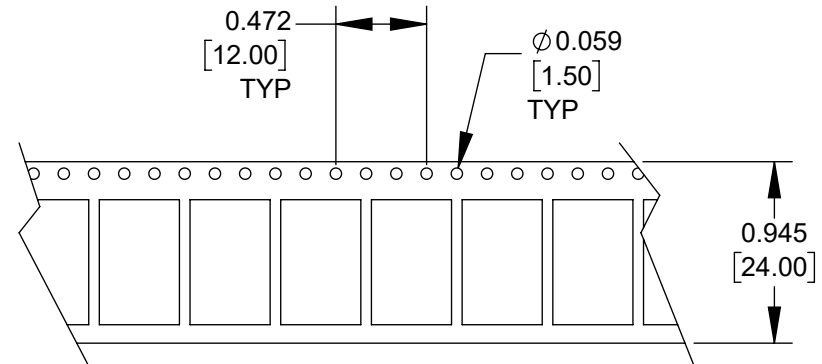
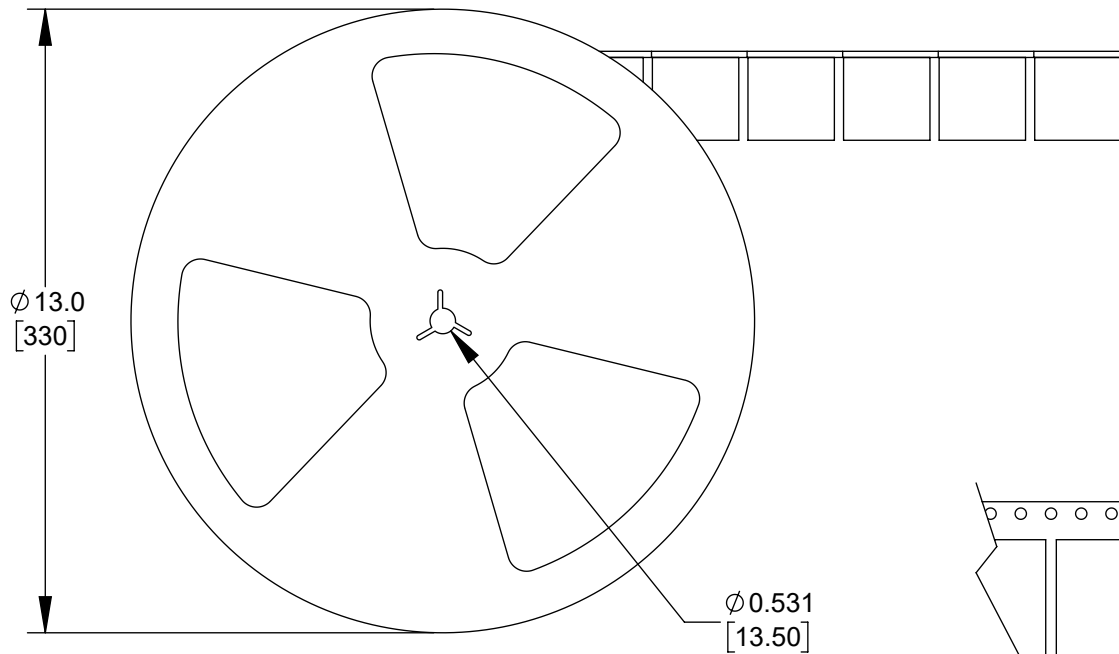
RECOMMENDED PCB LAYOUT (COMPONENT SIDE)
SCALE 12 : 1

CUSTOMER DRAWING

NOTES:

- MATERIALS:
HOUSING - THERMOPLASTIC, BLACK
TERMINALS - COPPER ALLOY, GOLD PLATED
SHELL - STAINLESS STEEL, NICKEL PLATED
HOOK - STAINLESS STEEL, NICKEL PLATED
- ELECTRICAL CHARACTERISTICS:
CONTACT RESISTANCE - 30mΩ MAX
INSULATION RESISTANCE - 100MΩ MIN
CURRENT RATING - 0.5A
WITHSTANDING VOLTAGE- 250V AC
- OPERATING TEMPERATURE - -30°C TO +80°C
- THIS PART IS RoHS COMPLIANT.

UNLESS OTHERWISE SPECIFIED					THIS DRAWING DESCRIBES A DESIGN CONSIDERED PROPRIETARY IN NATURE, DEVELOPED AND MANUFACTURED BY SWITCHCRAFT INC. AND IS RELEASED ON A CONFIDENTIAL BASIS FOR IDENTIFICATION PURPOSES ONLY.				
1. ALL DIMENSIONS IN INCHES [mm]					SIZE	WIDTH	MULT	LBS/M	TEMPER
- TWO PLACE DECIMALS ±0.02 [0.5]					FINISH				MATERIAL
- THREE PLACE DECIMALS ±0.005 [0.13]					SPEC No.				SPEC No.
					FIRST USED ON				SCALE 9:1
DATE DRAWN		BY	CHKD	APVD	DATE DRAWN				BY
8/26/22		MK	10/25/22	10/25/22	8/26/22				MK
REVISIONS					NAME				PART No.
					RIGHT ANGLE SMT				RAHPCUC31AU1TR
					USB TYPE-C® 3.1, RoHS				REV A
					SHEET 1 OF 2				



NOTES:

1. REEL BEGINS AND ENDS WITH APPROXIMATELY 10 EMPTY CAVITIES.
2. EACH REEL TO HOLD 700 PARTS TOTAL.
3. EACH BOX CONTAINS 9 REELS TOTAL FOR 6300 PARTS PER BOX.
4. THIS PART IS RoHS COMPLIANT.

CUSTOMER DRAWING

					THIS DRAWING DESCRIBES A DESIGN CONSIDERED PROPRIETARY IN NATURE, DEVELOPED AND MANUFACTURED BY SWITCHCRAFT INC. AND IS RELEASED ON A CONFIDENTIAL BASIS FOR IDENTIFICATION PURPOSES ONLY.				
					SIZE	WIDTH	MULT	LBS/M	TEMPER
					FINISH			MATERIAL	
					SPEC No.			SPEC No.	
					FIRST USED ON		SCALE		
					-		1:4		
					DATE DRAWN	BY	CHKD	APVD	Switchcraft®
					08/30/22	TS	TS	TS	
					10/25/22			10/25/22	
					SHEET 2			OF 2	
					NAME			PART No.	
					RIGHT ANGLE SMT			RAHPCUC31AU1TR	
					USB TYPE-C® 3.1, RoHS			REV	
								A	
UNLESS OTHERWISE SPECIFIED									
1. ALL DIMENSIONS IN INCHES [mm]									
- TWO PLACE DECIMALS ±0.02 [0.5]									
- THREE PLACE DECIMALS ±0.005 [0.13]									
A	28548	10/26/22	PC	TJK					
REV	ECO NUMBER	DATE	BY	APVD					
REVISIONS					DO NOT SCALE DRAWING				



X-ON Electronics

Largest Supplier of Electrical and Electronic Components

Click to view similar products for [USB Connectors](#) category:

Click to view products by [Switchcraft](#) manufacturer:

Other Similar products are found below :

[950](#) [A-USB A-LP-SMT-C](#) [A-USB B-TOP-C](#) [MUSBD11135](#) [17-200721](#) [217450-1](#) [KMBVX-TH-5S-B30](#) [KUSBX-AS2N-W](#) [KUSBX-SMT2AP1S-W30](#) [935](#) [957](#) [30-498-6](#) [SK-60A-2](#) [1734082-1](#) [30-470](#) [30-489](#) [30-541](#) [MIKROE-1451](#) [USBFTVSCCG](#) [1-1734084-2](#) [10135326-001LF](#) [USB3FTV7APEG](#) [4198](#) [1310-1023-02](#) [690-024-633-031](#) [UB-20PMFP-LC7001](#) [17-200011](#) [UB-20AFMM-LL7A01](#) [1040870124](#) [CAP-WCCMLPB1](#) [2274475-3](#) [UB-20BMFA-SL8001](#) [UB-20BFM-SA7A02](#) [UB-20BFM-SA7A05](#) [914-614A2025S10200](#) [MUSBR-AHD2-M41-SK](#) [ZX40-B-5S-1500-STDA\(30\)](#) [GSB3116344HR](#) [USB3FTV2SAZNF459](#) [USBF21GSCC](#) [U221-041N-1WVS62-F5D](#) [HYCW153-USBD05-500B](#) [HYCW219-USBD05-075B](#) [HYCW148-USBD05-117B](#) [HYCW149-USBD05-740B](#) [HYCW204-USBD05-108B](#) [HYCW214-USBA04-113B](#) [HYCW213-USBA04-113B](#) [UB-20AMFM-SL7A01](#) [KMMX-BSMT35S-1-B30TR](#)