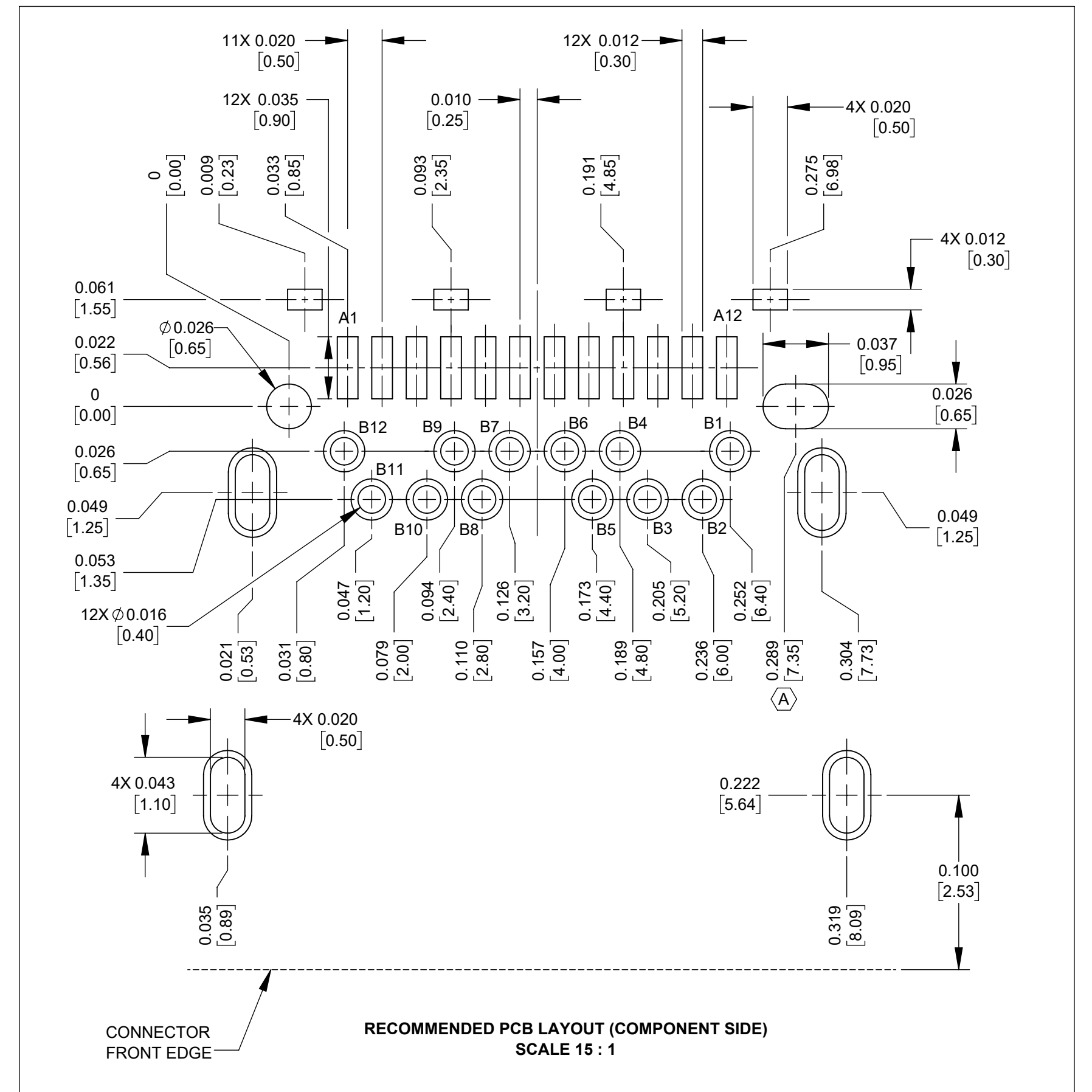
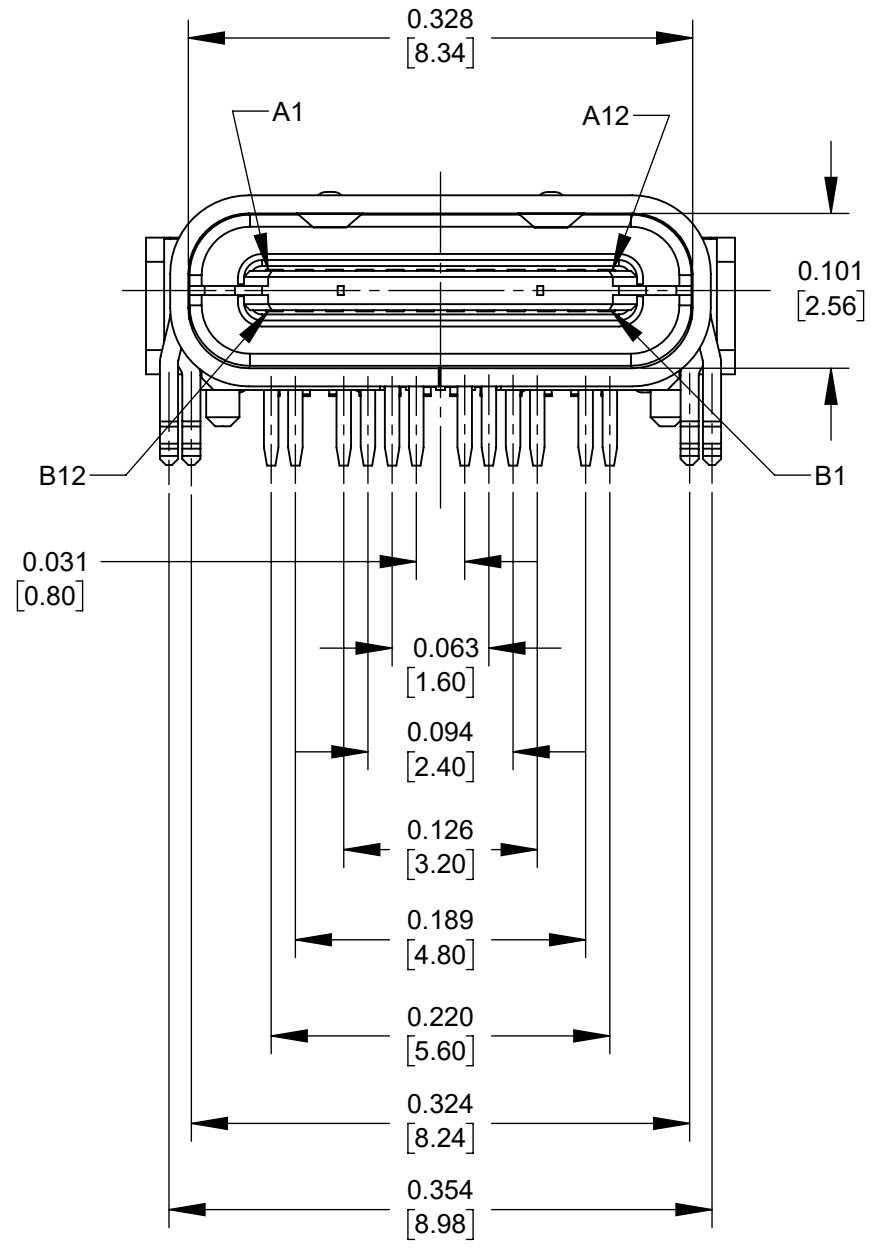
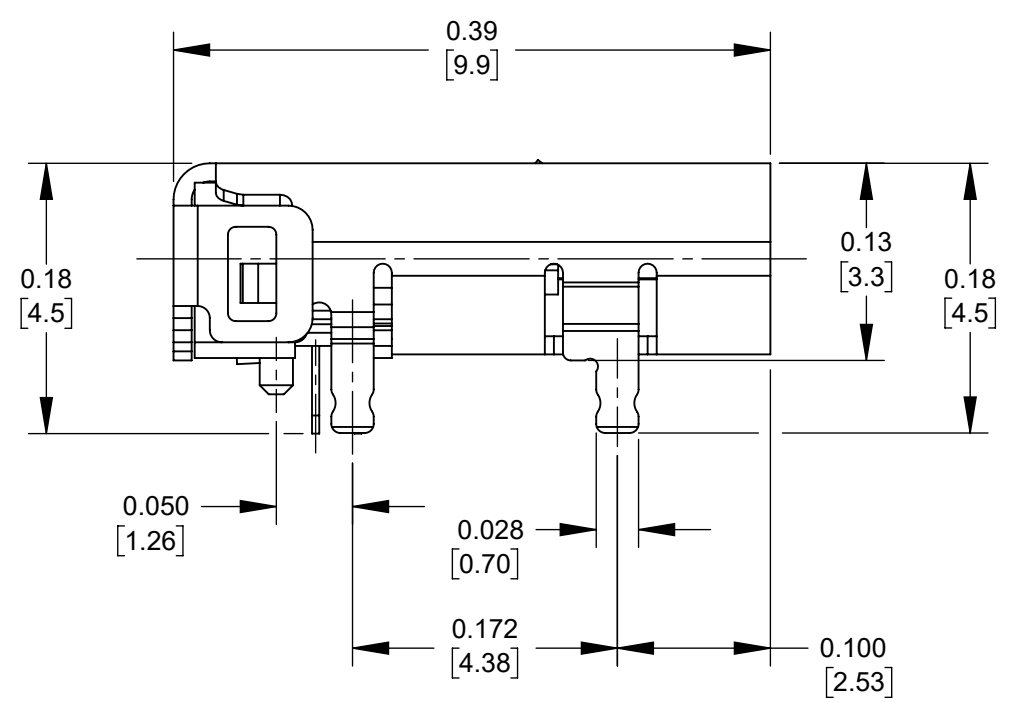
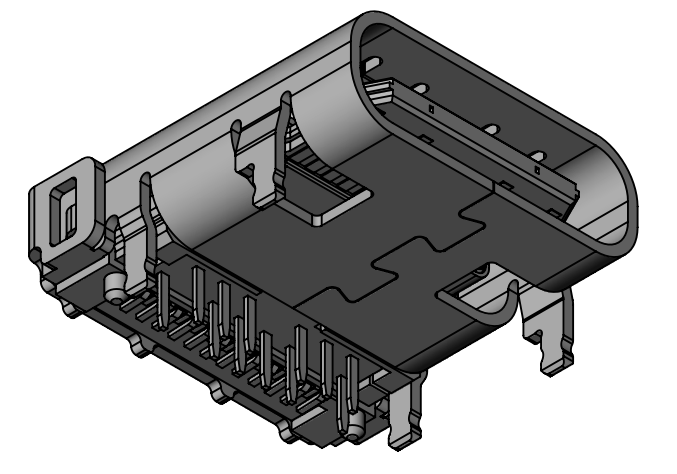
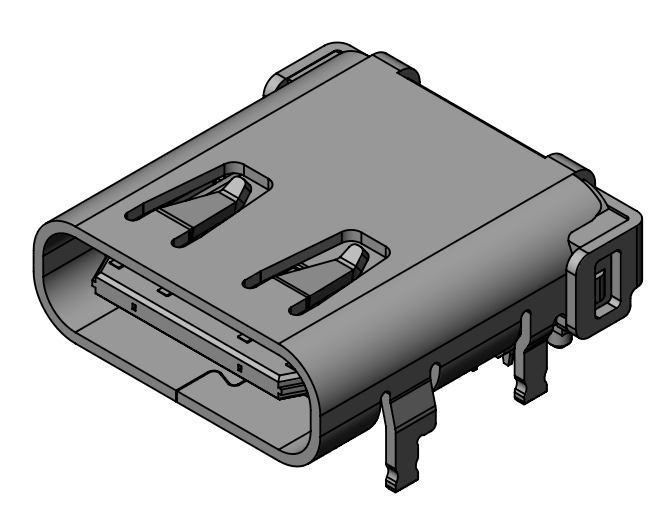
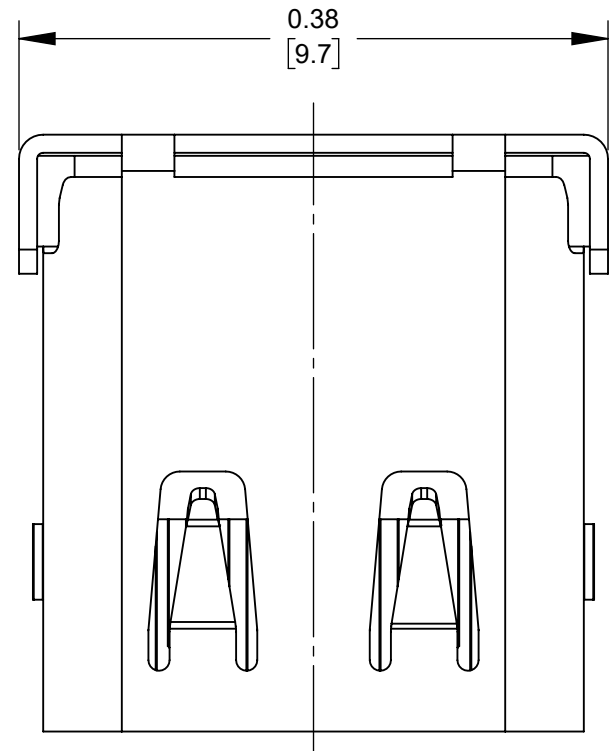
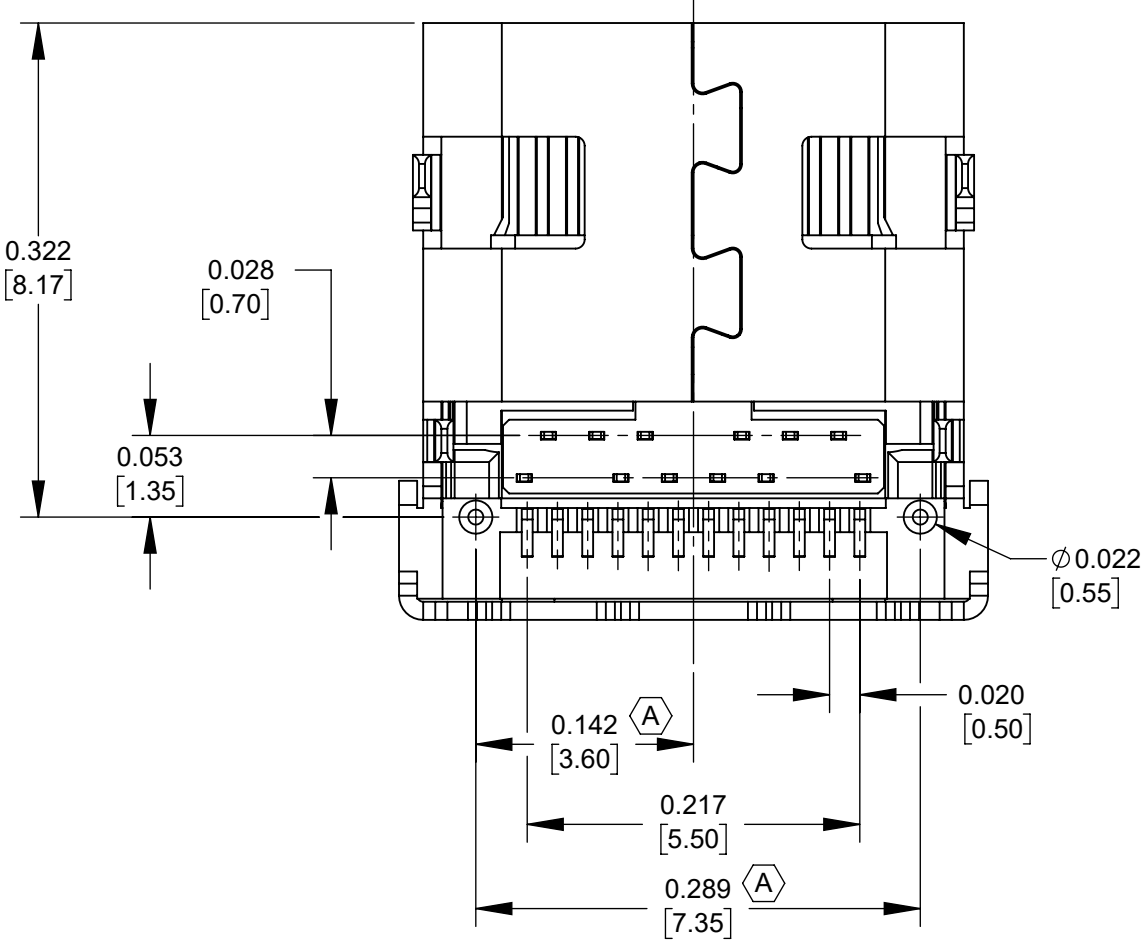


8 7 6 5 4 3 2 1



- NOTES:**
- MATERIALS:**
 HOUSING - THERMOPLASTIC, BLACK
 TERMINALS - COPPER ALLOY, GOLD PLATED
 SHELL - STAINLESS STEEL, NICKEL PLATED
 HOOK - STAINLESS STEEL
 - ELECTRICAL CHARACTERISTICS:**
 CONTACT RESISTANCE - 30mΩ MAX
 INSULATION RESISTANCE - 100MΩ MIN
 CURRENT RATING - 3A
 WITHSTANDING VOLTAGE - 250V AC
 - OPERATING TEMPERATURE - -30°C TO +80°C**
 - THIS PART IS RoHS COMPLIANT.**



REV	ECO NUMBER	DATE	BY	APVD
A	28548	10/26/22	PC	TJK

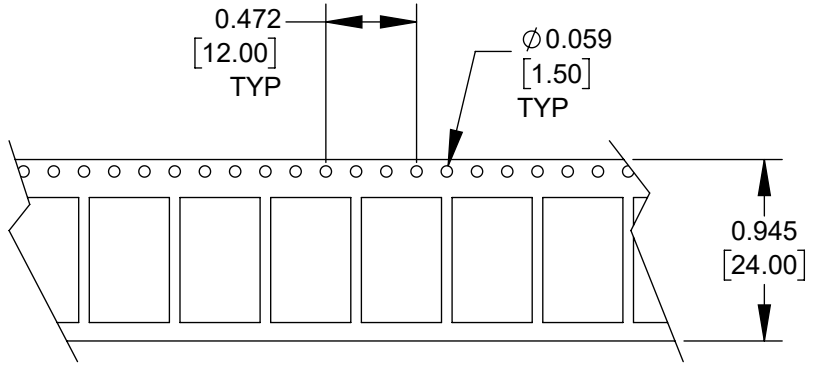
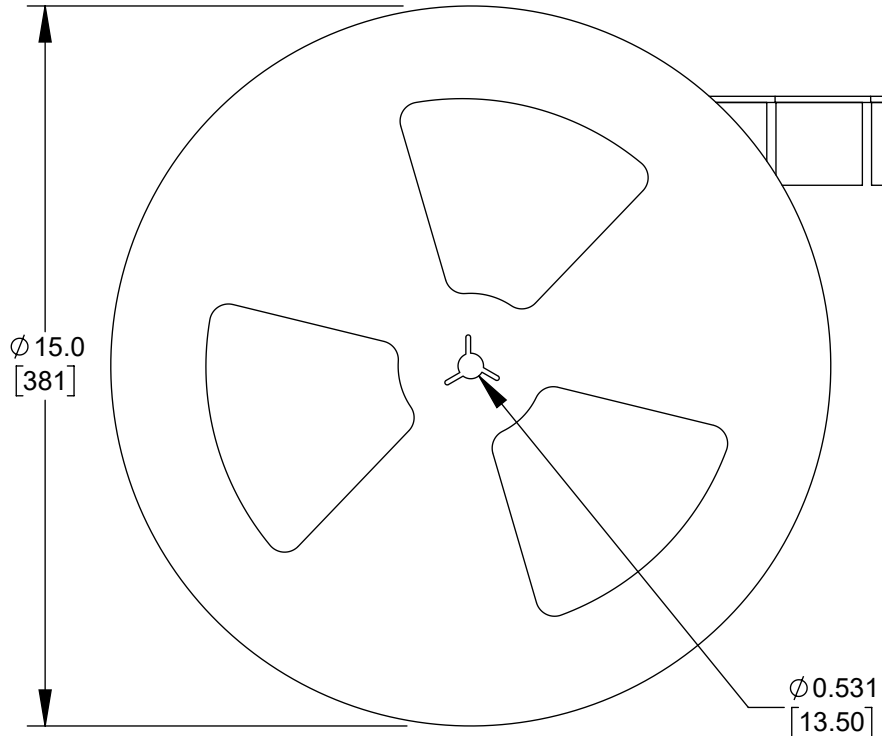
UNLESS OTHERWISE SPECIFIED
 1. ALL DIMENSIONS IN INCHES [mm]
 - TWO PLACE DECIMALS ±0.02 [0.5]
 - THREE PLACE DECIMALS ±0.005 [0.13]

THIS DRAWING DESCRIBES A DESIGN CONSIDERED PROPRIETARY IN NATURE, DEVELOPED AND MANUFACTURED BY SWITCHCRAFT INC. AND IS RELEASED ON A CONFIDENTIAL BASIS FOR IDENTIFICATION PURPOSES ONLY.				
SIZE	WIDTH	MULT	LBS/M	TEMPER
FINISH		MATERIAL		
SPEC No.		SPEC No.		
FIRST USED ON		SCALE		
		8:1		
DATE DRAWN	BY	CHKD	APVD	
8/29/22	MK	10/26/22	10/26/22	
NAME			PART No.	REV
RIGHT ANGLE SMT			RAHPCUC31AUTR	A
USB TYPE-C® 3.1, RoHS				

DO NOT SCALE DRAWING
 SolidWorks CAD File

CUSTOMER DRAWING

8 7 6 5 4 3 2 1



- NOTES:**
1. REEL BEGINS AND ENDS WITH APPROXIMATELY 10 EMPTY CAVITIES.
 2. EACH REEL TO HOLD 1,000 PARTS TOTAL.
 3. EACH BOX CONTAINS 11 REELS TOTAL FOR 11,000 PARTS PER BOX.
 4. THIS PART IS RoHS COMPLIANT.

CUSTOMER DRAWING

					THIS DRAWING DESCRIBES A DESIGN CONSIDERED PROPRIETARY IN NATURE, DEVELOPED AND MANUFACTURED BY SWITCHCRAFT INC. AND IS RELEASED ON A CONFIDENTIAL BASIS FOR IDENTIFICATION PURPOSES ONLY.						
					SIZE	WIDTH	MULT	LBS/M	TEMPER		
					UNLESS OTHERWISE SPECIFIED			FINISH			
					1. ALL DIMENSIONS IN INCHES [mm]			MATERIAL			
					- TWO PLACE DECIMALS ±0.02 [0.5]			SPEC No.			
					- THREE PLACE DECIMALS ±0.005 [0.13]			SCALE			
					FIRST USED ON			1:4			
					DATE DRAWN	BY	CHKD	APVD	Switchcraft®		
					08/30/22	TS	TS	TS			
A	28548	10/26/22	PC	TJK					SHEET 2 OF 2		
REV	ECO NUMBER	DATE	BY	APVD	NAME				PART No.	REV	
REVISIONS					DO NOT SCALE DRAWING				RIGHT ANGLE SMT	RAHPCUC31AUTR	A
					USB TYPE-C® 3.1, RoHS						

X-ON Electronics

Largest Supplier of Electrical and Electronic Components

Click to view similar products for [USB Connectors](#) category:

Click to view products by [Switchcraft](#) manufacturer:

Other Similar products are found below :

[950](#) [A-USB A-LP-SMT-C](#) [A-USB B-TOP-C](#) [MUSBD11135](#) [17-200721](#) [217450-1](#) [KMBVX-TH-5S-B30](#) [KUSBX-AS2N-W](#) [KUSBX-SMT2AP1S-W30](#) [935](#) [957](#) [30-498-6](#) [SK-60A-2](#) [1734082-1](#) [30-470](#) [30-489](#) [30-541](#) [MIKROE-1451](#) [USBFTVSCCG](#) [1-1734084-2](#) [10135326-001LF](#) [USB3FTV7APEG](#) [4198](#) [1310-1023-02](#) [690-024-633-031](#) [UB-20PMFP-LC7001](#) [17-200011](#) [UB-20AFMM-LL7A01](#) [1040870124](#) [CAP-WCCMLPB1](#) [2274475-3](#) [UB-20BMFA-SL8001](#) [UB-20BFM-SA7A02](#) [UB-20BFM-SA7A05](#) [914-614A2025S10200](#) [MUSBR-AHD2-M41-SK](#) [ZX40-B-5S-1500-STDA\(30\)](#) [GSB3116344HR](#) [USB3FTV2SAZNF459](#) [USBF21GSCC](#) [U221-041N-1WVS62-F5D](#) [HYCW153-USBD05-500B](#) [HYCW219-USBD05-075B](#) [HYCW148-USBD05-117B](#) [HYCW149-USBD05-740B](#) [HYCW204-USBD05-108B](#) [HYCW214-USBA04-113B](#) [HYCW213-USBA04-113B](#) [UB-20AMFM-SL7A01](#) [KMMX-BSMT35S-1-B30TR](#)