

RECOMMENDED P.C.B. LAYOUT (COMPONENT SIDE)
SCALE 8 : 1

- NOTES:
- MATERIALS:
HOUSING - THERMOPLASTIC, BLACK
CONTACTS - COPPER ALLOY, GOLD PLATED
MID PLATE - STAINLESS STEEL
SHELL - STAINLESS STEEL, NICKEL PLATED
 - ELECTRICAL CHARACTERISTICS:
CONTACT RESISTANCE - 40mΩ MAX
INSULATION RESISTANCE - 100MΩ MAX
VOLTAGE AND CURRENT RATING - 5A, 20V DC
DIELECTRIC WITHSTAND VOLTAGE - 100V AC FOR 1 MINUTE
 - CYCLE LIFE - 1,000 CYCLES.
 - THIS PART IS RoHS COMPLIANT.

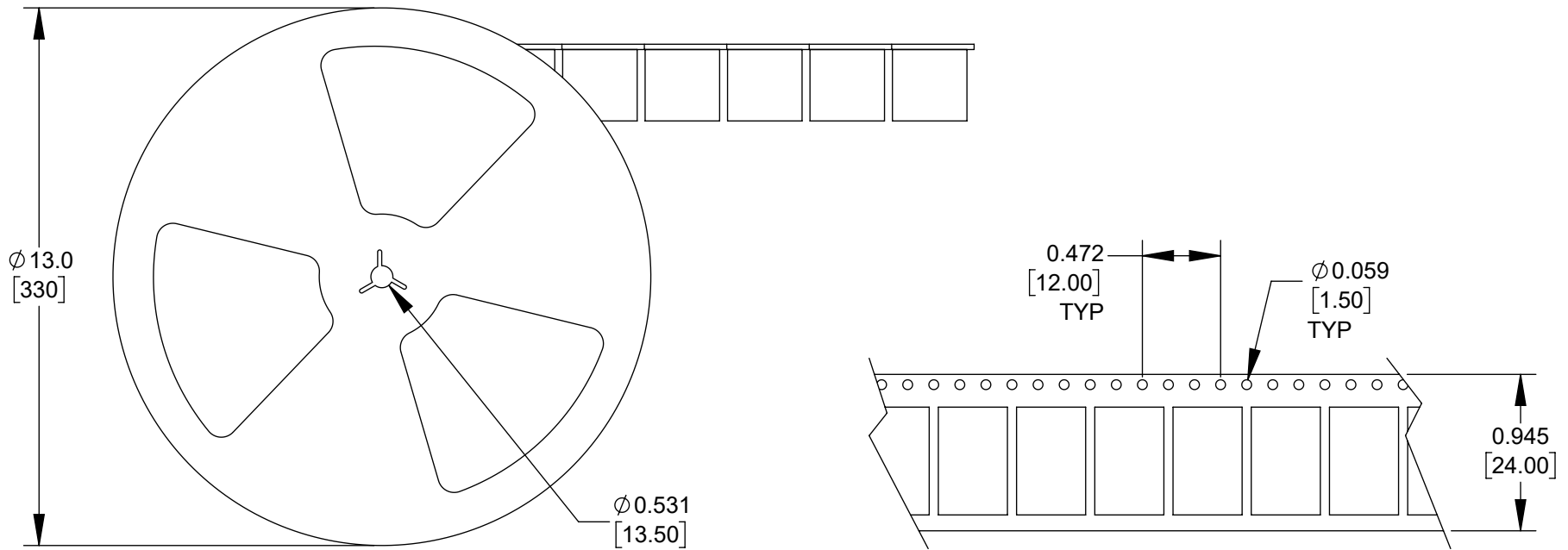
CUSTOMER DRAWING

UNLESS OTHERWISE SPECIFIED					THIS DRAWING DESCRIBES A DESIGN CONSIDERED PROPRIETARY IN NATURE, DEVELOPED AND MANUFACTURED BY SWITCHCRAFT INC. AND IS RELEASED ON A CONFIDENTIAL BASIS FOR IDENTIFICATION PURPOSES ONLY.				
1. ALL DIMENSIONS IN INCHES [mm]					SIZE	WIDTH	MULT	LBS/M	TEMPER
- TWO PLACE DECIMALS ±0.02 [0.5]					FINISH				MATERIAL
- THREE PLACE DECIMALS ±0.008 [0.20]					SPEC No.				SPEC No.
A					FIRST USED ON				SCALE
REV					DATE DRAWN	BY	CHKD	APVD	8:1
ECO NUMBER					8/25/22	MK	MK	MK	
DATE					10/26/22		10/27/22	10/27/22	
BY					NAME				PART No.
APVD					RIGHT ANGLE				RAHUC31AUTR
REVISIONS					USB TYPE-C® 3.1, RoHS				REV
DO NOT SCALE DRAWING					SolidWorks CAD File				A



SHEET 1 OF 2

REV A



NOTES:

1. REEL BEGINS AND ENDS WITH APPROXIMATELY 14 EMPTY CAVITIES.
2. EACH REEL TO HOLD 800 PARTS TOTAL.
3. EACH BOX CONTAINS 9 REELS TOTAL FOR 7200 PARTS PER BOX.
4. THIS PART IS RoHS COMPLIANT.

CUSTOMER DRAWING

					THIS DRAWING DESCRIBES A DESIGN CONSIDERED PROPRIETARY IN NATURE, DEVELOPED AND MANUFACTURED BY SWITCHCRAFT INC. AND IS RELEASED ON A CONFIDENTIAL BASIS FOR IDENTIFICATION PURPOSES ONLY.				
					SIZE	WIDTH	MULT	LBS/M	TEMPER
					UNLESS OTHERWISE SPECIFIED			FINISH	
					1. ALL DIMENSIONS IN INCHES [mm]			MATERIAL	
					- TWO PLACE DECIMALS ±0.02 [0.5]			SPEC No.	
					- THREE PLACE DECIMALS ±0.008 [0.20]			Switchcraft®	
					FIRST USED ON		SCALE		SHEET 2 OF 2
					-		1:4		
A	28548	10/26/22	PC	TJK	DATE DRAWN	BY	CHKD	APVD	PART No. RAHUC31AUTR
REV	ECO NUMBER	DATE	BY	APVD	08/30/22	TS	TS	TS	
REVISIONS					DO NOT SCALE DRAWING				
					NAME RIGHT ANGLE USB TYPE-C® 3.1, RoHS				



X-ON Electronics

Largest Supplier of Electrical and Electronic Components

Click to view similar products for [USB Connectors](#) category:

Click to view products by [Switchcraft](#) manufacturer:

Other Similar products are found below :

[950](#) [A-USB A-LP-SMT-C](#) [A-USB B-TOP-C](#) [MUSBD11135](#) [17-200721](#) [217450-1](#) [KMBVX-TH-5S-B30](#) [KUSBX-AS2N-W](#) [KUSBX-SMT2AP1S-W30](#) [935](#) [957](#) [30-498-6](#) [SK-60A-2](#) [1734082-1](#) [30-470](#) [30-489](#) [30-541](#) [MIKROE-1451](#) [USBFTVSCCG](#) [1-1734084-2](#) [10135326-001LF](#) [USB3FTV7APEG](#) [4198](#) [1310-1023-02](#) [690-024-633-031](#) [UB-20PMFP-LC7001](#) [17-200011](#) [UB-20AFMM-LL7A01](#) [1040870124](#) [CAP-WCCMLPB1](#) [2274475-3](#) [UB-20BMFA-SL8001](#) [UB-20BFM-SA7A02](#) [UB-20BFM-SA7A05](#) [914-614A2025S10200](#) [MUSBR-AHD2-M41-SK](#) [ZX40-B-5S-1500-STDA\(30\)](#) [GSB3116344HR](#) [USB3FTV2SAZNF459](#) [USBF21GSCC](#) [U221-041N-1WVS62-F5D](#) [HYCW153-USBD05-500B](#) [HYCW219-USBD05-075B](#) [HYCW148-USBD05-117B](#) [HYCW149-USBD05-740B](#) [HYCW204-USBD05-108B](#) [HYCW214-USBA04-113B](#) [HYCW213-USBA04-113B](#) [UB-20AMFM-SL7A01](#) [KMMX-BSMT35S-1-B30TR](#)