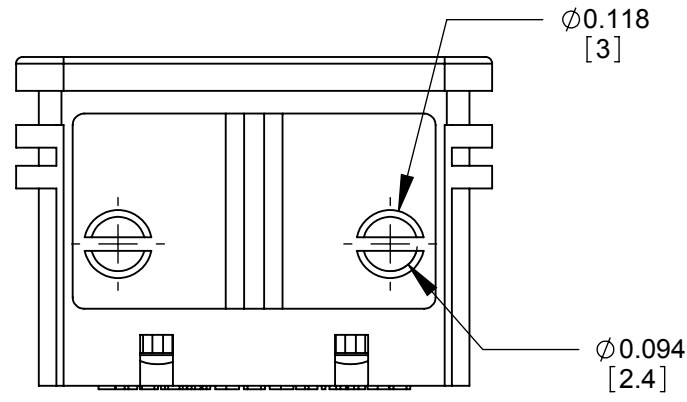
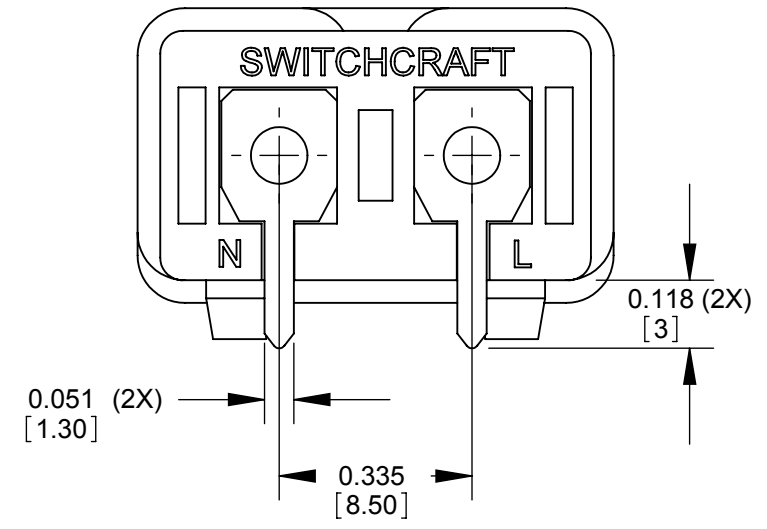
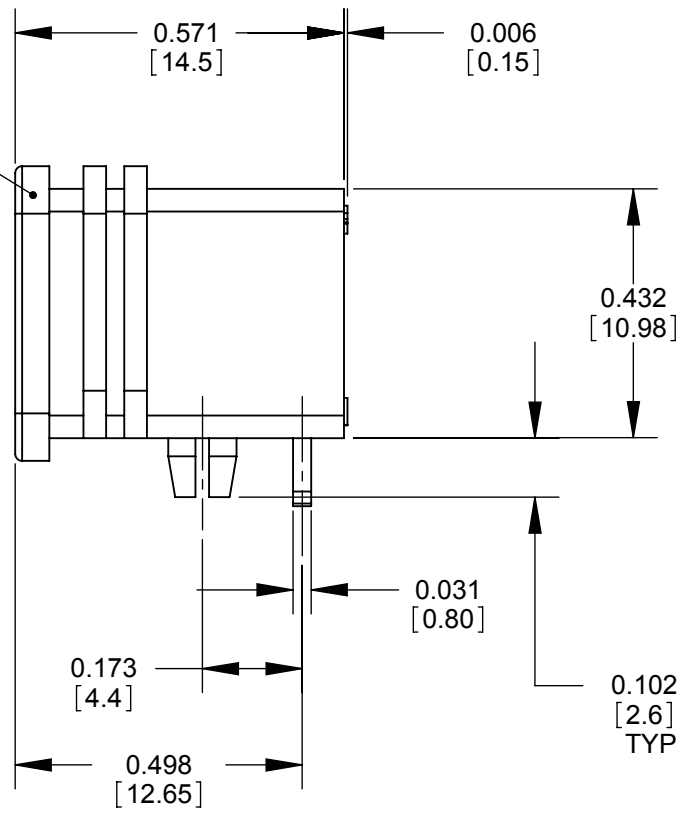
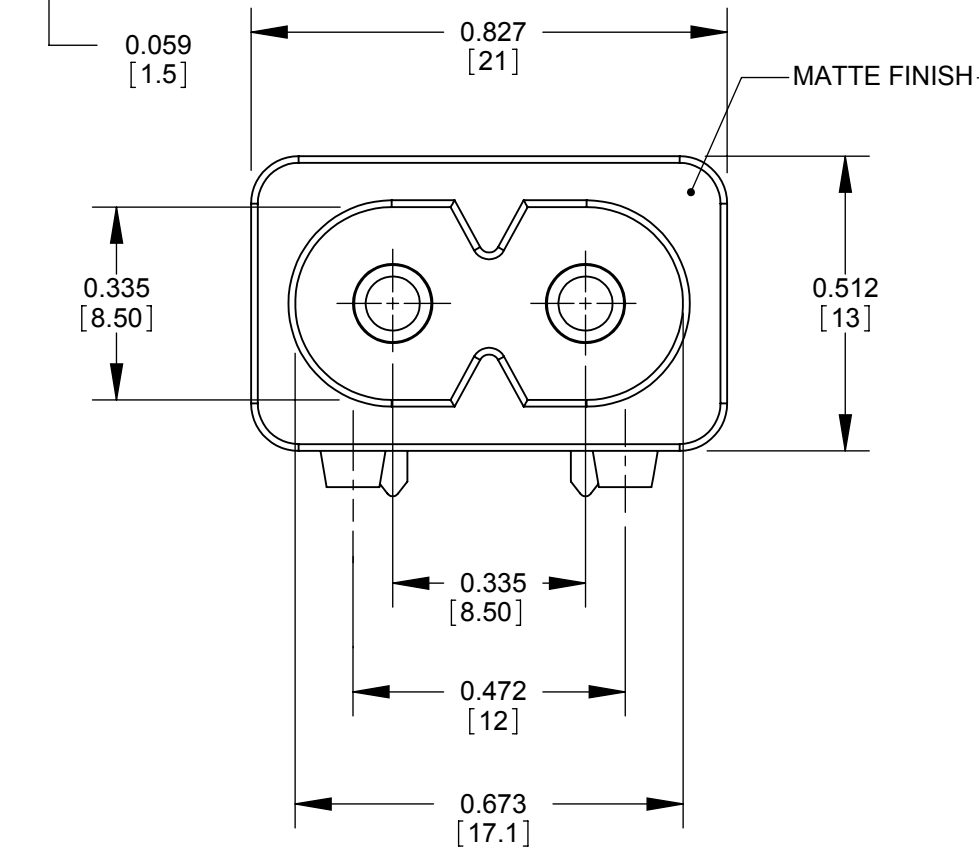


- NOTES:
1. ALL DIMENSIONS SHOWN ARE FOR REFERENCE ONLY.
  2. SPECIFICATIONS:  
CURRENT RATING: 5A, UL AND CSA  
NOMINAL VOLTAGE: 250V  
TEMPERATURE RANGE: -55°C TO 65°C  
DIELECTRIC STRENGTH: 2000V @ 1 MINUTE
  3. MATERIALS:  
HOUSING: BLACK, MOLDED THERMOPLASTIC UL 94V-0  
MALE PINS: COPPER ALLOY, NICKEL PLATED  
PC TERMINALS: COPPER ALLOY, TIN PLATED (LEAD FREE)
  4. THIS PRODUCT IS RoHS COMPLIANT.



**CUSTOMER DRAWING**

REV	ECO NUMBER	DATE	BY	APVD
B	27381	10-10-14	TJK	TJK
A	26126	9-12-06	RF	TJK

REVISIONS

UNLESS OTHERWISE SPECIFIED

1. ALL DIMENSIONS IN INCHES

- TWO PLACE DECIMALS ±0.02

- THREE PLACE DECIMALS ±0.005

**DO NOT SCALE DRAWING**

THIS DRAWING DESCRIBES A DESIGN CONSIDERED PROPRIETARY IN NATURE, DEVELOPED AND MANUFACTURED BY SWITCHCRAFT INC. AND IS RELEASED ON A CONFIDENTIAL BASIS FOR IDENTIFICATION PURPOSES ONLY.									
SIZE	WIDTH	MULT	LBS/M	TEMPER					
FINISH					MATERIAL				
SPEC No.					SPEC No.				
FIRST USED ON				SCALE 3:1					
DATE DRAWN	BY	CHKD	APVD	Switchcraft®					
9-12-06	RF	RF	TJK	SHEET 1 OF 1					
NAME				PART No.		REV			
2 PIN MALE RECEPTACLE, RoHS				RAPC322X		B			

## X-ON Electronics

Largest Supplier of Electrical and Electronic Components

*Click to view similar products for [AC Power Entry Modules](#) category:*

*Click to view products by [Switchcraft](#) manufacturer:*

Other Similar products are found below :

[0098.0050](#) [6167.0002](#) [6609100-2](#) [7-6609955-2](#) [FKI2-50-6/M5](#) [FN361-6-06](#) [FN389-4-22](#) [FN9226B-6-02](#) [FN9233S1-10-06](#) [FN9233S1-8-06](#)  
[FN9233S1B-8-06](#) [FN9233S1R-1-06](#) [FN9233S1R-12-06](#) [FN9233SB-1-06](#) [FN9233SB-12-06](#) [FN9233SB-8-06](#) [FN9233SR-10-06](#) [FN9244B-15-06HI](#) [FN9244EB-3-06](#) [FN9244EB-8-06](#) [FN9244ER-15-06](#) [FN9244ER-8-06](#) [FN9244ES1-8-06](#) [FN9244ESB-8-06](#) [FN9244R-12-06](#)  
[FN9244S1-12-06](#) [FN9244S1R-3-06](#) [FN9244SB-8-06](#) [FN9244SR-6-06](#) [FN9244U-3-06](#) [FN9244U-8-06](#) [8-6609940-2](#) [PE00SSSXB](#) [Fuse-H-EUR-1](#) [Fuse-H-USA-1](#) [PM00XD000](#) [A-0701-HT-H](#) [15EJMS8](#) [1-6609941-2](#) [200JM6-2](#) [CA121003-6](#) [SK-1015\(F1-5\)](#) [161-R3015-E](#) [1-6609153-2](#) [FN323-1-05](#) [FN9233B-8-06](#) [FN9233EB-1-06](#) [FN9233ES1R-10-06](#) [FN9233R-12-06](#) [FN9233S-10-06](#)